

# ALLEGRO W PRF LED

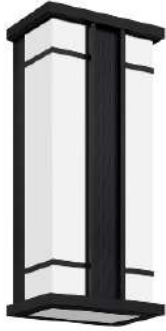
Architectural Outdoor



PROJECT:	
TYPE:	
PO#:	QTY:
COMMENTS:	

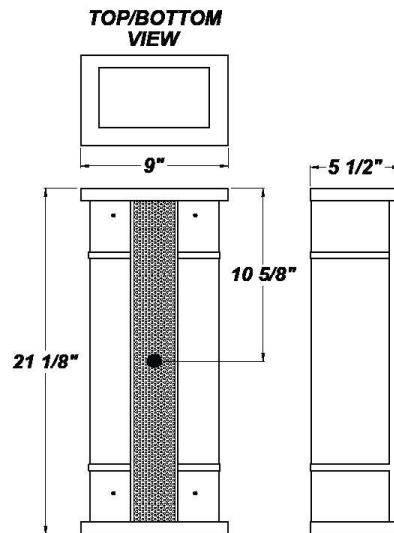
## FEATURES

- Aluminum Housing w/ Textured Black Polyester Powder Coat Finish
- Aluminum End Caps and Trim Bars w/ Textured Black Polyester Powder Coat Finish
- Aluminum Mount Pan w/ Hi-Reflectance White Powder Coat Finish
- Luminous White Acrylic Wrap-Around Diffuser
- Luminous White Acrylic Top and Bottom Lens Panels
- Mounts Over 4" Junction Box w/ Easy-hang Wall Mounting Plate (Included)
- Operating Temperature Range for EB (0° - 50°C)
- CSA Approved For Wet Location For Vertical Mounting
- LED Light Fixture
- Mounting Hardware Included



## LINE DRAWING

LINE DRAWING NOT TO SCALE



## FINISHES

Antique Copper



Antique Silver



Bronze Mist



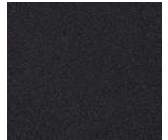
Matte Silver



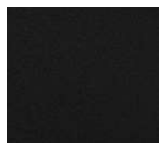
Sand



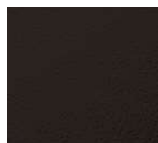
Swedish Steel



Textured Black



Textured Bronze



Textured White



For RAL Colors & Custom Match - Contact Teron Lighting Inc.

# ALLEGRO W PRF LED

Architectural Outdoor



Fixture Core

PROJECT:	
TYPE:	
PO#:	QTY:
COMMENTS:	

PRODUCT CODE	SOURCE/WATTAGE	VOLTAGE	DIMMING DRIVER
<b>ALLW</b> - Allegro W	<b>L19.0-ZE700</b> - 19W @ 700mA 0-10V Dimming Driver <b>L24.0-ZE875</b> - 24W @ 875mA 0-10V Dimming Driver <b>L31.0-ZE1150</b> - 31W @ 1150mA 0-10V Dimming Driver	<b>120V</b> <b>277V</b> (50 / 60Hz)	<b>Not Applicable</b>
ORDER INFO			
ALLW	L19.0-ZE700	120V	Not Applicable

Example ^ (may not represent a manufacturable product)

Aesthetics & Options

TRIM	FINISH	COLOR TEMP	OPTIONS
<b>PRF</b>	<b>AC</b> - Antique Copper <b>AS</b> - Antique Silver <b>BT</b> - Bronze Mist <b>SM</b> - Matte Silver <b>SN</b> - Sand <b>SW</b> - Swedish Steel <b>TB</b> - Textured Black (Standard) <b>BZ</b> - Textured Bronze <b>TW</b> - Textured White	<b>30K</b> - 3000K Color Temp <b>35K</b> - 3500K Color Temp <b>40K</b> - 4000K Color Temp	<b>F</b> - Fused <b>TP</b> - Tamper Resistant Screws <b>SPD</b> - Surge Protection Device
ORDER INFO			
PRF	AC	30K	F

Example ^ (may not represent a manufacturable product)

PROD	SOURCE	30K SPECS			
<b>ALLW</b>	L19.0	<ul style="list-style-type: none"> <li>30K - 3000K Color Temp</li> <li>2489 LED Source Lumens</li> <li>113 LED Source Lumens Per Watt</li> </ul>			
	L24.0	<ul style="list-style-type: none"> <li>30K - 3000K Color Temp</li> <li>3180 LED Source Lumens</li> <li>106 LED Source Lumens Per Watt</li> </ul>			
	L31.0	<ul style="list-style-type: none"> <li>30K - 3000K Color Temp</li> <li>4125 LED Source Lumens</li> <li>106 LED Source Lumens Per Watt</li> </ul>			

REPLACEMENT PART	PART NO	NOTES
White Acrylic Lens Assembly	9801460	Operating Temperature Range for EB (0° - 50°C)

Don't see the configuration you are looking for?  
Call us today at (513) 858-6004



**TERONLIGHTING.COM**  
 33 DONALD DR, FAIRFIELD, OH 45014  
 P: 513.858.6004 F: 513.858.6038  
 E: SALES@TERONLIGHT.COM



We reserve the right to revise the design components of any product due to parts availability or change in UL standards, without assuming any obligation or liability to modify any products previously manufactured, and without notice.

SEND CUT-SHEET

# ALLEGRO W PRF LED

Architectural Outdoor



Fixture Core

PROJECT:	
TYPE:	
PO#:	QTY:
COMMENTS:	

PRODUCT CODE	SOURCE/WATTAGE	VOLTAGE	DIMMING DRIVER
<b>ALLW</b> - Allegro W	<b>L38.0-ZE1400</b> - 38W @ 1400mA 0-10V Dimming Driver <b>L38.0-TE1400</b> - 38W @ 1400mA ELV Dimming Driver <b>L36.0-ZE1100</b> - 36W @ 1100mA 0-10V Dimming Driver	<b>120V</b> <b>277V</b> (50 / 60Hz)	<b>Not Applicable</b>
ORDER INFO			
ALLW	L38.0-ZE1400	120V	Not Applicable

Example ^ (may not represent a manufacturable product)

Aesthetics & Options

TRIM	FINISH	COLOR TEMP	OPTIONS
<b>Not Applicable</b>	<b>AC</b> - Antique Copper <b>AS</b> - Antique Silver <b>BT</b> - Bronze Mist <b>SM</b> - Matte Silver <b>SN</b> - Sand <b>SW</b> - Swedish Steel <b>TB</b> - Textured Black (Standard) <b>BZ</b> - Textured Bronze <b>TW</b> - Textured White	<b>30K</b> - 3000K Color Temp <b>35K</b> - 3500K Color Temp <b>40K</b> - 4000K Color Temp	<b>EB</b> - Emergency Battery (L36.0 Only) <b>F</b> - Fused <b>TP</b> - Tamper Resistant Screws <b>SPD</b> - Surge Protection Device
ORDER INFO			
Not Applicable	AC	30K	EB

Example ^ (may not represent a manufacturable product)

PROD	SOURCE	30K SPECS			
<b>ALLW</b>	L36.0	<ul style="list-style-type: none"> <li>30K - 3000K Color Temp</li> <li>5465 LED Source Lumens</li> <li>151.8 LED Source Lumens per Watt</li> </ul>			
	L38.0	<ul style="list-style-type: none"> <li>30K - 3000K Color Temp</li> <li>5208 LED Source Lumens</li> <li>109 LED Source Lumens Per Watt</li> </ul>			

REPLACEMENT PART	PART NO	NOTES
White Acrylic Lens Assembly	9801460	Operating Temperature Range for EB (0° - 50°C)

Don't see the configuration you are looking for?  
Call us today at (513) 858-6004



**TERONLIGHTING.COM**  
 33 DONALD DR, FAIRFIELD, OH 45014  
 P: 513.858.6004 F: 513.858.6038  
 E: SALES@TERONLIGHT.COM



We reserve the right to revise the design components of any product due to parts availability or change in UL standards, without assuming any obligation or liability to modify any products previously manufactured, and without notice.

SEND CUT-SHEET