

# BIRDIE POLY OV GRL LED

Architectural Outdoor



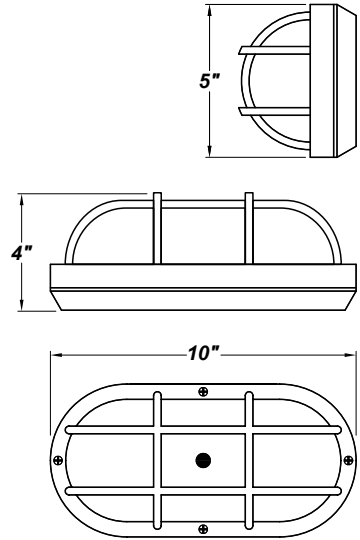
PROJECT:	
TYPE:	
PO#:	QTY:
COMMENTS:	

## FEATURES

- Aluminum Back Pan w/ Powder Coat Finish
- Ambient Operating Temperature -40° C (-40° F) to 40° C (105° F)
- Constant Current Universal Driver
- Frosted White Polycarbonate Lens
- LED Light Fixture
- Mounting Hardware Included
- Mounts Directly to 4" Junction Box (By Others)
- Thermal Protected LED Array
- UL Class 2 Driver - Power Factor >.90
- UL Listed Wet Location
- Vandal Resistant
- Wall or Ceiling Mount
- White or Black Polycarbonate Housing and Fascia

## LINE DRAWING

LINE DRAWING NOT TO SCALE



## FINISHES

For RAL Colors  
& Custom  
Match -  
**Contact Teron  
Lighting Inc.**

# BIRDIE POLY OV GRL LED

Architectural Outdoor



Fixture Core

PROJECT:	
TYPE:	
PO#:	QTY:
COMMENTS:	

PRODUCT CODE	SOURCE/WATTAGE	VOLTAGE	DIMMING DRIVER
BEO - Bidie Poly OV	L10.0 - 11.3W Constant Current Driver L13.0 - 13.0W @ 900mA (120V Only)	120V-277V (50 / 60Hz) 120V (50 / 60Hz)	Not Applicable
ORDER INFO			
BEO	L10.0	120V	Not Applicable

Example ^ (may not represent a manufacturable product)

Aesthetics & Options

TRIM	FINISH	COLOR TEMP	OPTIONS
GRL	BK - Black Polycarbonate WH - White Polycarbonate (Standard)	40K - 4000K Color Temp	PCL - Photocell (120V Only) TP - Tamper Resistant Screws
ORDER INFO			
GRL	BK	40K	PCL

Example ^ (may not represent a manufacturable product)

PROD	SOURCE	40K SPECS			
BEO	L10.0	<ul style="list-style-type: none"> <li>40K - 4000K Color Temp</li> <li>912 LED Source Lumens</li> <li>80 LED Source Lumens Per Watt</li> </ul>			
	L13.0	<ul style="list-style-type: none"> <li>40K - 4000K Color Temp</li> <li>1280 LED Source Lumens</li> <li>88 LED Source Lumens Per Watt</li> </ul>			

REPLACEMENT PART	PART NO	NOTES
White Polycarbonate Lens	3400660	

Don't see the configuration you are looking for?  
Call us today at (513) 858-6004



TERONLIGHTING.COM  
33 DONALD DR, FAIRFIELD, OH 45014  
P: 513.858.6004 F: 513.858.6038  
E: SALES@TERONLIGHT.COM



We reserve the right to revise the design components of any product due to parts availability or change in UL standards, without assuming any obligation or liability to modify any products previously manufactured, and without notice.