

# HERITAGE ROUND CRS LED

Architectural Outdoor



PROJECT:	
TYPE:	
PO#:	QTY:
COMMENTS:	

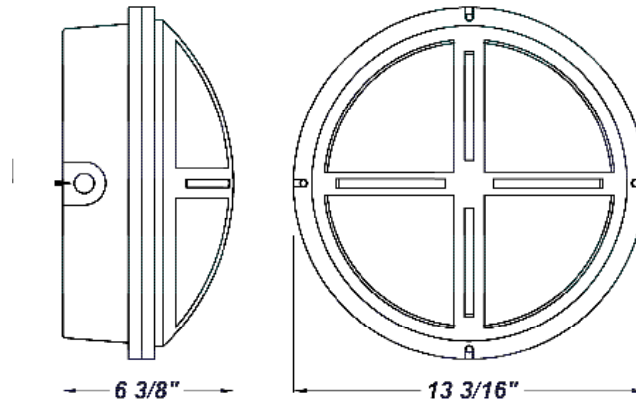
## FEATURES

- Aluminum Reflector Plate w/ Hi-Reflectance White
- CSA Listed Wet Location For Wall or Ceiling Mount
- Die-Cast, Marine Grade Aluminum Housing
- EPMD Ribbed / Foam Rubber Gasketing
- Injection Molded Polycarbonate Fascia w/ Weep Holes
- Integral Emergency Driver Available - Wall Mount Only and (120-277V Only)
- Junction Box Pattern on Housing For Easy Mounting
- Powder Coat Finish
- Surge Protector
- Translucent White Injection Molded
- Thermal Compensation Technology For the L24.5 Ensures Longer LED Lifetime, Which is Ideal For Fixtures Being Placed in Area w/ Fluctuating or Higher Ambient Temperatures
- UV-Stabilizing Polycarbonate Diffuser
- 120V - 277V, (347V Only Available on L32.0)

## LINE DRAWING

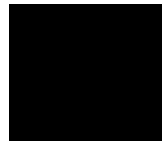
LINE DRAWING NOT TO SCALE

**0.75" CONDUIT ENTRIES**  
**— 4 TOTAL - SPACED 90 DEGREES**  
**AROUND SIDE OF HOUSING**

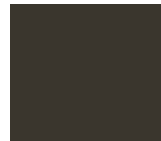


## FINISHES

Matte Black



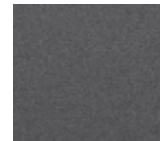
Matte Bronze



Matte White



Matte Titanium



For RAL Colors  
 & Custom  
 Match -  
 Contact Teron  
 Lighting Inc.

# HERITAGE ROUND CRS LED

Architectural Outdoor



Fixture Core

PROJECT:	
TYPE:	
PO#:	QTY:
COMMENTS:	

PRODUCT CODE	SOURCE/WATTAGE	VOLTAGE	DIMMING DRIVER
HRT - Heritage Round	L18.4-12VDC - 18.4W @ 12V Direct Current Driver (6) 3.066W ThermAdjust LED Strips L20.5-ZE640 - (60) LED Array @ Line Voltage 4-Wire Dimming Driver (Dimmable 0 - 10V)	100 - 277V (50 / 60Hz)	Not Applicable
ORDER INFO			
HRT	L18.4-12VDC	100 - 277V	Not Applicable

Example ^ (may not represent a manufacturable product)

Aesthetics & Options

TRIM	FINISH	COLOR TEMP	OPTIONS
CRS	BK - Matte Black BZ - Matte Bronze WH - Matte White TI - Matte Titanium	30K - 3000K Color Temp 35K - 3500K Color Temp 40K - 4000K Color Temp 50K - 5000K Color Temp	EB51 - 5.1W Emergency Driver F - Fused FRL- Frosted Ribbed Lens PCL120 - 120V Photocell PCL277 - 277V Photocell TP - Tamper Resistant Screws SPD - Surge Protection Device
ORDER INFO			
CRS	BK	30K	EB51

Example ^ (may not represent a manufacturable product)

PROD	SOURCE	30K SPECS			
HRT	L18.4	<ul style="list-style-type: none"> <li>• 30K - 3000K Color Temp</li> <li>• 1896 LED Source Lumens</li> <li>• 103 LED Source Lumens Per Watt</li> </ul>			
	L20.5	<ul style="list-style-type: none"> <li>• 30K - 3000K Color Temp</li> <li>• 3100 LED Source Lumens</li> <li>• 151 LED Source Lumens Per Watt</li> </ul>			

REPLACEMENT PART	PART NO	NOTES
White Ribbed Polycarbonate Diffuser	3408360	EB51 is wall mount only
Frosted Ribbed Polycarbonate Diffuser	3408362	

Don't see the configuration you are looking for?  
Call us today at (513) 858-6004



TERONLIGHTING.COM  
33 DONALD DR, FAIRFIELD, OH 45014  
P: 513.858.6004 F: 513.858.6038  
E: SALES@TERONLIGHT.COM



We reserve the right to revise the design components of any product due to parts availability or change in UL standards, without assuming any obligation or liability to modify any products previously manufactured, and without notice.

# HERITAGE ROUND CRS LED

Architectural Outdoor



Fixture Core

PROJECT:	
TYPE:	
PO#:	QTY:
COMMENTS:	

PRODUCT CODE	SOURCE/WATTAGE	VOLTAGE	DIMMING DRIVER
HRT - Heritage Round	L24.5 - 24.5W @ 12V Direct Current Driver (8) 3.066W ThermAdjust LED Strips L30.0-ZE1000 - (60) LED Array @ Line Voltage 4-Wire Dimming Driver (Dimmable 0 - 10V)	100 - 277V (50 / 60Hz)	Not Applicable
ORDER INFO			
HRT	L24.5	100 - 277V	Not Applicable

Example ^ (may not represent a manufacturable product)

Aesthetics & Options

TRIM	FINISH	COLOR TEMP	OPTIONS
CRS	BK - Matte Black BZ - Matte Bronze WH - Matte White TI - Matte Titanium	30K - 3000K Color Temp 35K - 3500K Color Temp 40K - 4000K Color Temp 50K - 5000K Color Temp	EB51 - 5.1W Emergency Driver F - Fused FRL- Frosted Ribbed Lens PCL120 - 120V Photocell PCL277 - 277V Photocell TP - Tamper Resistant Screws SPD - Surge Protection Device
ORDER INFO			
CRS	BK	30K	EB51

Example ^ (may not represent a manufacturable product)

PROD	SOURCE	30K SPECS				
HRT	L24.5	<ul style="list-style-type: none"> <li>• 30K - 3000K Color Temp</li> <li>• 2528 LED Source Lumens</li> <li>• 103.2 LED Source Lumens Per Watt</li> </ul>				
	L30.0	<ul style="list-style-type: none"> <li>• 30K - 3000K Color Temp</li> <li>• 4522 LED Source Lumens</li> <li>• 134 LED Source Lumens Per Watt</li> </ul>				

REPLACEMENT PART	PART NO	NOTES
White Ribbed Polycarbonate Diffuser	3408360	EB51 is wall mount only
Frosted Ribbed Polycarbonate Diffuser	3408362	

Don't see the configuration you are looking for?  
Call us today at (513) 858-6004



TERONLIGHTING.COM  
33 DONALD DR, FAIRFIELD, OH 45014  
P: 513.858.6004 F: 513.858.6038  
E: SALES@TERONLIGHT.COM



We reserve the right to revise the design components of any product due to parts availability or change in UL standards, without assuming any obligation or liability to modify any products previously manufactured, and without notice.

# HERITAGE ROUND CRS LED

Architectural Outdoor



Fixture Core

PROJECT:	
TYPE:	
PO#:	QTY:
COMMENTS:	

PRODUCT CODE	SOURCE/WATTAGE	VOLTAGE	DIMMING DRIVER
HRT - Heritage Round	L32.0-ZE1050 - (80) LED Array @ Line Voltage 4-Wire Dimming Driver (Dimmable 0 - 10V)	347V (60Hz)	0-10V Dimming
ORDER INFO			
HRT	L32.0	347V	Not Applicable

Example ^ (may not represent a manufacturable product)

Aesthetics & Options

TRIM	FINISH	COLOR TEMP	OPTIONS
CRS	BK - Matte Black BZ - Matte Bronze WH - Matte White TI - Matte Titanium	30K - 3000K Color Temp 35K - 3500K Color Temp 40K - 4000K Color Temp 50K - 5000K Color Temp	FRL- Frosted Ribbed Lens TP - Tamper Resistant Screws SPD - Surge Protection Device
ORDER INFO			
CRS	BK	30K	FRL

Example ^ (may not represent a manufacturable product)

PROD	SOURCE	30K SPECS			
HRT	L32.0	<ul style="list-style-type: none"> <li>• 30K - 3000K Color Temp</li> <li>• 5098 LED Source Lumens</li> <li>• 159.3 LED Source Lumens Per Watt</li> </ul>			

REPLACEMENT PART	PART NO	NOTES
White Ribbed Polycarbonate Diffuser	3408360	Don't see the configuration you are looking for? Call us today at (513) 858-6004
Frosted Ribbed Polycarbonate Diffuser	3408362	



TERONLIGHTING.COM  
 33 DONALD DR, FAIRFIELD, OH 45014  
 P: 513.858.6004 F: 513.858.6038  
 E: SALES@TERONLIGHT.COM



We reserve the right to revise the design components of any product due to parts availability or change in UL standards, without assuming any obligation or liability to modify any products previously manufactured, and without notice.