

# SOLID SEMI-FLUSH MOUNT

Architectural Indoor



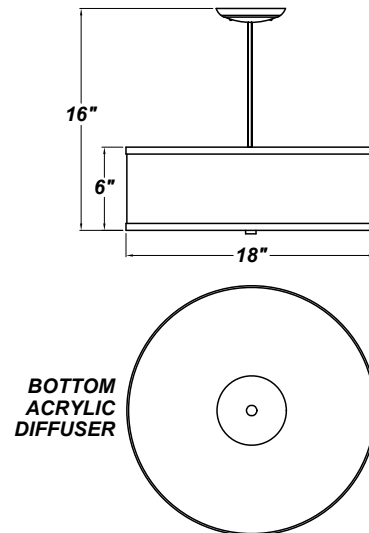
PROJECT:	
TYPE:	
PO#:	QTY:
COMMENTS:	

## FEATURES

- 5" Cast Zinc Canopy
- Steel Trim w/ Satin Nickel Finish
- Acrylic Diffuser
- 2 Medium Base Socket For Use With Incandescent, CFL, or LED Screw-In Lamp (Lamp Not Included)
- GU Base Socket Adaptor Available
- Dry Location
- Mounting Hardware Included

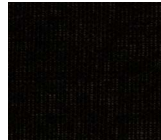
## LINE DRAWING

LINE DRAWING NOT TO SCALE



## FABRIC

Black Butcher Linen



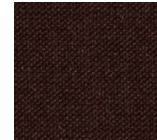
Buff Odyssey



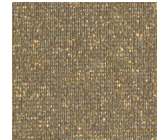
Camelot Off White Hardback



Chocolate Silk Shantung



Gold Organza



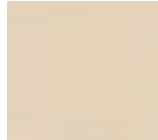
Natural Bombay



Off White Butcher Linen



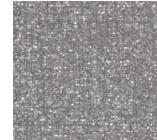
Oyster Silksheen



Red Butcher Linen



Silver Organza



White Butcher Linen



# SOLID SEMI-FLUSH MOUNT

Architectural Indoor



Fixture Core

PROJECT:	
TYPE:	
PO#:	QTY:
COMMENTS:	

PRODUCT CODE	STYLE	FINISH
SF-6790 - Semi-Flush & Hardware	103 - 18" Solid Semi-Flush Mount	OB - Oil Brushed Bronze SN - Satin Nickel (Standard)
ORDER INFO		
SF-6790	103	OB

Example ^ (may not represent a manufacturable product)

Aesthetics & Options

INNER/TOP SHADE	OUTER/BOTTOM SHADE	OPTIONS
<b>115-62</b> - Black Butcher Linen <b>146-13</b> - Buff Odyssey <b>180-05</b> - Camelot White Hardback <b>174-25</b> - Chocolate Silk Shantung <b>151-56</b> - Gold Organza <b>160-04</b> - Natural Bombay (Standard) <b>115-05</b> - Off White Butcher Linen <b>136-33</b> - Oyster Silksheen <b>115-96</b> - Red Butcher Linen <b>151-97</b> - Silver Organza <b>115-01</b> - White Butcher Linen	<b>Not Applicable</b>	<b>GUA</b> - GU-Base Socket Adaptor (120V Only)
ORDER INFO		
115-62	Not Applicable	GUA

Example ^ (may not represent a manufacturable product)

REPLACEMENT PART	PART NO	NOTES
		Use Lamping up to: 100W Incandescent / 27W CFL / 19W LED          Don't see the configuration you are looking for? Call us today at (513) 858-6004



**TERONLIGHTING.COM**  
 33 DONALD DR, FAIRFIELD, OH 45014  
 P: 513.858.6004 F: 513.858.6038  
 E: SALES@TERONLIGHT.COM



We reserve the right to revise the design components of any product due to parts availability or change in UL standards, without assuming any obligation or liability to modify any products previously manufactured, and without notice.