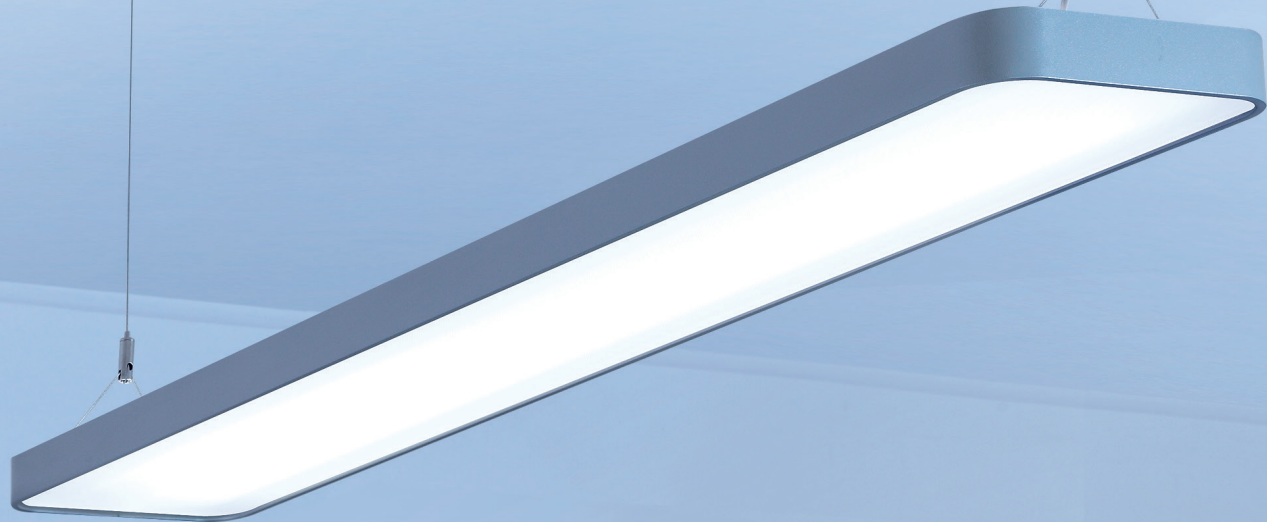


# CALEO-P1/G1



## EN

### Caleo-P1/G1

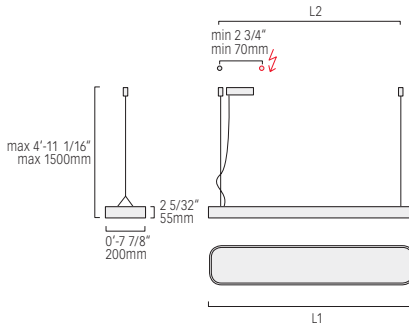
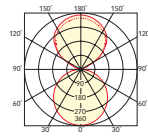
- Pendant luminaire
- Optional: Direct light distribution or direct-/ indirect light distribution with topside dust cover
- Opal diffuser made of frosted methacrylate for enhanced light transmission and uniform illumination
- Finishes: white (RAL9003) or silver (RAL9006) powder-coated
- Single dimmed 1-10V
- Evenly spaced premium LEDs provide uniform illumination combined with highest efficacy standards.  
Factory-programmable drivers offer up to 3 standard output levels
- Y-Cord suspension continuously adjustable in height with matching white or silver canopy and transparent power-supply cable
- Standard color temperature: 2700K, 3000K, 3500K, 4000K
- CRI $\geq$ 80
- On request: Wide range of special color temperatures (2700K-6500K), special surface colors, CRI $\geq$ 90
- 5-year warranty on all electrical parts.  
80% of initial light output for 50,000 hours
- Direct access to integral drivers and LED circuit boards ensures hassle-free installation and maintenance
- cETLus listed

## ES

### Caleo-P1/G1

- Luminaria LED colgante.
- Opcional: distribución de luz directa o distribución de luz directa/indirecta con cubierta protectora superior.
- Difusor opalino hecho de metacrilato satinado, que ofrece una gran eficiencia en la transmisión de luz y proporciona una iluminación uniforme.
- Acabado de superficie en pintura pulverizada color blanco (RAL9003) o plata (RAL9006).
- Regulable sencillo 1-10V
- LEDs de primera calidad combinados con los más altos estándares, que generan una iluminación homogénea aun colocados espaciadamente. Los balastos con programación de fábrica ofrecen 3 niveles estándar de intensidad luminosa.
- Cable de suspensión tipo „Y” con altura ajustable, florón en color blanco o plata respectivamente y con cable alimentador transparente.
- Temperatura de color estándar: 2700K, 3000K, 3500K y 4000K, IRC $\geq$ 80.
- Sobre pedido: amplia gama de temperaturas especiales de color (2700K-6500K), colores de superficies especiales, IRC $\geq$ 90.
- Garantía de 5 años en todas las partes eléctricas. Larga vida útil de 50,000 h al 80% del flujo luminoso.
- El acceso directo a balastos integrados y placas de circuito de LED asegura una instalación sencilla y un fácil mantenimiento.
- Certificado por cETLus

## CALEO-P1 / DIRECT-INDIRECT / OPAL

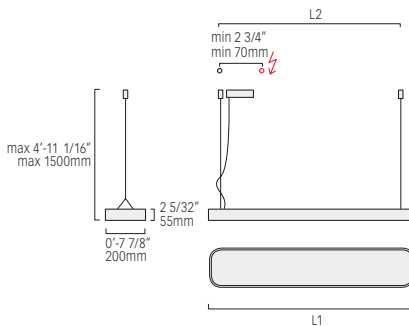
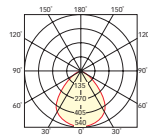


L1 [Feet/Inch]	L2 [Feet/Inch]	L1 [mm]	L2 [mm]	LUMEN/WATT @ 4000K*	CODE	CODE	KG	lbs
LED - MEDIUM POWER					SILVER	WHITE		
2'-11 7/16"	2'-9 27/32"	900	860	4442lm/39W*	1AP1OSD-###E-L900-YS	1AP1OWD-###E-L900-YW	7,1	15,7
3'-11 1/4"	3'-9 21/32"	1200	1160	5923lm/50W*	1AP1OSD-###E-L1200-YS	1AP1OWD-###E-L1200-YW	8,3	18,3
4'-11 1/16"	4'-9 15/32"	1500	1460	7404lm/58W*	1AP1OSD-###E-L1500-YS	1AP1OWD-###E-L1500-YW	9,8	21,6
LED - HIGH POWER								
2'-11 7/16"	2'-9 27/32"	900	860	6246lm/53W*	1AP1OSD-###M-L900-YS	1AP1OWD-###M-L900-YW	7,1	15,7
3'-11 1/4"	3'-9 21/32"	1200	1160	8328lm/66W*	1AP1OSD-###M-L1200-YS	1AP1OWD-###M-L1200-YW	8,3	18,3
4'-11 1/16"	4'-9 15/32"	1500	1460	10410lm/82W*	1AP1OSD-###M-L1500-YS	1AP1OWD-###M-L1500-YW	9,8	21,6

LED COLOR TEMPERATURE ###	827: 2700K, 830: 3000K, 835: 3500K, 840: 4000K
---------------------------	--

\*LUMINAIRE LUMINOUS FLUX (DELIVERED LUMENS) @ 4000K / TOTAL POWER CONSUMPTION

## CALEO-G1 / DIRECT / OPAL

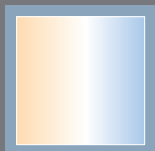


L1 [Feet/Inch]	L2 [Feet/Inch]	L1 [mm]	L2 [mm]	LUMEN/WATT @ 4000K*	CODE	CODE	KG	lbs
LED - MEDIUM POWER					SILVER	WHITE		
2'-11 7/16"	2'-9 27/32"	900	860	2832lm/22W*	1AG1OSD-###M-L900-YS	1AG1OWD-###M-L900-YW	7,1	15,7
3'-11 1/4"	3'-9 21/32"	1200	1160	3776lm/29W*	1AG1OSD-###M-L1200-YS	1AG1OWD-###M-L1200-YW	8,3	18,3
4'-11 1/16"	4'-9 15/32"	1500	1460	4720lm/36W*	1AG1OSD-###M-L1500-YS	1AG1OWD-###M-L1500-YW	9,8	21,6
LED - HIGH POWER								
2'-11 7/16"	2'-9 27/32"	900	860	3917lm/31W*	1AG1OSD-###H-L900-YS	1AG1OWD-###H-L900-YW	7,1	15,7
3'-11 1/4"	3'-9 21/32"	1200	1160	5223lm/40W*	1AG1OSD-###H-L1200-YS	1AG1OWD-###H-L1200-YW	8,3	18,3
4'-11 1/16"	4'-9 15/32"	1500	1460	6530lm/49W*	1AG1OSD-###H-L1500-YS	1AG1OWD-###H-L1500-YW	9,8	21,6

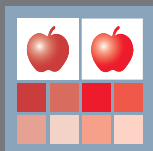
LED COLOR TEMPERATURE ###	827: 2700K, 830: 3000K, 835: 3500K, 840: 4000K
---------------------------	--

\*LUMINAIRE LUMINOUS FLUX (DELIVERED LUMENS) @ 4000K / TOTAL POWER CONSUMPTION

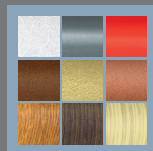
### Further Product Options:



ALTERNATIVE COLOR  
TEMPERATURES:  
2200K - 6500K



LEDS WITH  
HIGHER CRI  
RA>90



FURTHER SELECTED  
SURFACE DESIGNS:  
SEE PAGE 11