

CTL116T

Eclipse Low Voltage Track Fixture with Transformer

Specifications/Features

Fixture

The roundback cylinder design (aluminum housing) with a perforated steel back gives a high-tech look with sparkle. MR16 lamp (12V) and clear tempered safety lens are held in place by a metal spring clip that snaps into the regressed internal slot. Double steel yoke holds the fixture in position with two knobs. 358° aiming.

For use with single circuit track only.

Lamp/Electrical

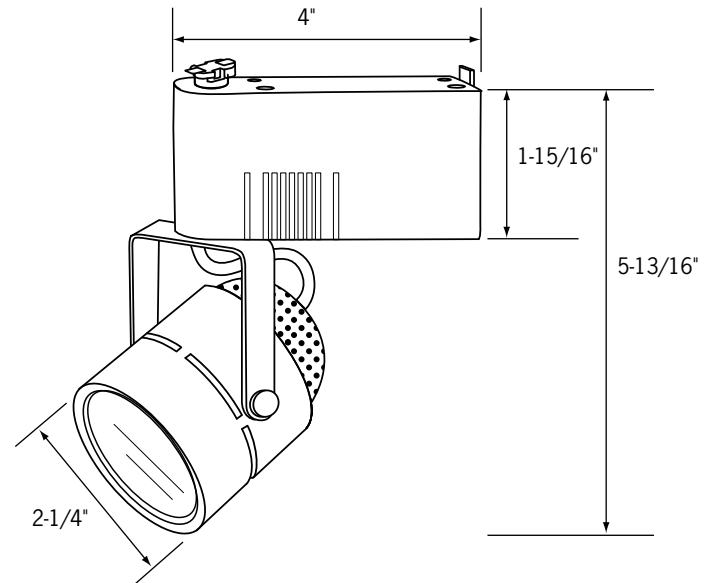
(1) 50W MR16 lamp (max.), GU5.3 base.
Solid state electronic transformer (120V/12V) encased in a polycarbonate transformer housing.
On fixtures designed for use with MR16 lamps, ConTech Lighting provides a clear, tempered safety glass. This safety glass should only be used with open MR16 lamps, and not used with MR16 lamps that contain an integral glass lens. This safety glass should be removed if use of MR16 with front glass is required.

Warranty

This fixture is covered by ConTech's full one (1) year replacement guarantee after date of purchase.

Listing

cETLus listed. Suitable for dry locations.



Ordering Information

Example Order: -

Fixture	—	Finish
<input type="text"/>		<input type="text"/>
CTL116T		B - Black P - White

Accessories

LF16 - **A, B, CL, G, LB, R, RO, Y, 73, LS, SL, UV**
2" Tempered glass lenses

FA-16 - Honeycomb Louver
THS-16 - Thermal Heat Shield

Color/Pattern Legend
-A (Amber), **-B** (Blue), **-CL** (Clear), **-LB** (Light Blue),
-R (Red), **-RO** (Rose), **-Y** (Yellow), **-73** (Spread Lens),
-LS (Linear Spread Lens), **-SL** (Soft Light),
-UV (Optivex UV Filter)