

CTL216T

Eclipse Low Voltage Round Back Cylinder with Transformer

Specifications/Features

Fixture

Round back cylinder design, aluminum housing.
Black phenolic baffle conceals lamp and provides glare control.
Will accept (1) LF16 Lens.
Double steel yoke holds the fixture in position with two knobs.
350° aiming.

For use with single circuit track only.

Lamp/Electrical

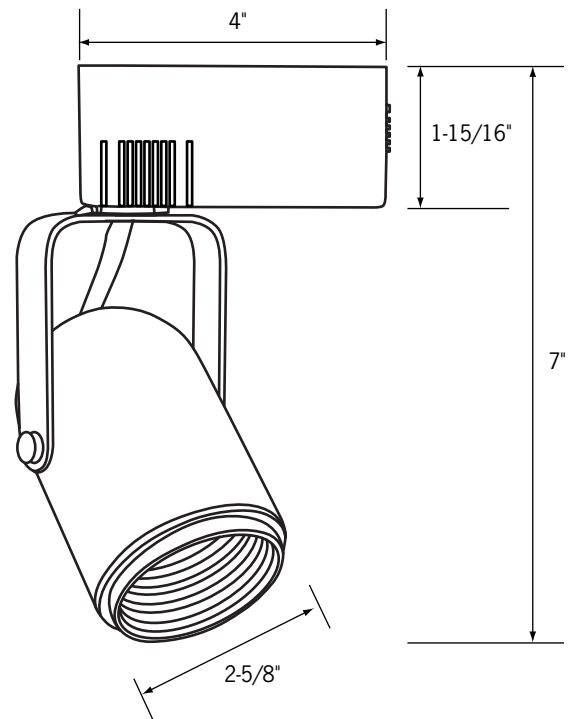
(1) 50W MR16 lamp (max.), GU5.3 base.
Solid state electronic transformer (120V/12V) encased in a polycarbonate transformer housing.
On fixtures designed for use with MR16 lamps, ConTech Lighting provides a clear, tempered safety glass. This safety glass should only be used with open MR16 lamps, and not used with MR16 lamps that contain an integral glass lens. This safety glass should be removed if use of MR16 with front glass is required.

Warranty

This fixture is covered by ConTech's full one (1) year replacement guarantee after date of purchase.

Listing

cCSAus Certified. Suitable for dry locations.



Ordering Information

Example Order: –

Fixture	—	Finish
<input type="text" value="CTL216T"/>		<input type="text" value="B"/>
		B - Black P - White

Accessories
<input type="text" value=""/>
LF16 - A, B, CL, G, LB, R, RO, Y, 73, LS, SL, UV 2" Tempered glass lenses
FA-16 - Honeycomb Louver

Color/Pattern Legend
-A (Amber), **-B** (Blue), **-CL** (Clear), **-LB** (Light Blue),
-R (Red), **-RO** (Rose), **-Y** (Yellow), **-73** (Spread Lens),
-LS (Linear Spread Lens), **-SL** (Soft Light),
-UV (Optivex UV Filter)