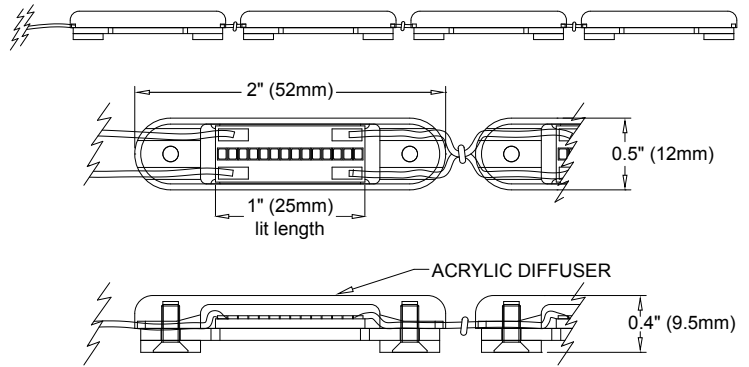




String of 2" (52mm) LED Billets encapsulated in a diffuser with magnetic pads for fixing and flexible repositioning.



- Materials: Aluminum, acrylic
- Color Temp: 2700K, 3000K, 4000K
- Lamp: MSL G3.2 LED Strip
- Output: Please see table below for output options and ordering information
- CRI: ≥90
- Dimming: EldoLED 0-10V or DMX
- Supply: 24V DC from dedicated power supply
- Weight: Variable
- Deviation: Direct mount via VHB pads as opposed to magnets

G3.2 Standard Output

LEDs at 1.79mm centers / 280 LEDs per 20" (500mm) strip / 14 LEDs per 1" (25mm) Billet
 Consumption: 0.42W per 1" Billet (approx. 5 Billets per foot - 2.2W/ft / 17 Billets per meter - 7.14W/m)
 Output: 37.5lm per 1" Billet (approx. 5 Billets per foot - 194lm/ft / 17 Billets per meter - 638lm/m)

G3.2 High Output

LEDs at 1.79mm centers / 280 LEDs per 20" (500mm) strip / 14 LEDs per 1" (25mm) Billet
 Consumption: 0.78W per 1" Billet (approx. 5 Billets per foot - 4W/ft / 17 Billets per meter - 13.26W/m)
 Output: 68lm per 1" Billet (approx. 5 Billets per foot - 352lm/ft / 17 Billets per meter - 1156lm/m)

Order Code	series.col temp.output.length.dimming
Example	Billet.3000K.standard.24".D010

Series	Color	Output	Length	Dimming and control	Deviation
Billet	2700K 3000K 4000K	Standard...G3.2 2.2W/ft, 194lm/ft High.....G3.2 4W/ft, 352lm/ft	Specify number of billets or total length	D010.....0-10V DMX.....DMX	3M VHB pads

