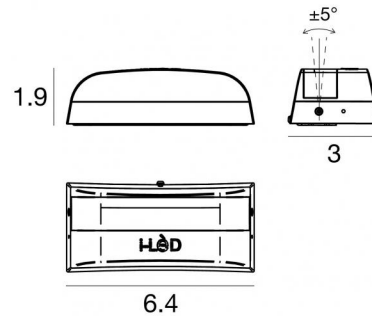




Uplights | 4 x powerLED 8 W | CRI 80 | 4000K | Radial 180° | Embossed white RAL 9003 |  
Wet location | 630mA  
**LL-E95458-N-18**



Technical data	
Type	Surface
Installation position	Wall lights - Ceiling - Floor
Installation environment	Outdoor
Light Source	LED
Optics	Radial
Light emission direction	upward
Power	8 W
Operation	630mA
Source lumens	996 lm
CCT	4000 K
Color rendering index	80 Ra
Safety class	Class 2
IP	IP65
IK	IK08
Glow wire test	850°
Direct mounting on normally flammable surfaces	Yes
CE	Yes
ETL	Yes
Dimmable article	No
Directional	Swivelling
total angle (vertical plane)	5 °
Tilting	No
Walk-over	No
Drive-over	No
Cable included	Yes
Cable length	3.28 ft
Resin potting	No
Type of light emission	Arced diffusion
Net weight	1.43 lbs
Electrostatic discharge protection	No
Surge protection	No
Product technological characteristics	TVS
Ordinary temperature on the glass	104 °F

Finishing casing	
Material	Die-cast Aluminum EN AB - 46100
Color	Embossed white RAL 9003
Process	Open pore anodizing + Powder Coating

Finishing diffuser	
Material	UV Resistant Polycarbonate
Color	transparent
Process	Liquid painting

Finishing base	
Material	Die-cast Aluminum EN AB - 46100
Color	Embossed white RAL 9003
Process	Open pore anodizing + Powder Coating

Cables Electrification	
Cable connector	No

**Notes:**

---



---



---



---



---

Uplights | 4 x powerLED 8 W | CRI 80 | 4000K | Radial 180° | Embossed white RAL 9003 |  
Wet location | 630mA | Base  
**LL-E95458-N-18**

Arced diffusion uplights for outdoor application. The natural white LED light source with a radial light distribution is composed of 4 powered LEDs with CCT of 4000 K and a CRI 80; the source luminous flux is 996 lm, with a 124.5 lm/W nominal luminous efficacy.

The device body is made of die-cast aluminium en ab - 46100 and features a embossed white ral 9003 finish, processed by means of open pore anodizing + powder coating; the diffuser is made of uv resistant polycarbonate with a liquid painting treatment. The ingress protection degree is IP65; the total weight is of 1.433 lbs.

The total absorbed power is 8 W. The power supply cable is included and features a 3.281 ft lenght.

and can be wall lights, ceiling or floor-mounted.

Compliant with the EN 60598-1 standard and its specific provisions.

### Energy efficiency class

This product contains 4 light sources of energy efficiency class D.

### Led features

Light Output Ratio (LOR)	72 %
Source lumens	996 lm
Delivered lumens	724 lm
Power	8 W
Luminaire efficacy	90 lm/W
Color temperature	4000 K
Standard Deviation of Colour Matching	1.5 Step
Color rendering index	80 Ra

### LED Life / Failure Ratio

L70 B10 C0 361980h (at Tj 60 Ta 25 )

### UGR

UGR axial	17.3
UGR transversal	37.4
X=4H   Y=8H	S=0.25H
Reflection factor	70/50/20

### OPTICAL

Light distribution symmetry	Symmetrical 2
C0/C180 optics	140°
C90/C270 optics	18°

