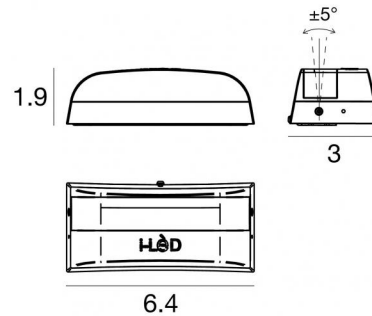




Uplights | 4 x powerLED 4 W | CRI 80 | 3000K | Radial 180° | Embossed white RAL 9003 |
 Wet location | 350mA
LL-E95454-W-18



Technical data	
Type	Surface
Installation position	Wall lights - Ceiling - Floor
Installation environment	Outdoor
Light Source	LED
Optics	Radial
Light emission direction	upward
Power	4 W
Operation	350mA
Source lumens	580 lm
CCT	3000 K
Color rendering index	80 Ra
Safety class	Class 2
IP	IP65
IK	IK08
Glow wire test	850°
Direct mounting on normally flammable surfaces	Yes
CE	Yes
ETL	Yes
Dimmable article	No
Directional	Swivelling
total angle (vertical plane)	5 °
Tilting	No
Walk-over	No
Drive-over	No
Cable included	Yes
Cable length	3.28 ft
Resin potting	No
Type of light emission	Arced diffusion
Net weight	1.43 lbs
Electrostatic discharge protection	4 KV
Surge protection	0,5 KV
Product technological characteristics	TVS
Ordinary temperature on the glass	104 °F

Finishing casing	
Material	Die-cast Aluminum EN AB - 46100
Color	Embossed white RAL 9003
Process	Open pore anodizing + Powder Coating

Finishing diffuser	
Material	UV Resistant Polycarbonate
Color	transparent
Process	Liquid painting

Finishing base	
Material	Die-cast Aluminum EN AB - 46100
Color	Embossed white RAL 9003
Process	Open pore anodizing + Powder Coating

Cables Electrification	
Cable connector	No

Notes:

Uplights | 4 x powerLED 4 W | CRI 80 | 3000K | Radial 180° | Embossed white RAL 9003 |
Wet location | 350mA | Base
LL-E95454-W-18

Arced diffusion uplights for outdoor application. The warm white LED light source with a radial light distribution is composed of 4 powered LEDs with CCT of 3000 K and a CRI 80; the source luminous flux is 580 lm, with a 145.0 lm/W nominal luminous efficacy.

The device body is made of die-cast aluminium en ab - 46100 and features a embossed white ral 9003 finish, processed by means of open pore anodizing + powder coating; the diffuser is made of uv resistant polycarbonate with a liquid painting treatment. The ingress protection degree is IP65; the total weight is of 1.433 lbs.

The total absorbed power is 4 W. The power supply cable is included and features a 3.281 ft lenght.

and can be wall lights, ceiling or floor-mounted.

Compliant with the EN 60598-1 standard and its specific provisions.

Energy efficiency class

This product contains 4 light sources of energy efficiency class D.

Led features

Light Output Ratio (LOR)	73 %
Source lumens	580 lm
Delivered lumens	424 lm
Power	4 W
Luminaire efficacy	106 lm/W
Color temperature	3000 K
Standard Deviation of Colour Matching	1.5 Step
Color rendering index	80 Ra

LED Life / Failure Ratio

L70 B10 C0 361980h (at Tj 60 Ta 25)

UGR

UGR axial	15.4
UGR transversal	35.6
X=4H Y=8H	S=0.25H
Reflection factor	70/50/20

OPTICAL

Light distribution symmetry	Symmetrical 2
C0/C180 optics	140°
C90/C270 optics	18°

