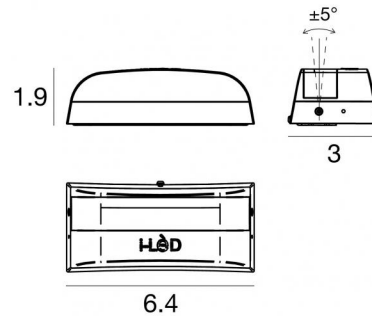




Uplights | 4 x powerLED 4 W | CRI 80 | 2700K | Radial 180° | Embossed black RAL 9005 |  
 Wet location | 350mA  
**LL-E95612-M-18**



Technical data	
Type	Surface
Installation position	Wall lights - Ceiling - Floor
Installation environment	Outdoor
Light Source	LED
Optics	Radial
Light emission direction	upward
Power	4 W
Operation	350mA
Source lumens	544 lm
CCT	2700 K
Color rendering index	80 Ra
Safety class	Class 2
IP	IP65
IK	IK08
Glow wire test	850°
Direct mounting on normally flammable surfaces	Yes
CE	Yes
ETL	Yes
Dimmable article	No
Directional	Swivelling
total angle (vertical plane)	5 °
Tilting	No
Walk-over	No
Drive-over	No
Cable included	Yes
Cable length	3.28 ft
Resin potting	No
Type of light emission	Arced diffusion
Net weight	1.43 lbs
Electrostatic discharge protection	4 KV
Surge protection	0,5 KV
Product technological characteristics	TVS
Ordinary temperature on the glass	104 °F

### Finishing casing

Material	Die-cast Aluminum EN AB - 46100
Color	Embossed black RAL 9005
Process	Open pore anodizing + Powder Coating

### Finishing diffuser

Material	UV Resistant Polycarbonate
Color	transparent
Process	Liquid painting

### Finishing base

Material	Die-cast Aluminum EN AB - 46100
Color	Embossed black RAL 9005
Process	Open pore anodizing + Powder Coating

### Cables Electrification

Cable connector	No
-----------------	----

### Notes:

---



---



---



---



---

Uplights | 4 x powerLED 4 W | CRI 80 | 2700K | Radial 180° | Embossed black RAL 9005 |  
Wet location | 350mA | Base  
**LL-E95612-M-18**

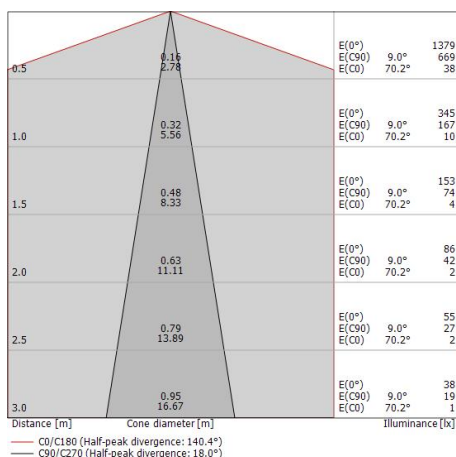
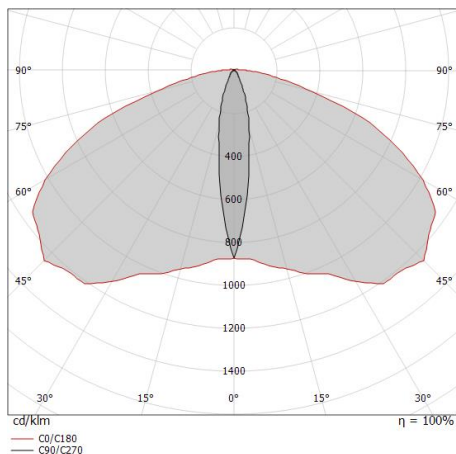
Arced diffusion uplights for outdoor application. The super warm LED light source with a radial light distribution is composed of 4 powered LEDs with CCT of 2700 K and a CRI 80; the source luminous flux is 544 lm, with a 136.0 lm/W nominal luminous efficacy.

The device body is made of die-cast aluminium en ab - 46100 and features a embossed black ral 9005 finish, processed by means of open pore anodizing + powder coating; the diffuser is made of uv resistant polycarbonate with a liquid painting treatment. The ingress protection degree is IP65; the total weight is of 1.433 lbs.

The total absorbed power is 4 W. The power supply cable is included and features a 3.281 ft lenght.

and can be wall lights, ceiling or floor-mounted.

Compliant with the EN 60598-1 standard and its specific provisions.



### Energy efficiency class

This product contains 4 light sources of energy efficiency class D.

### Led features

Light Output Ratio (LOR)	72 %
Source lumens	544 lm
Delivered lumens	394 lm
Power	4 W
Luminaire efficacy	98 lm/W
Color temperature	2700 K
Standard Deviation of Colour Matching	1.5 Step
Color rendering index	80 Ra

### LED Life / Failure Ratio

L70 B10 C0 361980h (at Tj 60 Ta 25 )

### UGR

UGR axial	15.2
UGR transversal	35.3
X=4H   Y=8H	S=0.25H
Reflection factor	70/50/20

### OPTICAL

Light distribution symmetry	Symmetrical 2
C0/C180 optics	140°
C90/C270 optics	18°