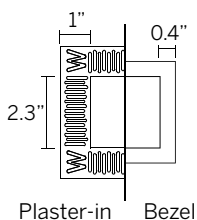
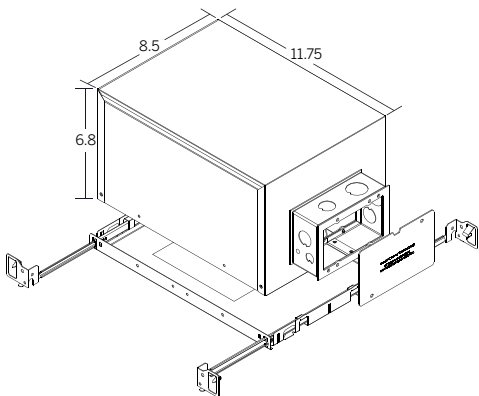


60 Square Downlight LED - Chicago Plenum/IC Specifications



cut-out dimensions 2 3/4" x 2 3/4"

Ordering Information

Model	LED ^{1,2}	Rated Lumens ³	Beam Angle	Voltage	Power Supply ⁴	Diffuser	Options
WG-P60SDL plaster-in	80 CRI CB-827 CB-830	L M H	30 40 80	UNV	X S D010 D3W ⁵ DES ⁵	CD FD (80° Beam Only) FR (80° Beam Only) MP OA	AS HL CP IC
WG-B60SDL bezel trim	90 CRI CB-927 CB-930 CB-935 CB-940			120	DFPN ⁵		
	95 CRI CB-F927 CB-F930 CB-F935 CB-F940						

Luminaire

- Bezel trim or trimless 'plaster-in' 2.4" square Downlight for drywall ceilings and tiles.
- Installation housing for Chicago plenum or insulated ceilings.
- Machined die-cast aluminum LED insert with twist lock.
- Tool free lamp maintenance.
- Regressed open aperture standard, other diffusers/options available (see diffusers/options).
- Powder coat painted white - RAL 9010.

LED^{1,2}

- 80+ CRI (Low/Medium/High Power)
- CB-827 = 2700K, 1045/1233/1540lm
- CB-830 = 3000K, 1045/1233/1540lm
- CB-835 = 3500K, 1091/1311/1698lm
- CB-840 = 4000K, 1091/1311/1698lm
- For 90+ CRI specify, CB-927, CB-930, etc. Approximately 15% less lumens than 80 CRI.
- For 95+ CRI specify, CB-F927, CB-F930, etc. Approximately 30% less lumens than 80 CRI.

Power³

- L = Low Power, 6.8W @ 400mA
- M = Mid Power, 8.6W @ 500mA
- H = High Power, 12.4W @ 700mA

Beam Angle

- 30 = 30° accent illumination
- 40 = 40° general illumination
- 80 = 80° general illumination

Voltage

- UNV = 120-277V
- 120 = 120V

Power Supply (remote)⁴

- X = No driver.
- S = Standard non-dim driver, 120-277V.
- D010 = EldoLED, 1%, 0-10V dimming, 120-277V.
- D3W = Lutron, 1%, 3-wire dimming, 120V-277V.⁵
- DES = Lutron, 1%, EcoSystem E1/E2 digital dimming, 120-277V.⁵
- DFPN = Lutron 1% forward phase with neutral, 120V only.⁵

Diffuser (Open Aperture standard)

- CD = Regressed Clear Diffuser
- FD = Flush Frosted Diffuser
- FR = Regressed Frosted Diffuser
- MP = Regressed Micro Prismatic Diffuser
- OA = Open Aperture

Emergency

- Emergency LED driver available, order separately.

Options

- AS = Accessory Snoot
- HL = Hex Louver
- CP = Chicago Plenum Housing
- IC = Insulated Ceiling Housing
- NC = New Construction Plate available, contact factory

¹ Other lumen packages available, consult factory.

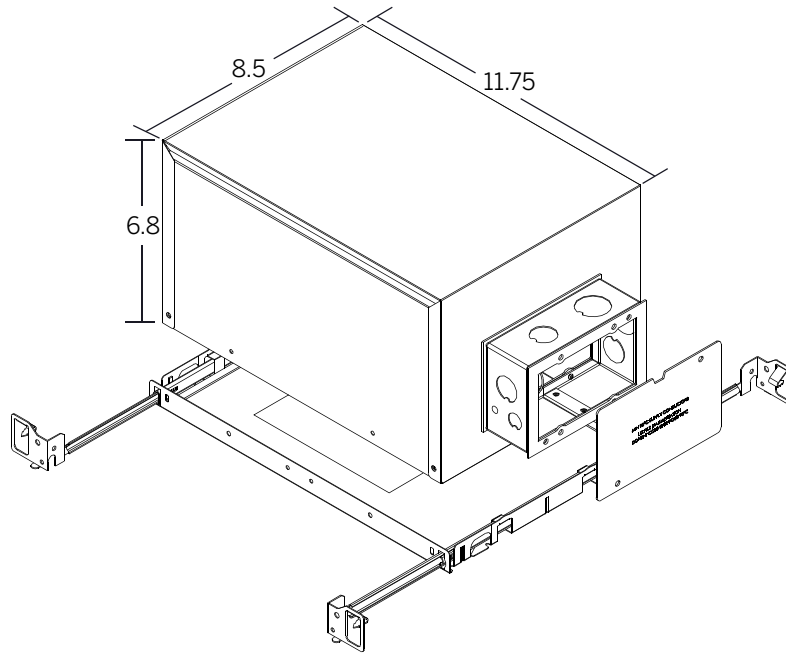
² See LED data sheet for delivered lumens.

³ Wattage shown does not include power supplies/drivers. System wattage adds 10-20%.

⁴ See power supply page for details.

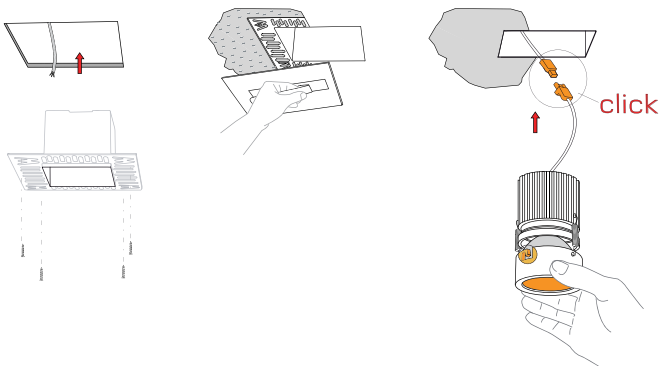
⁵ Consult factory for lead-times.

60 Square Downlight LED - Chicago Plenum/IC Dimensions

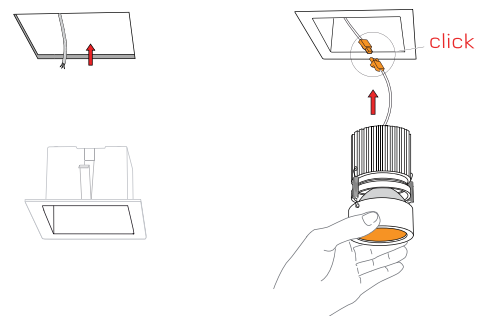


See power supply page for details.

Plaster-in instructions

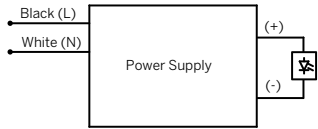


Bezel instructions

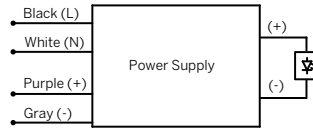


60 Square Downlight LED - Chicago Plenum/IC Power Supplies

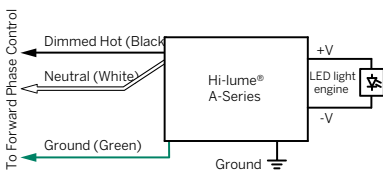
S (Standard non-dim)



D010 (EldoLED 0-10V)

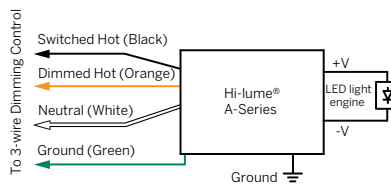


DFPN (Lutron forward phase with neutral)

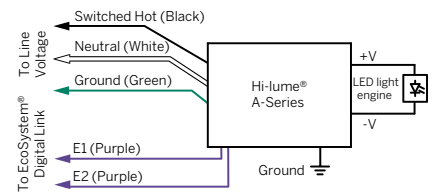


Note: Colors shown correspond to terminal blocks on driver.

DW3 (Lutron 1%, 3-wire)



DES (Lutron EcoSystem® digital)



Note: Colors shown correspond to terminal blocks on driver.

Note: Colors shown correspond to terminal blocks on driver.