

Arpool S Specifications



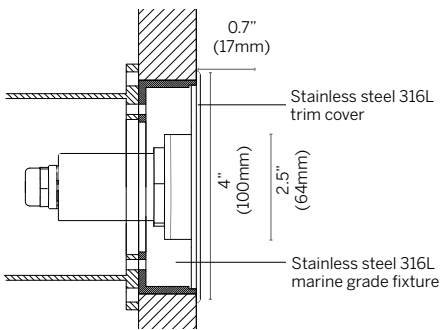
Ordering Information¹

Model	Power	Color	Optics	Voltage	Options	Housing ²
F AS	L	30	SP	12		
	H	40	FL			
	L	RGBW				
					TR C2 C3	ASTL ASTR

¹Specify remote power supply separately below. ²See page 2 for installation details.

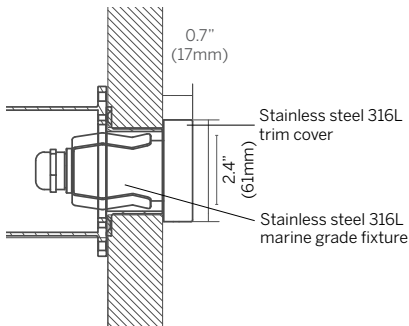
Trimless

max. 7.2"
(183mm)



Trim

max. 7.2"
(183mm)



Luminaire

- Glass lens creates optical effect of narrow and wide beam
- IP68, UL STD 676, submersible (only), for fountains and non habitable pools (North America only), max depth 10'
- Remote power supply
- Stainless steel construction 316L marine grade, with clear tempered glass
- ABS Installation housing, direct concrete pour
- 14' (4.3m) feed cable standard

Size

- 2.5" ϕ x 8.5" (64mm x 216mm) trimless
- 2.4" ϕ x 8.5" (61mm x 216mm) trim

Power

- L = 1W, 4000K, 90 lm
- H = 4W, 4000K, 230 lm
- L = 5W, RGBW:
R 1W, 60 lm; G 1W, 75 lm,
B 1W, 15 lm; W 1W, 75 lm

Color Temperature

- 30 = 3000K
- 40 = 4000K
- RGBW
- 2 Step MacAdam
- CRI: > 83

Optics

- SP = spot - 10 degree
- FL = flood - 36 degree

Voltage

- 12 = 12VDC fixture voltage

Options

- TR = stainless steel 304 trim, size: 0.7" (17mm)
- C2 = 20' (6m) feed cable
- C3 = 30' (9m) feed cable

Housing

- ASTL = trimless, stainless steel 316L
- ASTR = surface trim, stainless steel 316L, fountain use only

Power Supply³ (Remote)

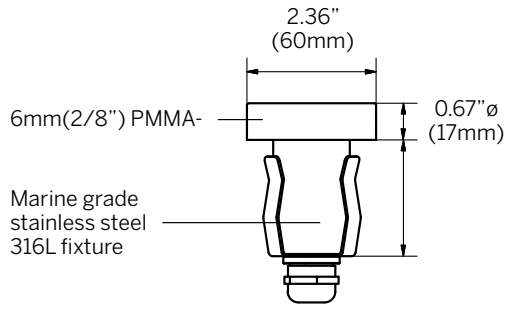
- OT60-12VDC-D010: Osram 10% 0-10V dimming, 60W, 12V, 120-277VAC

RGB

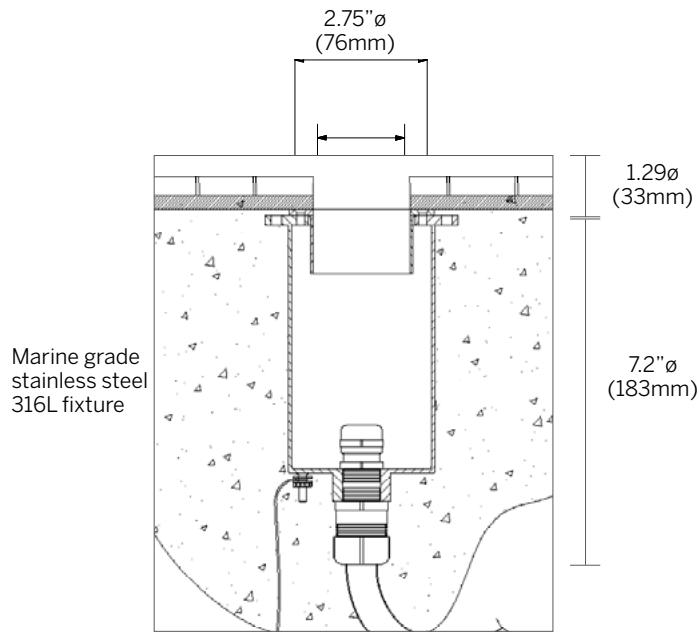
- D-550-20003: EldoLED LIN100D2, CV 12V DMX/Sequencer Interface, requires a 12VDC driver ordered separately. (DMX control not included)

³See power supply pages for details. No enclosure, unless stated. lm80 values shown.

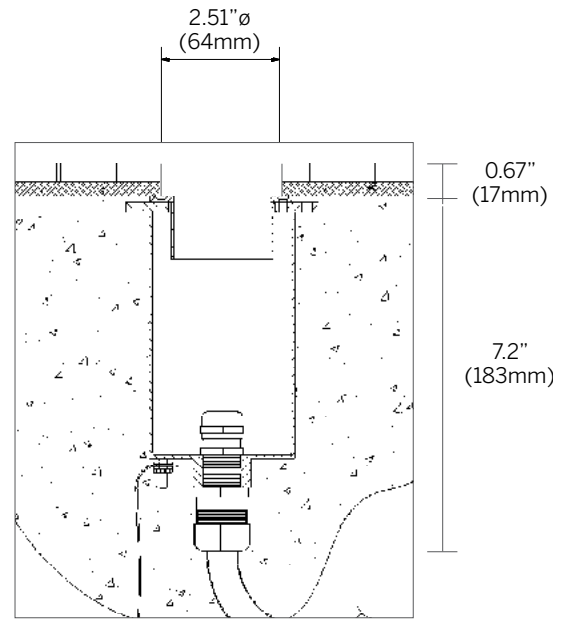
Fixture



Housing



Trimless (TL)



Trim (TR)

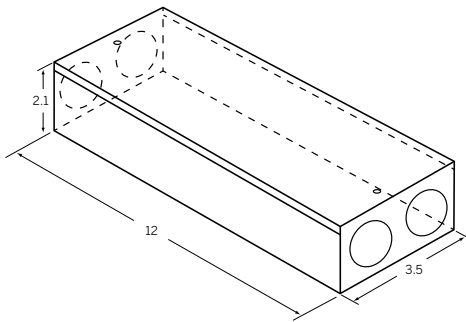
Single Color Drivers

Qty.	Part Number	Description	Case	Nominal Input Voltage (V)	Nominal Input Current (A)	Power Factor	Output Power Range (W)	Dimming Mode	Dimming Control	Dimming Range	Location Rating
	OT60-12VDC-D010	Osram 0-10V dim	1	120 277	0.60 0.26	0.99	1-60	PWM	0-10V	10 -100%	Damp

The installer and/or end user must take precautions to prevent and/or test the effects of EMI (electromagnetic interference). Maximum recommended load is 80% of driver rating.

Case dimensions

Case 1 (no enclosure)



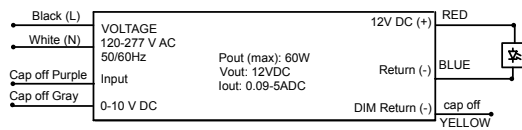
Maximum wiring distance*

Wire gauge	Load per driver
	Osram
	≤48W
#16AWG	11'
#14AWG	18'
#12AWG	28'
#10AWG	45'

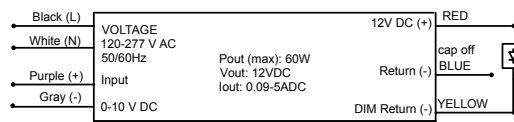
*Voltage drop guide for 12VDC. Actual Voltage drop to be calculated by installer

Wiring diagrams

60W Non-Dim



60W Dim

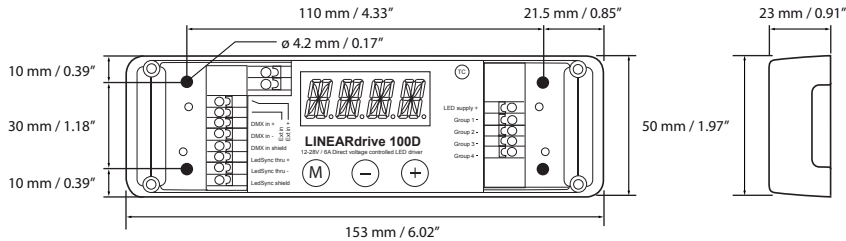


PLEASE NOTE: If powering an RGB interface D-550-20003, feed it from the OT60 driver wired as non-dim.

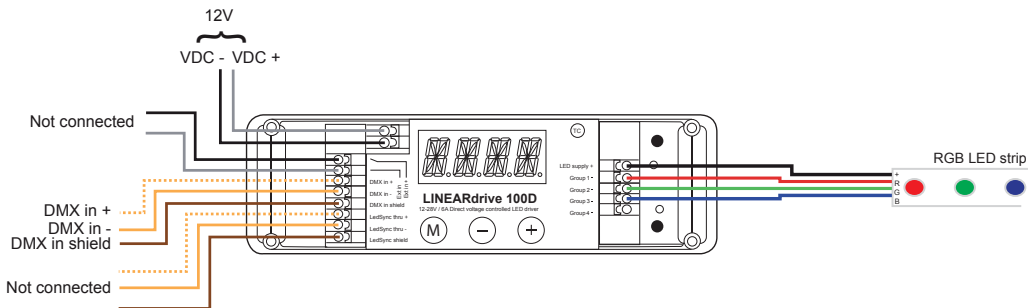
RGB Control Interface Details

Qty.	Part Number	Description	Nominal Input Voltage (V)	Maximum Output per channel (W)	Output Power Range (W)
	D-550-20003	DMX/Sequencer Interface	12	20	60

RGB Control case dimensions (DMX/Sequencer Interface)



Wiring Diagram



See installation / driver instructions for details.
Must order power supply separately