

Submitted by:		Date:
Type:	Project:	
Ordering Info:		

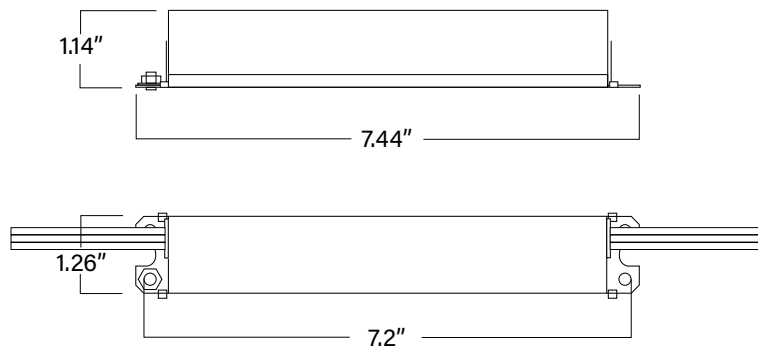


Automatic Load Control Relay (ALCR)

Legrand's UL924 ALCR device is an affordable approach to emergency lighting. The integral device is ideal for use in fixtures with onboard daylight sensors that require emergency provisions. The device enables the fixtures use for normal lighting, while ensuring in the event of an emergency, sensors and dimming controls are bypassed in order to keep the fixture on at full brightness. The device is a great solution for fixtures enabled with 0-10v and DALI controls. This device works in conjunction with an auxiliary generator or a central inverter system to power existing emergency lighting regardless of luminaire wall switch positions.

DIMENSIONS

7.44" x 1.26" x 1.14"



SPECIFICATIONS

Dimensions: 7.44" x 1.26" x 1.14" (189 mm x 32 mm x 29 mm)

Weight: 0.56 lbs. (0.25 kg)

Temperature Rating (Ambient): -20°C to +70°C (-4°F to 158°F)

Case Temperature (Tc): 90°C (max.)

UL Compliance: UL listed, UL924 compliant

Transient Protection: ANSI C62.41 Cat.A 2.5KV

UL Environmental Rating: Dry & Damp Location

EMI Compliance: FCC Part 15B Class A

Input Voltage: AC 120V to 277V

Frequency Range: 50/60 Hz

AC Input Current: 3A max.

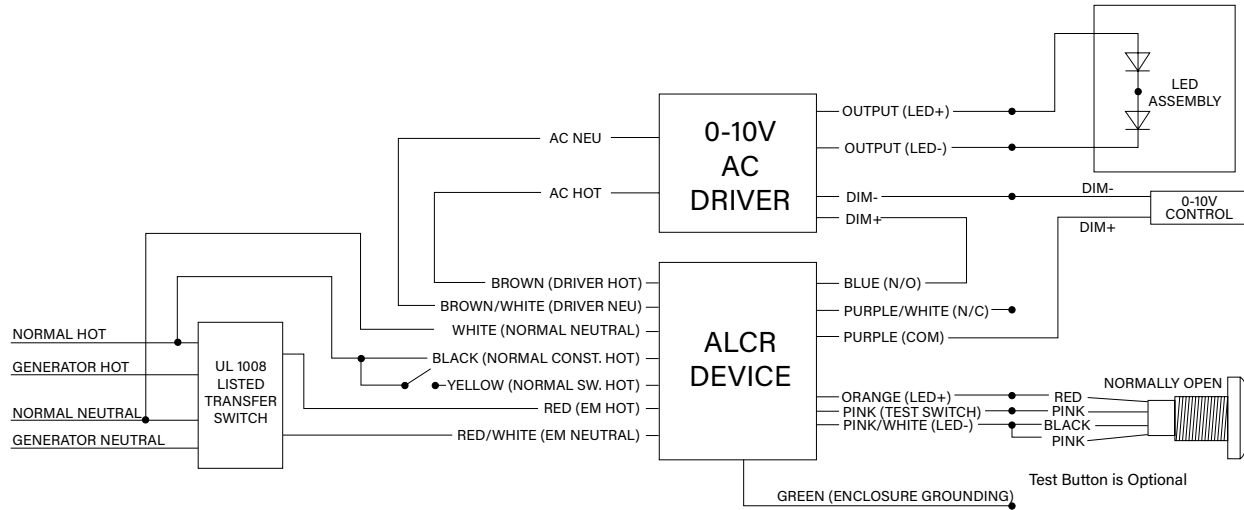
Output Voltage: AC 120V to 277V

Output Current: 3A max.

Submitted by:		Date:
Type:	Project:	
Ordering Info:		



0-10V CONTROL



DALI CONTROL

