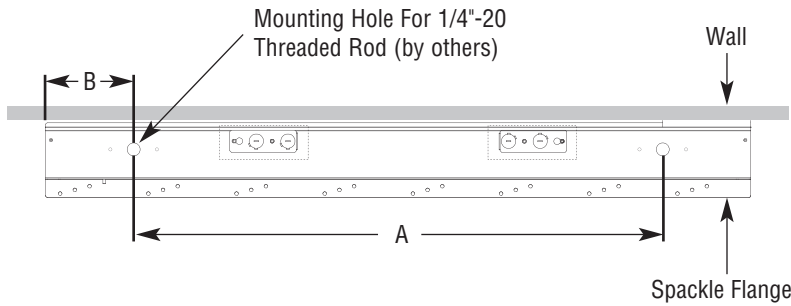


FINELITE

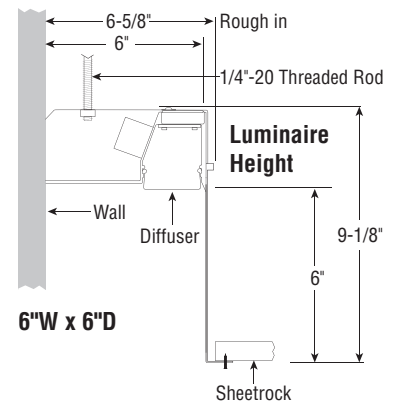
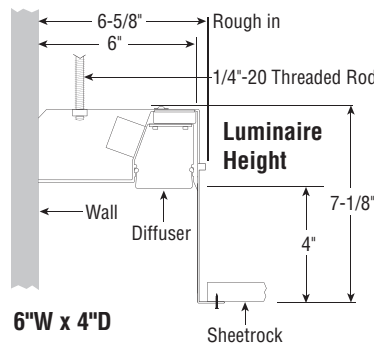
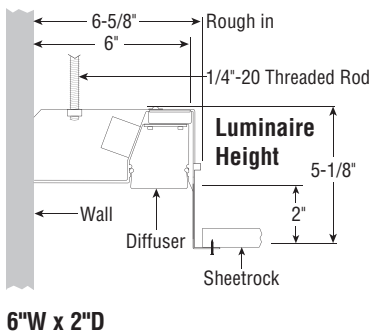
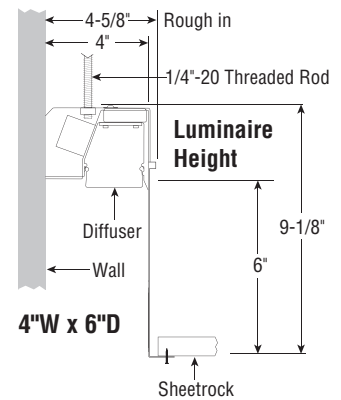
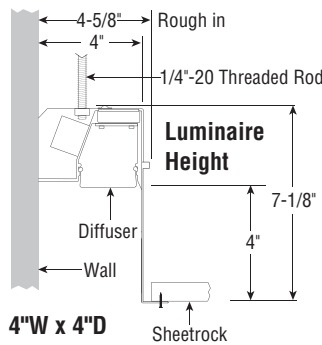
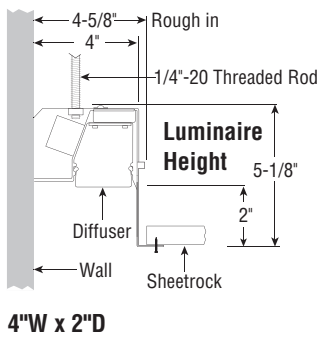
High Performance Perimeter Slot (HP-WS)

THREADED-ROD (TR) MOUNTING LOCATION

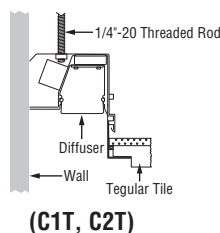
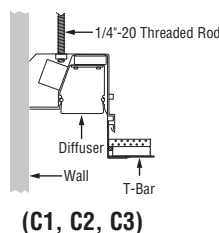
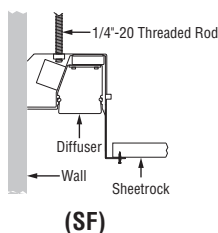


| MOUNTING HOLE LOCATION TABLE | | |
|------------------------------|--------|--------|
| LUMINAIRE LENGTH | A (in) | B (in) |
| 2' | 18 | 3 |
| 3' | 30 | 3 |
| 4' | 36 | 6 |
| 8' | 84 | 6 |

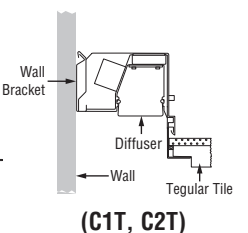
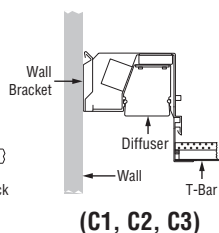
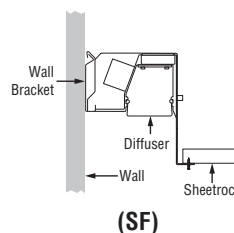
THREADED-ROD (TR) MOUNTING CROSS SECTIONS



CEILING TYPES — THREADED-ROD (TR) MOUNTING



WALL BRACKET (WB) MOUNTING



A brand of **legrand**

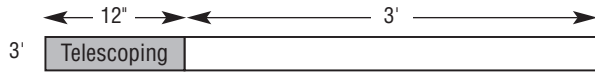
FINELITE

High Performance Perimeter Slot (HP-WS)

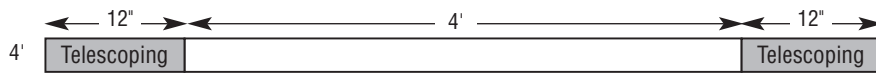
RUN LENGTHS



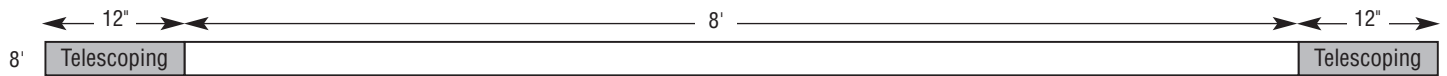
2' Telescoping Section (optional) adds a minimum of 2" and a maximum of 12". Only one end can be extended.



3' Telescoping Section (optional) adds a minimum of 1" and a maximum of 12". Only one end can be extended.



4' Telescoping Sections (optional) adds a minimum of 1" and a maximum of 12". Both ends can be extended.



8' Telescoping Sections (optional) adds a minimum of 1" and a maximum of 12". Both ends can be extended.
Standard 2', 3', 4', and 8' section can be combined to make longer runs.

Endcaps Information

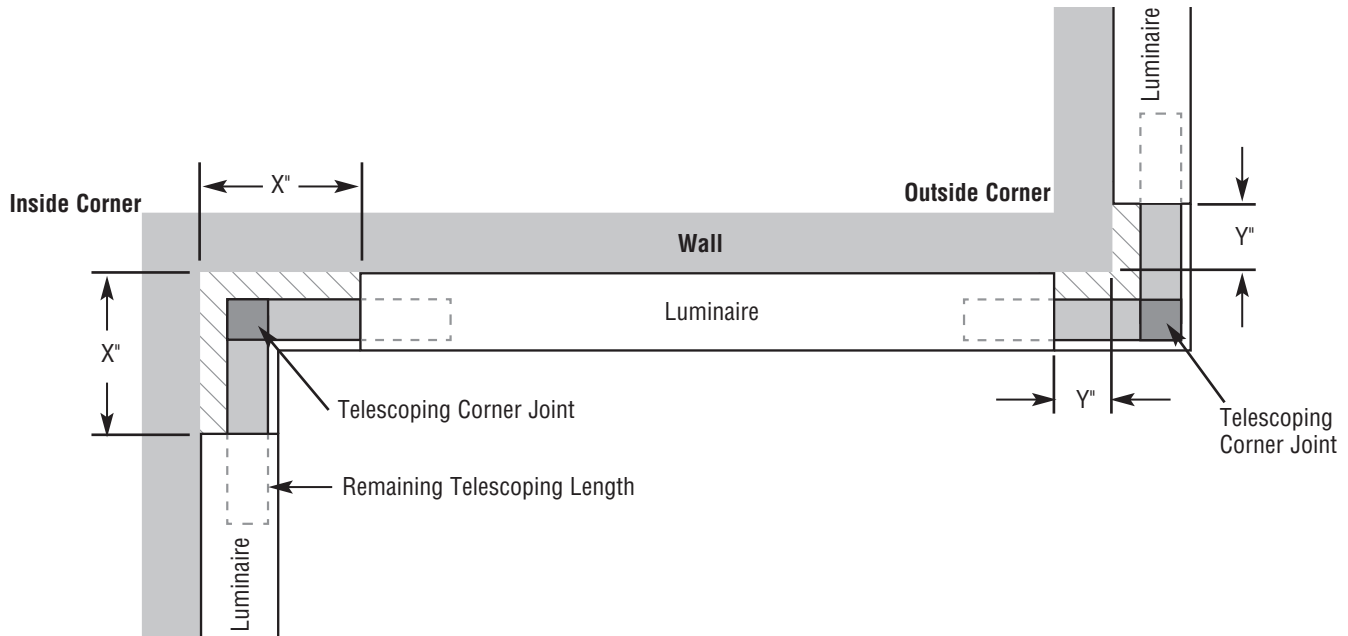
The **Flat Endcap** adds 1/8" per endcap to the section length.

The **Pocket Slot Endcap** adds 1-1/4" for Spackle Flange and 1" for T-Bar per endcap to the section length.

The **Telescoping Endcap** adds:

- A minimum of 2" to a 2' section
- A minimum of 1" to a 3' section
- A minimum of 1" to 4' and 8' sections

90° INSIDE AND OUTSIDE FULLY ILLUMINATED CORNER MEASURING DETAILS



| Luminaire Width Configuration | Measurement From End of Luminaire to Wall | | | |
|-------------------------------|---|---------|----------------|---------|
| | Inside Corner | | Outside Corner | |
| | X" Min. | X" Max. | Y" Min. | Y" Max. |
| 4W | 8" | 14" | 1" | 8" |
| 6W | 10" | 16" | 1" | 7" |

Notes

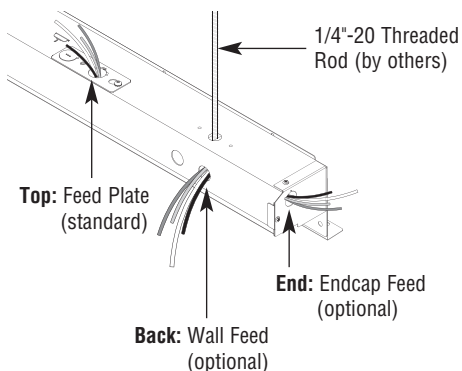
- Inside and outside corners ship standard with telescoping.
- Telescoping is optional for straight runs.

A brand of Legrand

FINELITE

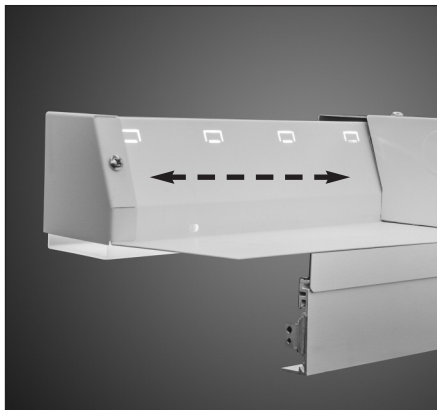
High Performance Perimeter Slot (HP-WS)

FEED OPTIONS

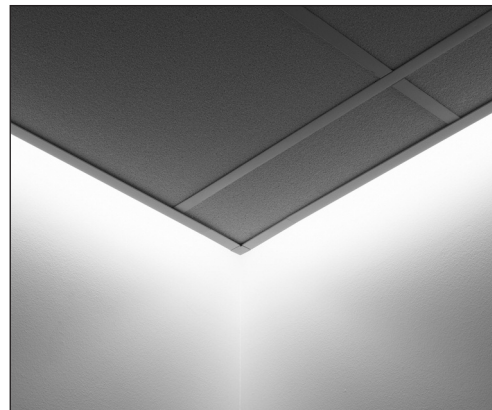


Refer to installation instructions for feed hole measurements.

TELESCOPING (TXL-L or TXL-R)

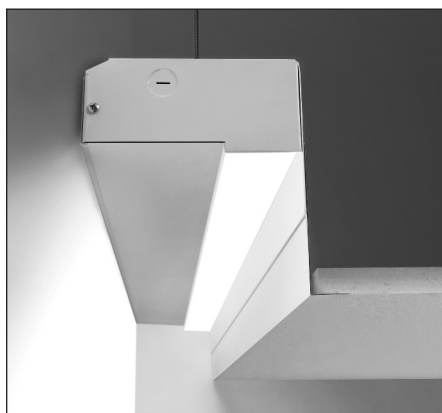


TAPERED OPTIC STANDARD WITH 90° INSIDE CORNERS

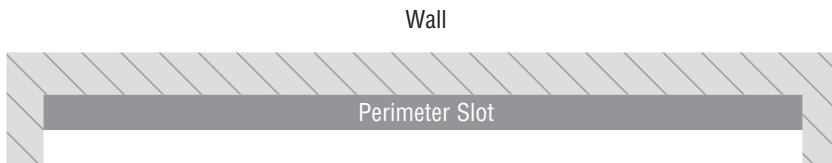


ENDCAP OPTIONS

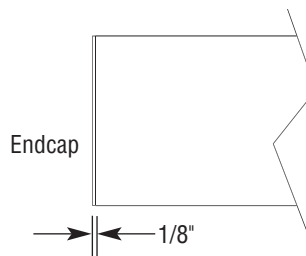
STANDARD FLAT (FE-L or FE-R)



Adds 1/8" per endcap to the section length. Spackle Flange version shown, T-Bar available.



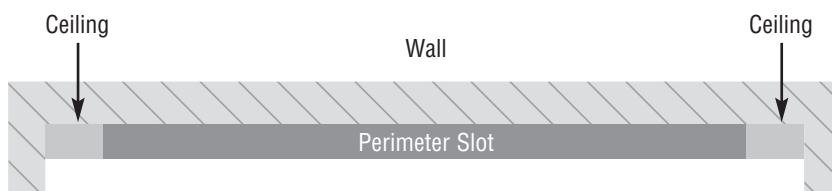
Flat end condition for when luminaire terminates at a vertical surface such as a wall.



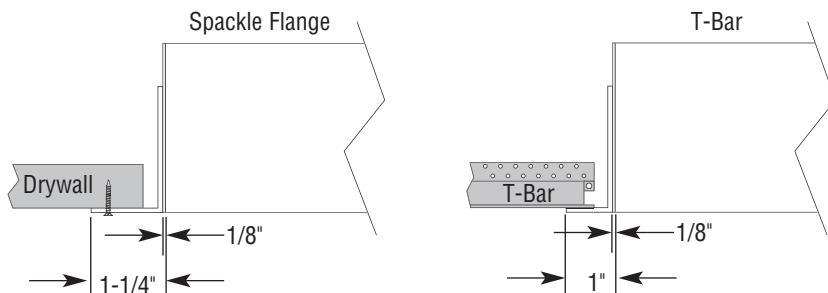
POCKET SLOT (PE-L or PE-R)



Adds 1-1/4" for Spackle Flange and 1" for T-Bar (includes endcap dimension 1/8") per endcap to the housing length on shop drawings. T-Bar version shown, Spackle Flange available.



Pocket slot end condition for when slot terminates before meeting additional vertical wall surface.



A brand of LeGrand

FINELITE

High Performance Perimeter Slot (HP-WS)

PHOTOMETRY – 4' Luminaire

4"W x 2"D

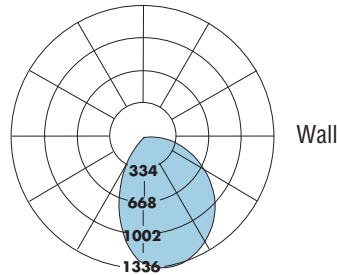
Very High Output - 120V

Efficacy: 84 lumens per watt

Total Luminaire Output: 3097 lumens (774 lumens/foot)
37 watts (9.3 watts/foot)

CCT: 3500K

ITL LM79 Report: 86712



CANDELA DISTRIBUTION

| | 0.0 | 45 | 90 | 135 | 180 | Flux |
|----|------|------|------|------|------|------|
| 0 | 1235 | 1235 | 1235 | 1235 | 1235 | |
| 5 | 1280 | 1264 | 1229 | 1198 | 1168 | 116 |
| 15 | 1333 | 1280 | 1172 | 1002 | 903 | 321 |
| 25 | 1323 | 1241 | 1060 | 746 | 586 | 460 |
| 35 | 1258 | 1150 | 909 | 489 | 297 | 519 |
| 45 | 1144 | 1020 | 735 | 248 | 60 | 502 |
| 55 | 967 | 859 | 555 | 49 | 2 | 436 |
| 65 | 741 | 654 | 375 | 3 | 0 | 344 |
| 75 | 514 | 437 | 204 | 2 | 0 | 233 |
| 85 | 295 | 232 | 52 | 1 | 0 | 121 |
| 90 | 188 | 132 | 0 | 0 | 0 | |

| | Total Light Output, 3500K, 80 CRI (Lumens) - 4' Luminaire | | | |
|-----------|---|------|------|------|
| | S* | B* | H* | V** |
| 4"W x 2"D | 1268 | 1594 | 2409 | 3097 |

| | Light Output, 3500K, 80 CRI (Lumens Per Foot) | | | |
|-----------|---|-----|-----|-----|
| | S* | B* | H* | V** |
| 4"W x 2"D | 317 | 398 | 602 | 774 |

| | Power, 3500K, 80 CRI (Watts Per Foot) | | | |
|-----------|---------------------------------------|-----|-----|-----|
| | S* | B* | H* | V** |
| 4"W x 2"D | 3.6 | 4.6 | 7.1 | 9.3 |

| | Efficacy, 3500K, 80 CRI (Lumens Per Watt) | | | |
|-----------|---|----|----|-----|
| | S* | B* | H* | V** |
| 4"W x 2"D | 88 | 87 | 85 | 84 |

S - Standard Output, **B** - Boosted Standard Output, **H** - High Output, **V** - Very High Output

* Family Correlation based on 4' luminaire 3500K Very High Output (V) test - 120V.

** Based on ITL report: 86712

Notes

– Refer to LM-79 reports for other configurations.

| Lumen Adjustment Factors - 80 CRI | |
|-----------------------------------|-------|
| 3000K | 0.985 |
| 3500K | 1.000 |
| 4000K | 1.032 |

| Lumen Adjustment Factors - 90 CRI | |
|-----------------------------------|-------|
| 3000K | 0.746 |
| 3500K | 0.760 |
| 4000K | 0.789 |

Apply a lumen adjustment factor to calculate lumens for the desired CCT and CRI.

SAMPLE LUMEN ADJUSTMENT CALCULATION

High Output (H), 4000K, 90 CRI

Lumen Adjustment Factor = 0.789

$$\text{Total Light Output} = 2409 \text{ lm} \times 0.789 = 1901 \text{ lm}$$

$$\text{Total Light Output per Foot} = 602 \text{ lm/ft} \times 0.789 = 475 \text{ lm/ft}$$

$$\text{watts/foot} = 7.1 \text{ W/ft}$$

$$\text{Efficacy} = \frac{475 \frac{\text{lm}}{\text{ft}}}{7.1 \frac{\text{W}}{\text{ft}}} = 67 \text{ lm/W}$$

FINELITE

High Performance Perimeter Slot (HP-WS)

SPECIFICATIONS

CONSTRUCTION: Precision cut 6061-T6 extruded aluminum visible flange. Internal joiner system, plug-together wiring standard. Steel sheet metal galvanized and powder coated body.

ENDCAPS: The luminaire can terminate in three different end conditions to accommodate project needs. Endcaps are made of 20-gauge die-formed powder-coated steel. Flat (standard) Endcap adds 1/8", Pocket Slot Endcap adds 1-1/4", and for Telescoping Endcap refer to telescoping section below.

END CONDITIONS:

FLAT (standard) (FE-L or FE-R): Is used when the luminaire terminates at a wall. Adds 1/8" per endcap to overall length of the luminaire.

POCKET SLOT (PE-L or PE-R): Includes the necessary hardware to accommodate ceiling materials when the luminaire doesn't terminate at a wall. Adds 1-1/4" for Spackle Flange and 1" for T-Bar per endcap to overall length of the luminaire.

TELESCOPING (TXL-L or TXL-R): Provides up to 12" of additional illuminated section to accommodate variances in the built-in wall slot. Telescoping available on both ends of 4' and 8' luminaire sections. Adds a minimum of 1" per end to overall section length. Telescoping only available at one end of 2' and 3' luminaire sections. Adds a minimum of 2" to overall length of 2' sections and a minimum of 1" to overall length of 3' sections. Telescoping is standard with corners. Telescoping section must end at wall and be secured with bracket (provided).

90° CORNER: Illuminated 90° inside and outside corners. Standard with telescoping sections. Tapered optics is standard with inside corners.

REFLECTORS: Finelite Signal White powder coat finish standard.

DIFFUSER: Frosted diffusers are 1/16". All diffusers are UV-stabilized and impact resistant virgin acrylic.

LIGHT OUTPUT: Four lumen packages available; Standard (**S**), Boosted Standard (**B**), High (**H**), and Very High (**V**). A separate chart summarizes lumen distribution and wattage. Light engines are replaceable.

LUMEN MAINTENANCE: 90% of initial light output (L90) at 100,000+ hours; 70% of initial light output (L70) at 200,000+ hours.

DRIVER: Replaceable 120V/277V Constant Current Reduction dimming driver standard. Can be wired dimming or non-dimming. 0-10V dimming controls with a range of 10% - 100%. Dimming to 1% available; consult factory. Driver is fully accessible from below the ceiling. Power Factor: ≥ 0.9 . Total Harmonic Distortion (THD): $< 20\%$. Step-dimming driver (limited programmable outputs. Contact Factory). Expected driver lifetime: 100,000 hours.

LUTRON DRIVER OPTIONS: **LUTES1** (Hi-lume 1% EcoSystem with Soft-On, Fade to Black dimming (LDE1 series)); **LUTES5** (5-Series 5% EcoSystem (LDE5 Series)), **LUT2W** (Hi-lume 1% 2-wire, 120V forward phase dimming (LTEA series)); Contact factory for availability of discontinued Lutron drivers, L3DA-3-wire and L3DA EcoSystem.

ELECTRICAL: Optional emergency to generator/inverter wiring, internal generator transfer switch, nightlight wiring, backup battery. Factory-choice low-profile backup battery available. Chicago Plenum Option available (includes telescoping luminaires). 8' minimum luminaire length for low profile battery pack. Backup batteries deliver 1519 lumens. Half of a 4' section will be illuminated in emergency mode. Optional fusing is available.

CIRCUITING: 3' sections with telescoping and 4' sections can be specified with up to 2 circuits. 8' sections can be specified with up to 4 circuits. All others are available with a single circuit. Contact factory for more information.

MOUNTING: The standard mounting (Threaded Rod - TR) option eliminates the need to install luminaires prior to the slot being framed. Luminaire mounts on threaded rods. Gasket runs length of luminaire ensuring a clean finish at the wall. Optional mounting includes a wall bracket that is attached to the wall. Luminaires are then snapped onto the bracket. Luminaire installation that uses the mounting bracket must be performed before the perimeter slot framing is built.

FINISH: Finelite Signal White powder coat finish standard. Optional adder: 185 colors available using RAL color chart. Custom color applies to the visible T-Bar flange.

FEED: Standard with one 18-gauge/5-conductor single-circuit feed. 14-gauge feed used when luminaire current exceeds 5 amps. Optional 6' flex conduit whips available. Dual knockouts (for dual flex conduit) are available at the top and rear feed locations. Endcaps have a single knockout and support a single flex conduit only.

LENGTHS: Standard 2', 3', 4', and 8' section lengths can be combined to make longer runs. Optional telescoping sections on straight runs add a minimum of 1" up to 12" at the end of the luminaire. Contact factory for corner details and availability. Telescoping sections are available on either or both ends of the luminaire.

LABELS: Luminaire and electrical components are ETL-listed conforming to UL 1598 in the U.S.A. and CAN/CSA C22.2 No. 250.0 in Canada. In accordance with NEC Code 410.73 (G), this luminaire contains an internal driver disconnect. IC-Rated. Damp Location. Finelite products use electronic components that are RoHS compliant, and the mechanical components of the luminaire have been verified to not knowingly contain any restricted substances listed per RoHS Directive 2011/65/EU. Finelite makes the specification process easy when putting healthier products on your projects. Simply add – **RLA** (Red List Approved) or – **RLD** (Declared Label) to your part number.

WEIGHT: 5.6 lb/ft.

WARRANTY: 10-year performance-based warranty on all standard components. Optional accessories such as emergency battery packs are covered by their individual manufacturer warranties.