

Submitted by:		Date:
Type:	Project:	
Ordering Info:		



# 10W Battery Backup



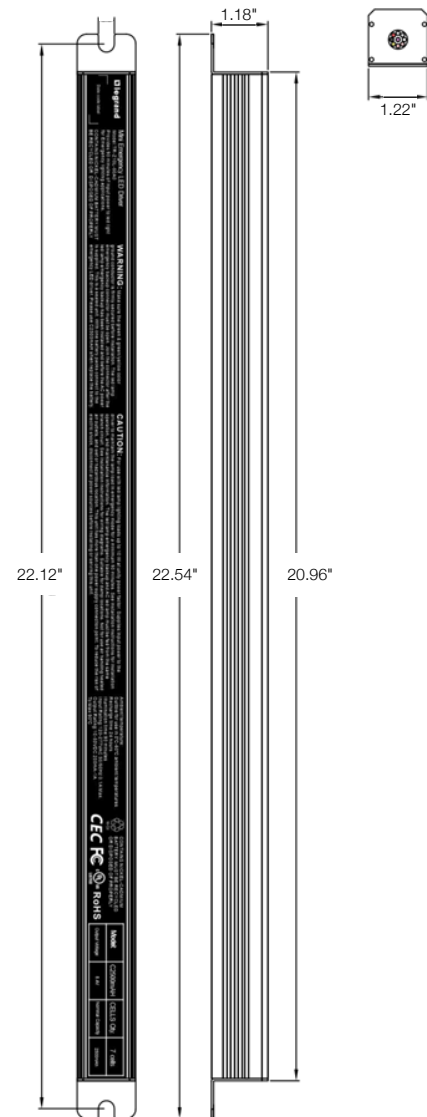
Legrand's 10W LED low profile battery backup is factory wired and tested in Finelite luminaires. The unit combines with an emergency driver and battery pack in a slim case. Check individual luminaire specifications for lumen output. 5-year performance-based warranty on all standard components.

**Finelite Part No.:** 77209

## SPECIFICATIONS

<b>Universal Input Voltage</b>	120-277VAC, 50/60Hz
<b>AC Input Current</b>	0.1A Max @ 120-277 full load
<b>AC Input Power Rating</b>	5W Max
<b>Inrush Current</b>	25 A Max
<b>Output Voltage</b>	10-50VDC
<b>Output Current</b>	200-1000mA
<b>Output Power</b>	10W
<b>Emergency Operation</b>	90 minutes
<b>Operating Temperature Range</b>	0°C to 60°C, Tc max 72°C
<b>Battery</b>	One pack of nickle cadmium batteries
<b>Battery Lifetime</b>	Battery charge and discharge cycle more than 500 times
<b>Driver Lifetime</b>	50,000 hours @ 120 VAC, 80% load and 45°C ambient temp.
<b>Recharge Time</b>	24 hours
<b>Battery Discharge Protection</b>	Yes
<b>Battery Charge Protection</b>	Yes
<b>Over Voltage Protection</b>	Yes
<b>Short Circuit Protection</b>	Yes
<b>Weight</b>	2.2 lbs ±0.2
<b>Compliance</b>	cULus - UL924, CSA-C22.2 No.141, FCC Part 15 Class B, RoHS and CEC Compliant, For Field or Factory Installation

## DIMENSIONS



## OPERATION

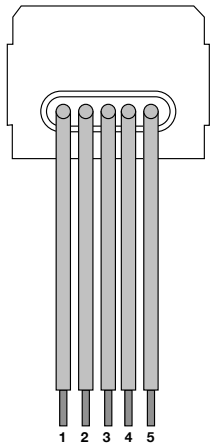
Upon power failure, the luminaire with battery backup switches to emergency mode (<1 second) and will continue operating for a minimum of 90 minutes.

Submitted by:		Date:
Type:	Project:	
Ordering Info:		

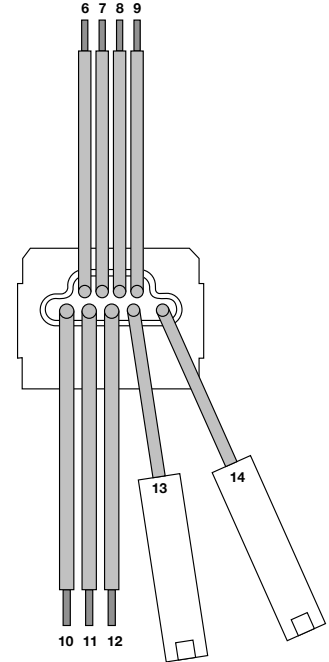


## WIRE CONNECTION

Front View



No.	Wire Color	Definition
1	Green	Ground
2	White	Neutral
3	Black	Constant Hot
4	Brown	Switched Hot
5	Red	AC_Hot Output
6	Blue	Test Button
7	Blue	Test Button
8	Blue/Red	Indicator LED+
9	Blue/Black	Indicator LED-
10	Black/White	Output to LED-
11	Yellow	AC LED Driver Output LED+
12	Red/White	Output to LED+
13	Brown	Fuse
14	Brown	Fuse



## SWITCHED FIXTURE WIRING DIAGRAM

