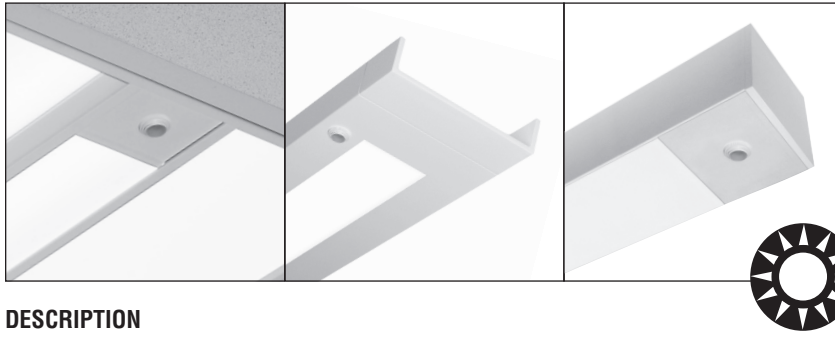


FINELITE

Integrated Sensor - Daylight



Date

Project

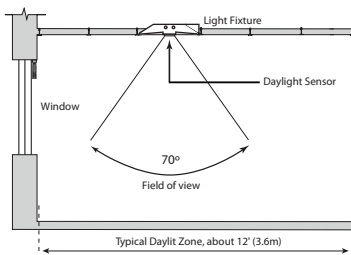
Type

Comments

DESCRIPTION

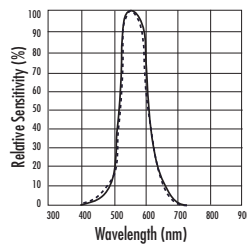
Integrated Daylight Sensor is integrated in the luminaire in a clean and seamless manner. Easy to specify and commission, this solution simplifies installation, maximizes user satisfaction, and saves energy. The Daylight Sensor integrates with standard 0-10 VDC dimming ballasts to provide for continuous dimming of luminaires within a designated controlled zone.

Integrated Daylight Sensor is a closed loop system. It will measure the total light level from the daylight and electric light in the controlled area. Finelite's luminaire units which equipped with a Daylight Sensor should be located in areas where the sensor will see diffuse surfaces and sections of the space that will represent the desired lighting conditions in the controlled zone.



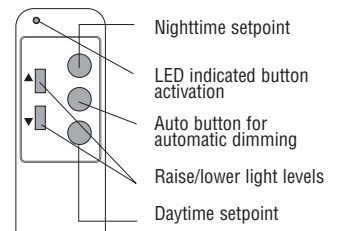
SENSOR SPACIAL RESPONSE:

Peak sensitivity of the Daylight Sensor occurs within a 70° field of view. Locate the luminaire equipped with the Daylight Sensor where the field of view will represent desired lighting conditions.



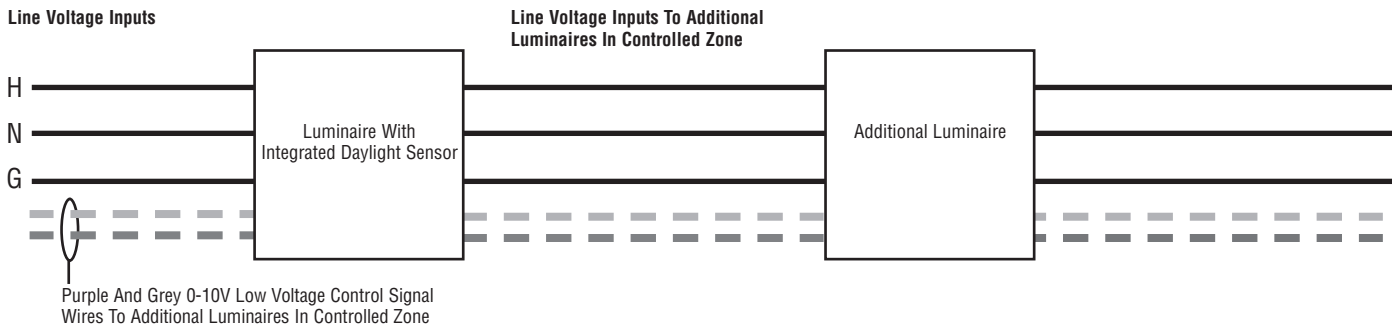
SENSOR SPECTRAL RESPONSE:

The spectral response of the Daylight Sensor closely matches the sensitivity of the human eye. This feature ensures accurate calibration for the desired perceived illumination.



HANDHELD COMMISSIONING DEVICE:

Setting levels is easy with the Handheld Commissioning Device. Set-up is performed from ground level without tools. The Daylight Sensor then automatically calculates the required electric light output as daylight conditions vary.



WIRING DIAGRAM

Including the ballasts installed in the luminaire that are equipped with the Daylight Sensor, up to (50) fifty 0-10 VDC dimming ballasts on LED drivers may be wired together as a single controlled zone. Contact factory for available 0-10 VDC dimming ballasts.