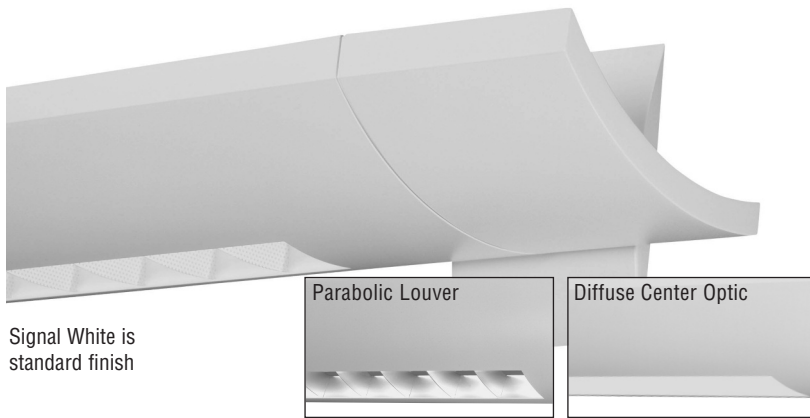


FINELITE

Series 12WM-P, I, ID Technical Sheet



Signal White is standard finish

DESCRIPTION

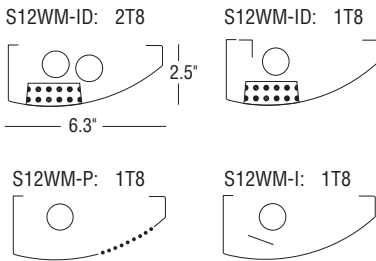
Series 12 Wall Mount comes in three distinct styles; P with perforations, I - 100% indirect, and Indirect/Direct (ID) with either WCB White Cross Blade, PLV Parabolic Louver baffles or Diffuse Center Optic. All fixtures are available with 1 or 2 T8, T5 or T5HO lamps in 4' and 8' lengths. Standard flat endcaps or optional curved die-cast endcaps. Mounting includes SO standoff mount, MB mounting bracket, or SUR surface mount flush to wall without a mounting bracket.

Date

Project

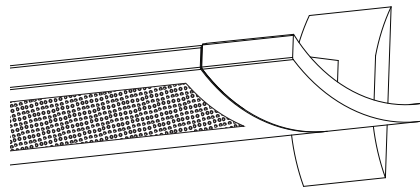
Type

Comments



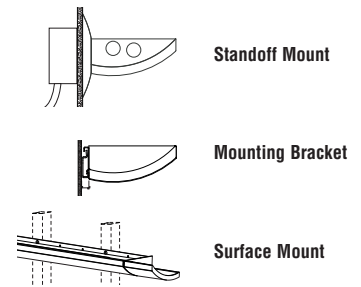
DIMENSIONS / LAMPING:

Available in 1 or 2 T8, T5, or T5HO lamps.
Available in 4' and 8' section lengths.



ENDCAP SELECTION:

S12 Wall Mount is available with standard flat endcap on optional curved diecast endcap.

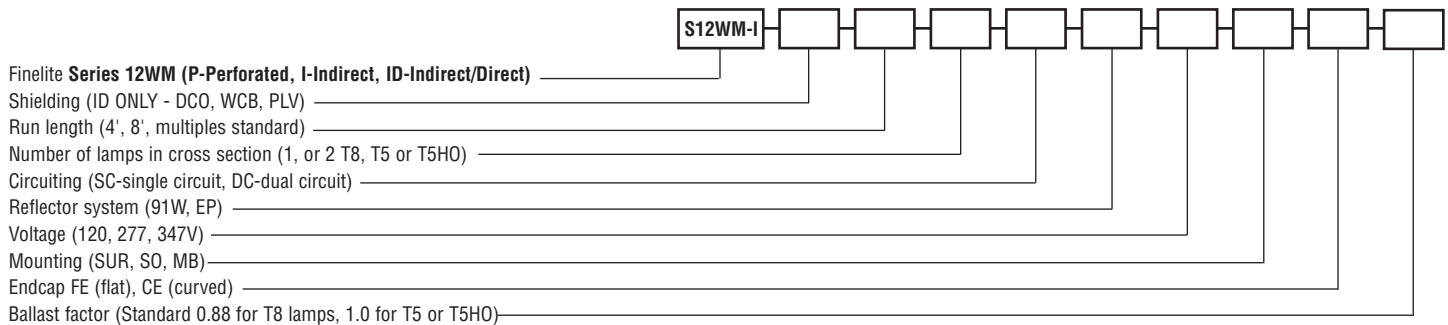


MOUNTING OPTIONS:

Mounting includes SM standoff mount, MB mounting bracket, or SUR surface mount flush to wall without a mounting bracket.

ORDERING GUIDE

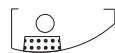
Sample Number: S12WM-I - WCB - 32' - 2T8 - SC - 91W - 277 - SUR- FE - 0.88



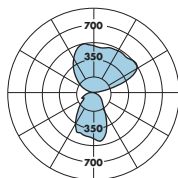
FINELITE

Series 12WM-P, I, ID Technical Sheet

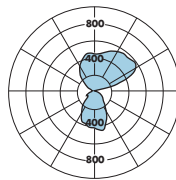
PHOTOMETRY



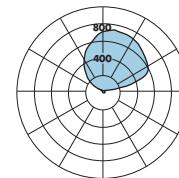
S12WM-ID: 1 T8-WCB-91W
 Efficiency: 83.3%
 Peak Candela Value: 538@ 125°
 LSI Report: 18462



S12WM-ID: 1 T8-WCB-EP
 Efficiency: 83.4%
 Peak Candela Value: 612@ 125°
 LSI Report: 18466



S12WM-P: 1 T8-91W
 Efficiency: 77.3%
 Peak Candela Value: 712@ 155°
 LSI Report: 18562



CANDLEPOWER SUMMARY						
	0.0	22.5	45.0	67.5	90.0	Flux
0	457	457	457	457	457	
5	451	455	463	469	478	23
15	411	434	468	485	486	64
25	353	397	394	391	383	89
35	286	330	293	279	262	91
45	213	235	191	174	169	77
55	143	150	122	127	131	60
65	82	83	80	92	90	42
75	41	45	43	48	45	24
85	10	13	9	12	9	6
90	0	0	0	0	0	
95	18	83	48	54	37	34
105	98	223	291	305	268	131
115	180	273	403	488	501	184
125	258	319	415	499	538	182
135	328	363	437	488	502	164
145	386	400	448	486	499	139
155	431	427	455	478	484	105
165	462	452	450	455	460	64
175	474	469	462	461	460	22
180	473	473	473	473	473	

CANDLEPOWER SUMMARY						
	0	22.5	45	67.5	90	Flux
0	447	447	447	447	447	
5	442	444	449	453	461	22
15	402	418	444	463	464	61
25	345	377	378	375	369	85
35	281	317	282	272	256	88
45	210	227	187	169	166	75
55	140	146	120	125	128	59
65	81	82	79	91	89	42
75	39	45	42	48	45	23
85	9	14	8	13	9	6
90	0	0	2	1	2	
95	16	78	25	25	6	29
105	92	220	310	325	280	136
115	172	285	439	539	550	198
125	248	338	462	560	612	200
135	315	382	486	559	580	181
145	373	413	490	544	568	150
155	416	430	481	519	535	110
165	445	444	461	475	486	65
175	460	454	449	450	451	22
180	457	457	457	457	457	

CANDLEPOWER SUMMARY						
	0	22.5	45	67.5	90	Flux
0	23	23	23	23	23	
5	23	24	25	24	25	1
15	23	24	26	27	29	4
25	20	23	26	29	31	6
35	17	23	27	31	33	8
45	14	19	24	29	31	9
55	8	16	23	27	29	9
65	5	11	18	23	25	8
75	2	7	12	18	19	6
85	0	3	6	11	11	4
90	0	6	13	14	16	
95	25	139	126	162	131	72
105	148	282	424	505	484	197
115	272	369	490	600	635	236
125	380	454	548	633	664	241
135	473	529	605	669	686	230
145	554	615	647	696	707	202
155	618	658	674	702	712	156
165	662	684	703	715	711	98
175	685	688	695	695	695	34
180	682	682	682	682	682	

— Refer to www.finelite.com for additional photometry and product information.

SPECIFICATIONS

CONSTRUCTION: Body is 20-gauge die-formed steel with 18-gauge die-formed internal joiner system, plug-together wiring standard. All components are hard-tooled to tolerances of 0.010".

S12WM-P ONLY: Precision-punched 0.093" diameter perforations cover the bottom side of the fixture.

ENDCAPS: (FE) Flat Endcap standard, 20-gauge die-formed steel, adds 0.1" at each end. Optional: (CE) Curved Endcap, aluminum die-cast endcap with 0.100" reveal, add 5.0" at each end. No exposed fasteners, holes or knockouts.

REFLECTORS: Standard (91W) 91 White : Die-formed pre-painted aluminum, 91% reflective white. Optional Extended Performance (EP) reflector system.

(S12WM-ID ONLY)

SHIELDING OPTIONS:

- DCO Diffuse Center Optic, 73% transmissive, 99% diffusion.
- WCB White Cross Blade Baffle, white cross blades with curved bottoms, perforated;
- PLV Parabolic Louver, semi-specular louvers with straight edge, spaced approximately 1.0" apart.

ACCESSORY: Optional Dust Cover, clear acrylic. T5 and T8 lamps only. Not suitable for T5HO lamps. NOTE: Will significantly impact light level performance. Contact Factory.

ACCESSORY S12WM-P ONLY: Optional Clearper™ Lens factory installed, semi-translucent opal acrylic, UV stable, covers perforations inside fixture. Standard with 1-T5HO lamp. NOTE: Impacts light level performance. Contact Factory.

ELECTRICAL: 120 or 277V prewired. Fixture and electrical components are UL/C-UL listed and fixture will bear UL/C-UL labels. Optional Adders: 347V prewired, dual circuit, emergency circuits, low-profile emergency battery packs. Contact factory.

LAMPING: Available in 1 or 2 T8, T5, or T5HO lamp cross sections.

BALLAST: Electronic instant-start ballast <10% THD, 0.88 BF standard for T8 lamps. Electronic rapid-start ballasts <10% THD, 1.0 BF standard for T5/T5HO lamps. Optional adders: rapid-start ballasts (standard for T5/T5HO), 347V, emergency battery packs, dimming ballasts (controls by others). Requires low-profile ballasts and battery packs.

MOUNTING OPTIONS: Standard (SUR) Surface Mount, fixture is bolted directly into existing wall studs. Optional (SO) Standoff Mount, fixture hangs from tapered mounting bracket fastened to wall at fixture ends and joints. Standoff bracket measures 4.5" wide, 6.0" tall, and 0.5" deep. Fixture hangs 0.5" from wall. Feed goes through mount to vertical J-box. Optional (MB) Mounting Bracket, fixture hangs from bracket fastened directly to wall. Mounting bracket in 4', 8' lengths. Fixture hangs 0.5" from wall. Mounting bracket is concealed behind fixture.

FEED: 18 gauge wire. 14 gauge wire used when fixture current exceeds 6 amps. Optional feed uses cord.

FINISHES: Finelite Signal White standard. Optional Adders: 185 colors available from Tiger Drylac's RAL color chart.

LENGTHS: 4' and 8' section lengths can be combined to make longer runs. Contact factory for additional lengths.

WEIGHT: Fixture weight = 2.0 lb/ft.

LABELS: Fixture and electrical components are ETL listed conforming to UL 1598 in the U.S.A., and Canada; ETL listed to certified CAN/CSA C22.2 No. 250.0. Fixtures will bear ETL labels.