

4" LED Wall Wash Downlight

LF4ML WW

120V - 277V
0-10V Dimming

APPLICATIONS:

LiteFrame LF4ML is a 4" specification grade LED open downlight that utilizes high efficiency LEDs to obtain color consistency, energy savings, and low maintenance costs. 50,000 hours minimum life up to 35°C (95°F) in open plenum applications.

HOUSING:

One-piece 22 gauge non-corrosive steel platform. Pre-wired j-box with snap-on cover for easy access. Snap-in-connection from driver compartment allows easy installation of light engine/trim assembly without tools above or below the ceiling and can be upgraded to accommodate technology improvements. Approve for 8 (4 in/4 out) No. 12 AWG conductors rated for 90°C through wiring.

REFLECTOR:

High purity aluminum, Alzak, iridescence suppressed, semi-diffuse reflector. Self-trim standard. Painted white self-trim (WT) available as option.

LED LIGHT ENGINE:

The LF4ML uses the Philips Fortimo DLM LED Module. This module provides controlled color consistency (3 SDCM) from fixture to fixture. The system is designed for optional life and lumen maintenance (>50,000 hours at 70% lumen maintenance). Both reflector and light engine assembly are mechanically retained to housing.

LED DRIVER:

The LF4ML utilizes the Philips Fortimo LED Driver specifically designed to optimize efficiency of the

Fortimo DLM Module. Driver is designed to match the 50,000 hours minimum life expectancy of the system. Meets UL Class 2, inherent short circuit protection, self limited, overload protected. If critical temperatures are reached on driver or LED module, integrated thermal feedback loop will gradually reduce current to protect system life. Driver is universal 120V-277V. Optional Lutron Series A driver is also available.

DIMMING:

Comes standard with 0-10V dimming capability. Flicker-free dimming to 10%. 0-10V control may consume up to 1mA. 0-10V, Lutron 2 wire and EcoSystem dimming available to 1% and DMX with RDM (remote device management) dimming to less than 0.1%.

INSTALLATION:

Adjustable Bar hangers included (not with CP option). Universal adjustable mounting brackets also accept 1/2" EMT conduit or 1 1/2" or 3/4" lathing channel (by others) or Prescolite 24" bar hangers (B24 or B6).

CERTIFICATIONS:

CSA certified to US and Canadian safety standards. Approved for through wiring. Non-IC rated. UL approved for NSF2 splash zone applications.

WARRANTY:

5 year warranty. See www.prescolite.com for details.

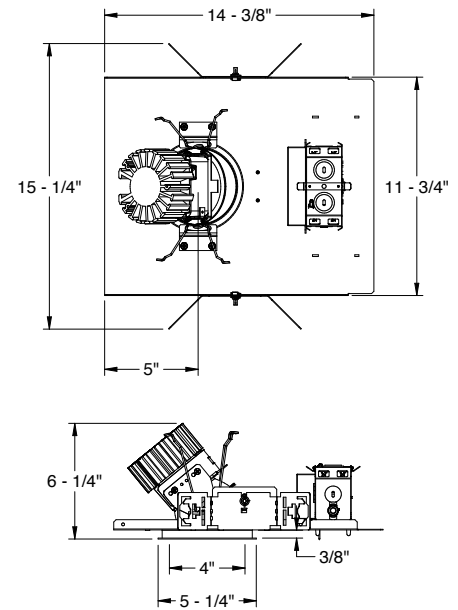
DATE: _____ TYPE: _____

FIRM NAME: _____

PROJECT: _____

LiteFrame®

Ceiling Cutout: 5"
Maximum Ceiling Thickness ⁵/₈"
For conversion to millimeters,
multiply inches by 25.4
Not to Scale



See page 3 for CP, LV(E)
and NX(W/E) line art

CATALOG NUMBER:

EXAMPLE: LF4ML-4LFML30L40K8WW

Order housing, reflector, and accessories separately

HOUSING	DRIVER OPTION	VOLTAGE OPTION	HOUSING OPTIONS	TRIM APERTURE	REF. FINISH OPTIONS	REF. COLOR OPTIONS	TRIM OPTIONS	ACCESSORIES
<input type="checkbox"/> LF4ML Medium Lumen 0-10V 10% dimming 120-277V	Standard 0-10V 10% Dimming <input type="checkbox"/> DM1^{1,6} 0-10V dimming at 1%, 120-277V <input type="checkbox"/> EDM^{1,6} Hi-Lume 1% EcoSystem LED Driver <input type="checkbox"/> 2DM^{1,6} Hi-Lume 1% 2-wire LED Driver (120V only) <input type="checkbox"/> DMX^{1,6} DMX with RDM dimming to <0.1%	Standard 120V-277V <input type="checkbox"/> 120 120V <input type="checkbox"/> 277 277V <input type="checkbox"/> 347 347V	<input type="checkbox"/> CP^{1,3,7,10} Chicago Plenum <input type="checkbox"/> LV⁸ Lutron Vive Enabled, 0-10V, 120-277V <input type="checkbox"/> LVE (EDM Only) Lutron Vive Enabled, EcoSystem <input type="checkbox"/> NXWE^{7,9,10} NX Wireless Enabled <input type="checkbox"/> NXE^{7,9,10} NX Enabled, Dual SmartPorts	<input type="checkbox"/> 4LFML30L Semi-Diffuse Clear Alzak Reflector with 3000 Lumen Module KELVIN <input type="checkbox"/> 27K 2700 Kelvin <input type="checkbox"/> 30K 3000 Kelvin <input type="checkbox"/> 35K 3500 Kelvin <input type="checkbox"/> 40K 4000 Kelvin <input type="checkbox"/> 50K 5000 Kelvin	<input type="checkbox"/> 8 80+ CRI <input type="checkbox"/> 9 90+ CRI REF. FINISH OPTIONS <input type="checkbox"/> SP Semi-Diffuse <input type="checkbox"/> SS Specular <input type="checkbox"/> MFC American Matte™ <input type="checkbox"/> V Kurt Versen Specular <input type="checkbox"/> VS Kurt Versen Softglow® <input type="checkbox"/> VSS Kurt Versen SoftSheen™	Standard Clear Alzak <input type="checkbox"/> CG Champagne Gold Alzak <input type="checkbox"/> GD Gold Alzak <input type="checkbox"/> BL Black Alzak <input type="checkbox"/> WE Wheat Alzak <input type="checkbox"/> LW Light Wheat Alzak <input type="checkbox"/> PW Pewter Alzak <input type="checkbox"/> WH Painted Matte White Reflector and Flange <input type="checkbox"/> BC Painted Black Reflector and Flange	<input type="checkbox"/> WT Painted White Flange Only <input type="checkbox"/> TRG Trim Ring Gasket REFLECTOR OPTIONS <input type="checkbox"/> AM² Antimicrobial coating on reflector <input type="checkbox"/> WW Wall Wash	<input type="checkbox"/> B24³ Set of two 24" bar hangers for T-bar ceilings <input type="checkbox"/> B6³ Set of two (2) bar hangers for ceiling joist up to 24" centers <input type="checkbox"/> LiteGear⁴ Inverter, single phase central lighting, 125VA-250VA <input type="checkbox"/> LPS Series⁴ LitePower micro-inverter, 20VA- 55VA



In a continuing effort to offer the best product possible we reserve the right to change, without notice, specifications or materials that in our opinion will not alter the function of the product.
Web: www.prescolite.com • Tech Support: (888) 777-4832

LFR-LED-056

Notes:
¹ Not available with 347V
² Clear Alzak standard. Consult factory for other colors
³ Bar hanger accessory should be selected with CP housing, not included as standard
⁴ See Central Inverter compatibility note and web links on page 2
⁵ For DM, do not specify a voltage if 120 or 277
⁶ Voltage must be specified with EDM, 2DM, DMX and LVE.
⁷ Not available with DMX, LV or LVE.
⁸ LV requires standard dimming or DM1
⁹ Not available with CP option
¹⁰ Not available with EDM, 2DM or DMX

PHOTOMETRIC DATA

LiteFrame - 4" LF4ML WW Wall Wash

DRIVER DATA	4LFML30L
Input Voltage	120V - 277V
Input Frequency	50/60 Hz
Input Current	0.273A (120V) 0.118A (277V)
Input Power	32.7W
Power Factor	≥0.90
THD	<20%
EMI Filtering	FCC 47CFR Part 15, Class A
Operating Temperature	-20°C to 35°C
Dimming	0-10V
Over-voltage, over-current, short-circuit protected	

Lumen Multiplier Table

Photometrics published below are for the 3000K, 80 CRI. This table may be used to approximate the lumen values at different Kelvin temperatures and CRI.

4000 Kelvin	1.07
3500 Kelvin	1.00
3000 Kelvin	1.00
2700 Kelvin	0.95
80 CRI.....	1.00
90 CRI.....	0.91

*Power consumption and photometric output may vary slightly with various driver and CRI options.

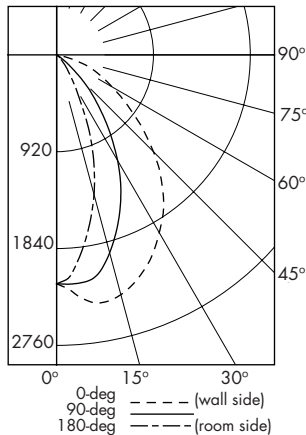
Delivered Lumens

The table below shows the delivered lumens for the various lumen outputs.

Output	CRI	Distribution	Delivered Lumens	Input Watts	Lumens Per Watt	Full Catalog String
30L	80	WW	2722	32.7	83	LF4ML-4LFML30L30K8 WW

LF4ML-4LFML30L30K8WW

LED Light Engine: 3000K, 80 CRI
System Wattage: 32.7W
Fixture Delivered Lumens: 2722
Fixture Efficacy: 83



CANDELA DISTRIBUTION

DEG	0	90	180
0	2179	2179	2179
5	2302	2185	2025
15	2363	1951	1377
25	2130	1447	642
35	1776	867	200
45	1303	372	46
55	811	61	3
65	455	6	0
75	147	0	0
85	3	0	0
90	0	0	0

LUMINANCE DATA IN CANDELA/SQ. METER

Angle in Vertical	0 DEG	90 DEG	180 DEG
45°	227063	172439	64799
55°	174292	99690	13204
65°	132611	46593	1792
75°	70228	5853	0
85°	4345	0	0

MULTIPLE UNITS									
UNITS ON 3' CENTER				UNITS ON 4' CENTER					
1'	2'	3'	4'						

2.5' DISTANCE FIXTURE MOUNTED OUT FROM WALLS

FOOTCANDLE DISTRIBUTION ON WALL SURFACE (Direct Only)

DISTANCE FROM CEILING IN FEET	1	2	3	4	5	6	7	8	9		
1	43	10	1	1	1	26	10	27	26	4	26
2	75	34	6	2	1	77	60	77	73	33	73
3	69	43	12	3	1	83	87	84	77	58	77
4	48	36	15	5	2	67	75	67	59	58	59
5	32	26	14	6	3	50	56	50	43	47	43
6	22	19	12	6	3	37	41	37	32	36	32
7	16	14	10	6	4	28	30	28	25	28	25
8	12	11	9	6	4	22	24	22	20	22	20
9	10	9	7	5	4	18	19	18	17	18	17

LF4ML-4LFML30L30K8WW

Test No. 18.00408-03

Test No. 18.00408-03

Tested at 25°C Ambient in accordance to IESNA LM-79-2008



Web: www.prescolite.com • Tech Support: (888) 777-4832

701 Millennium Boulevard • Greenville, SC 29607 U.S.A. • Phone (864) 678-1000

Copyright ©2018 Prescolite, Inc., a division of Hubbell Lighting, Inc. All Rights Reserved

Specifications subject to change without notice. • Printed in U.S.A. • LFR-LED056 • 01/15/19



Dimming Compatibility Table

Dimming Ballast	Manufacturer	Web Link
DM/DM1	Lutron DTV	http://bit.ly/11jSvZg
DM/DM1	Leviton AWRMG-7xx, AWSMG-7xx, AWSMT-7xx	http://bit.ly/1Bjn2R9
EDM	Lutron	http://bit.ly/1vtjHAL
2DM	Lutron	http://bit.ly/1S4WjXK

DMX

See instruction sheet on www.prescolite.com for connection & installation information.
Other useful links: <http://www.eldoled.com/led-drivers/powerdrive/50-watt/ac-561s/>

Central Inverters

For full fixture output in back-up mode, we recommend you visit www.dual-lite.com for your Central Lighting Inverter options. Please contact your local Hubbell representative for any assistance with proper sizing and loading of your inverter selection. Central lighting inverters must be ordered separately.

LiteGear: www.dual-lite.com/products/litegear_lg_series

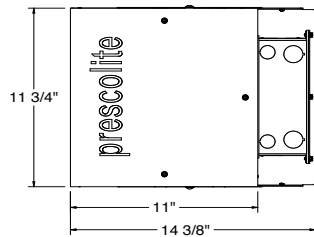
LPS Series: www.dual-lite.com/products/lps

NX Distributed Intelligence:

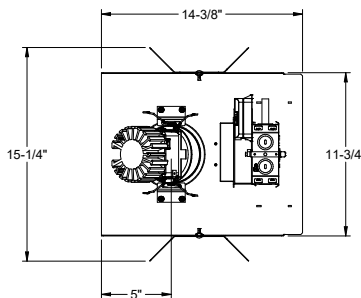
Supports indoor and outdoor applications, wired, wireless and hybrid networked NX lighting control deployments and enables emerging applications such as Hubbell Lighting's SpectraSync™ color tuning technology.

See separate [NX™ Solutions Guide](#) for additional details.

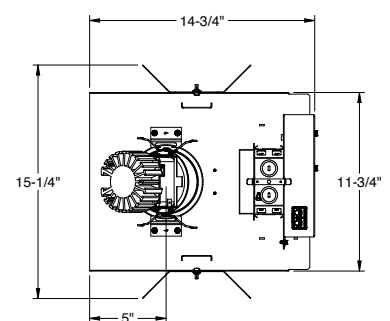
See Hubbell Controls Solution [NX Brochure](#).



LF4MLWW CP



LF4MLWW LV(E)



LF4MLWW NX(W)E

