



Mini LED Step Lights

MSL

120V

DATE: _____ TYPE: _____

FIRM NAME: _____

PROJECT: _____



APPLICATIONS:

Ideal for a wide variety of interior and exterior applications including commercial, retail, and residential. ADA compliant. Up to 32° C (90°F) ambient temperatures.

FIXTURE:

With a modern low profile cover plate, the MSL provides a smooth, broad light distribution. The cover plates are available in both sleek louver and hood patterns with several color choices.

INSTALLATION:

MSL step lights can be installed in outlet box with depth of only two inches.

LED LIGHT ENGINE:

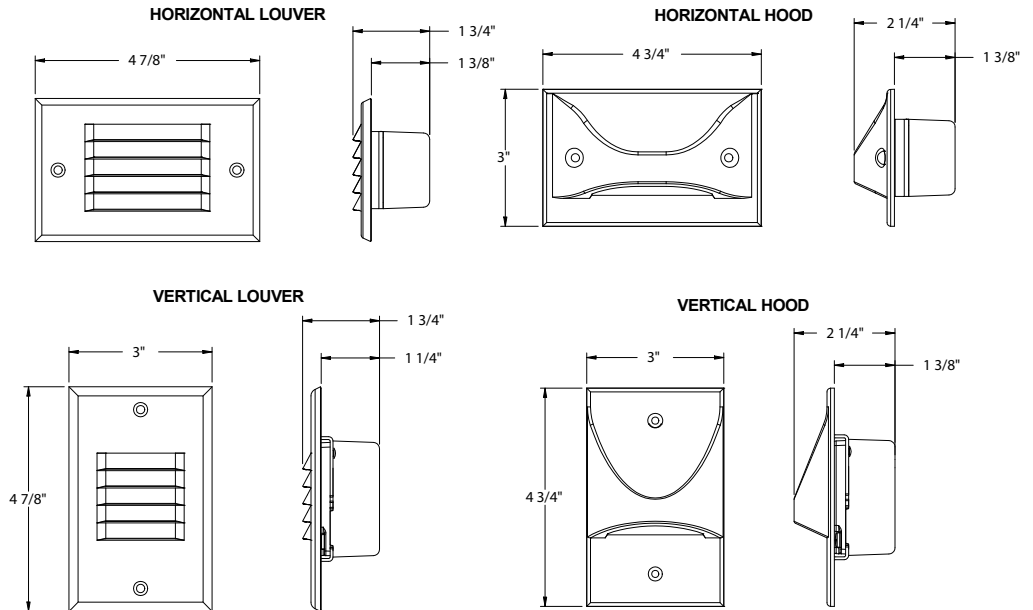
Each unit operates at 120V while only consuming 4.5W powered directly to AC without the need for a driver. Units are available in several color temperatures. System designed for optimal life of 50,000 hours at 70% lumen maintenance. Please note these units are not dimmable.

CERTIFICATIONS:

CSA certified to US and Canadian safety standards. Suitable for wet location.

WARRANTY:

5 year warranty
See www.prescolite.com for details.



CATALOG NUMBER:

EXAMPLE: MSLHL30K8 WH

HOUSING	COVER PLATE	LED COLOR	CRI	FINISH
<input type="checkbox"/> MSL Mini Step Light	<input type="checkbox"/> HL Horizontal Louver	<input type="checkbox"/> 30K 3000 Kelvin	<input type="checkbox"/> 8 80 CRI	<input type="checkbox"/> WH White
	<input type="checkbox"/> VL Vertical Louver	<input type="checkbox"/> 40K 4000 Kelvin		<input type="checkbox"/> BL Black
	<input type="checkbox"/> HH Horizontal Hood	<input type="checkbox"/> 50K 5000 Kelvin		<input type="checkbox"/> BN Brushed Nickel
	<input type="checkbox"/> VH Vertical Hood			<input type="checkbox"/> AB Antique Bronze



In a continuing effort to offer the best product possible we reserve the right to change, without notice, specifications or materials that in our opinion will not alter the function of the product.
Web: www.prescolite.com • Tech Support: (888) 777-4832

LS-LED-004

PHOTOMETRIC DATA

LiteStep - Mini LED Step Lights

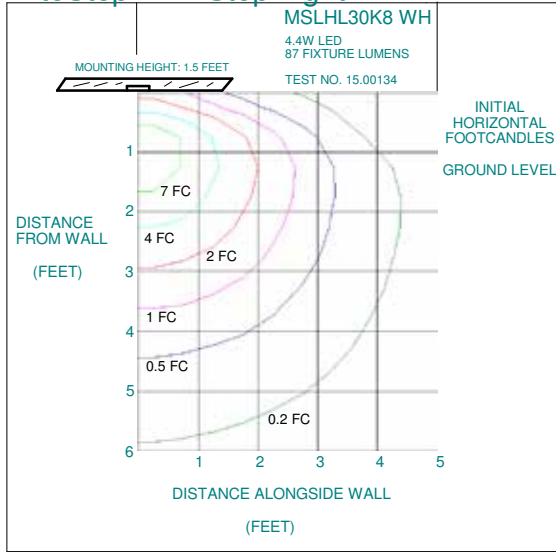
MSL

ELECTRICAL DATA

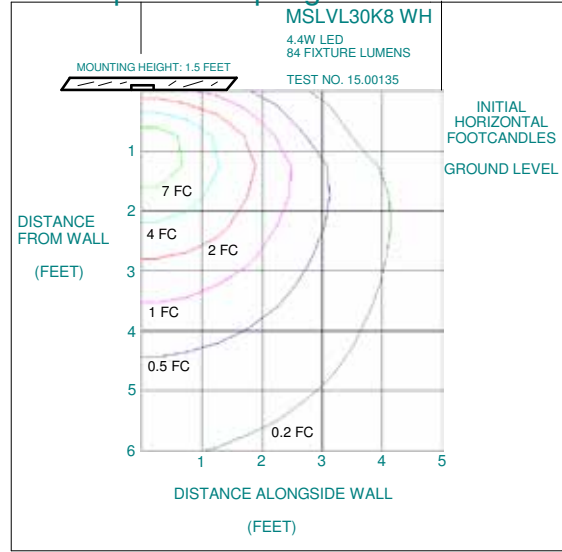
4.5W

Input Voltage	120V AC
Input Frequency	50/60 Hz
Input Current	0.04A
Input Power	4.5W
Power Factor	Over 0.95
Operating Temperature	-30° to 32°C

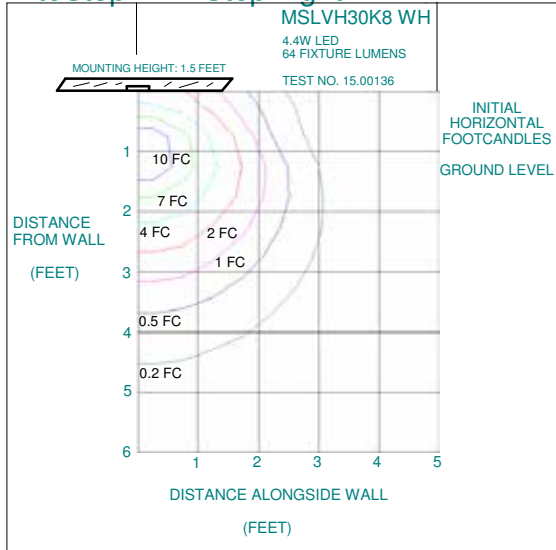
LiteStep LED Step Light



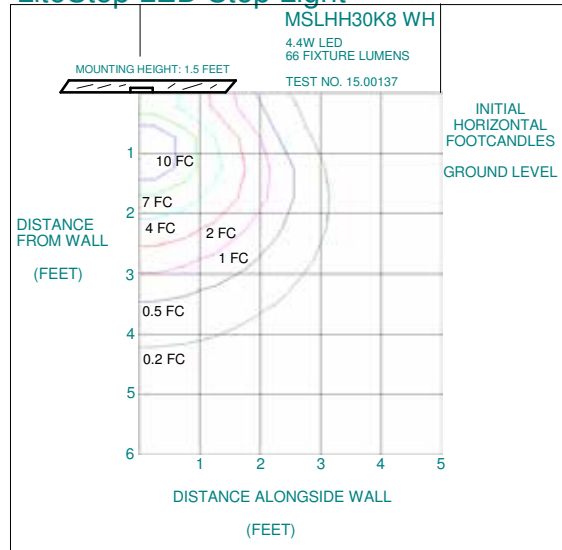
LiteStep LED Step Light



LiteStep LED Step Light



LiteStep LED Step Light



NOTES: Refer to www.prescolite.com for additional photometric tests (IES Files).

