



**Date:** \_\_\_\_\_

**Type:** \_\_\_\_\_

**Fixture:** \_\_\_\_\_

**Project:** \_\_\_\_\_

**Approved:**

**FCD24R** 2 inch round inground recessed fixture with stainless steel faceplate is IP67 rated for exterior use where inground applications are required.



## SPECIFICATIONS

### PHYSICAL

<b>beam spread</b>	spot (10°)   narrow flood (40°)   flood (50°)   wide flood (70°)
<b>lengths/dimensions [ LxDxH ]</b>	fixture: 2.5" Ø x 2.7" D housing: 1.8" Ø (bottom), 2.5" Ø (top) x 3.6" D
<b>weight</b>	.5 lbs
<b>housing</b>	marine grade, corrosion resistant, high pressure aluminum (includes mounting sleeve)
<b>lens</b>	3/8" thick clear tempered glass
<b>mounting</b>	concrete pour installation (mounting sleeve included) - drainage required (Improperly installed fixtures will void warranty)
<b>ingress protection</b>	IP67 : dry, damp or wet locations with extruded silicone to seal out contaminants
<b>finish</b>	316 machined stainless steel faceplate

### PERFORMANCE

<b>color temperature</b>	2700K	3000K	3500K	4000K	
<b>lumen output</b>	100 lm				
<b>lifetime</b>	> 70,000 hours / L70 or better				
<b>color consistency</b>	Step 3 MacAdams Ellipse/CRI typical 85   optional: 90+ CRI				
<b>temperature</b>	operating: -13°F to 104°F (-25°C to 40°C)   start up: -13°F to 104°F (-25°C to 40°C)   storage: -40°F to 176°F (-40°C to 80°C)				
<b>junction temperature</b>	73°C @ T <sup>a</sup> 25°C				
<b>warranty</b>	5 year limited warranty (refer to website for details)				

### ELECTRICAL

<b>input voltage</b>	120V AC
<b>power supply</b>	Integral Class II, electronic, high power factor > 94% @120V
<b>certification</b>	ETL/cETL Listed
<b>standards</b>	UL1598/CSA C22.2 No. 250.0; UI 8750/CSA C22.2 No. 250.13/IES LM-79/LM-80
<b>power consumption</b>	4W @ 120V only

**Expanded Disclaimer:** Due to continuous development and improvements, specifications are subject to change without notice. FC Lighting and Solid State Luminaires reserves the right to change lab test details or specifications without notice. Product use certifies agreement to Solid State Luminaires terms and conditions. FCW Series Exterior Decor fixtures are engineered and produced in our Illinois manufacturing facility.

# Ordering Information

FCD24R



## ORDERING INFORMATION

### ORDERING

FCD24R										
SERIES	VOLTAGE	SOURCE/TEMPERATURE/LUMENS			CRI	FINISH		LED OPTICS		
FCD24R	120V	LED	27K	100 Lumens (4W)	CRI85	85 CRI	SS	Stainless Steel	SP	Spot (10°)
			3K			<i>CR85 Standard</i>			NFL	Narrow Flood (40°)
			35K		CRI90	90 CRI			FL	Flood (50°)
			4K						WFL	Wide Flood (70°)

# FCD24R

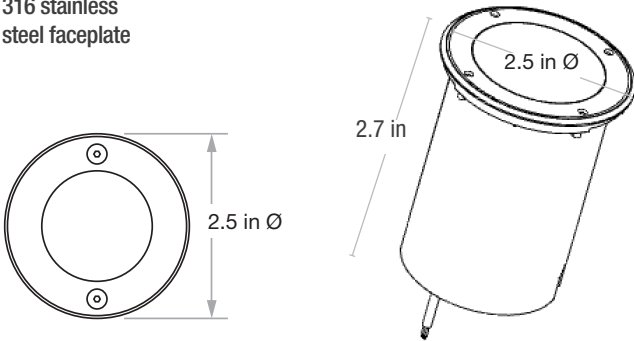


## Physical

### PRODUCT DIMENSIONS - STANDARD PRODUCT

<b>width</b>	outside diameter 2.5" Ø
<b>depth</b>	2.7" D

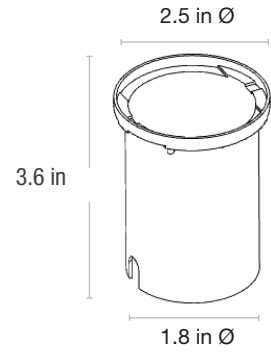
marine grade aluminum housing with 316 stainless steel faceplate



### MOUNTING - *mounting sleeve included, one per fixture*

<b>PVC housing</b>	2.5" Ø
<b>well housing depth</b>	3.6" D

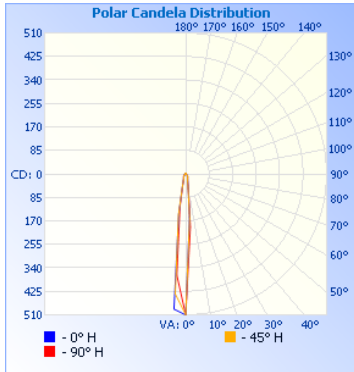
french drain required for proper installation, see installation instructions





### SPOT DISTRIBUTION

beam spread | 10°

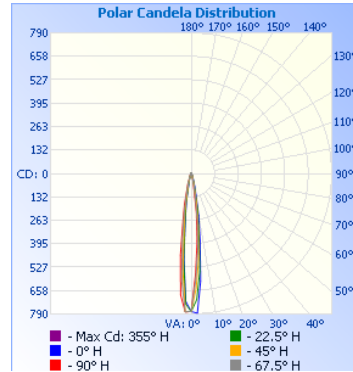


Illuminance at a Distance		
Center Beam fc	Beam Width	
1.7ft	176 fc	0.4 ft
3.3ft	46.8 fc	0.7 ft
5.0ft	20.4 fc	1.1 ft
6.7ft	11.4 fc	1.4 ft
8.3ft	7.40 fc	1.8 ft
10.0ft	5.10 fc	2.1 ft

illuminations testing laboratory:  
Report #2212

### NARROW FLOOD

40°

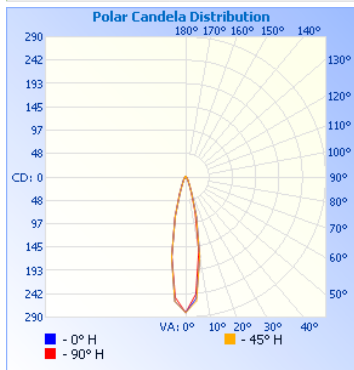


Illuminance at a Distance		
Center Beam fc	Beam Width	
1.7ft	268 fc	0.4 ft
3.3ft	71.2 fc	0.8 ft
5.0ft	31.0 fc	1.2 ft
6.7ft	17.3 fc	1.6 ft
8.3ft	11.3 fc	1.9 ft
10.0ft	7.75 fc	2.3 ft

illuminations testing laboratory:  
Report #2216

### FLOOD DISTRIBUTION

beam spread | 50°

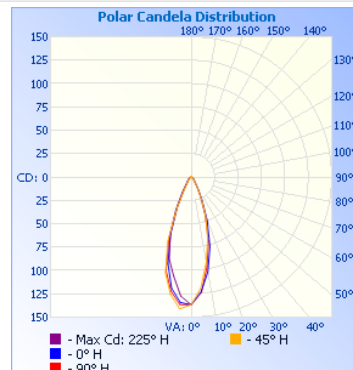


Illuminance at a Distance		
Center Beam fc	Beam Width	
1.7ft	97.0 fc	0.7 ft
3.3ft	25.7 fc	1.4 ft
5.0ft	11.2 fc	2.1 ft
6.7ft	6.25 fc	2.8 ft
8.3ft	4.07 fc	3.4 ft
10.0ft	2.80 fc	4.1 ft

illuminations testing laboratory:  
Report #2213

### WIDE FLOOD DISTRIBUTION

70°



Illuminance at a Distance		
Center Beam fc	Beam Width	
1.7ft	47.3 fc	1.1 ft
3.3ft	12.5 fc	2.2 ft
5.0ft	5.47 fc	3.3 ft
6.7ft	3.04 fc	4.4 ft
8.3ft	1.98 fc	5.5 ft
10.0ft	1.37 fc	6.6 ft

illuminations testing laboratory:  
Report #2209

FCD803R AVAILABLE OPTICS FIND IES FILES ON FCLIGHTING.COM

