

| | |
|-----------------|------------------|
| Date: | Approved: |
| Type: | |
| Fixture: | |
| Project: | |

FCD7002



FCD7002 Linear Inground 48 inch Uplight with 316 Stainless Steel Trim with aluminum well housing included is IP67 rated for exterior use where inground applications are required.



SPECIFICATIONS

PHYSICAL

| | |
|---------------------------|--|
| beam spread | Spot-10° Narrow Flood-25° Flood-40° Wide Flood-120° Asymmetric-21° x 56° |
| lengths/dimensions | fixture: 4.75"W x 3.6"D x 48.8"L mounting sleeve: 4.3"W x 9.5"D x 48"L |
| weight | 20 lbs |
| housing | marine grade, corrosion resistant, high pressure aluminum (includes mounting sleeve) |
| lens | 1KO impact compliant, 3/8" thick clear tempered, standard. Optional: SR = Slip Resistance, etched outer surface |
| mounting | concrete pour installation (mounting sleeve included) - drainage required (Improperly installed fixtures will void warranty) |
| ingress protection | neoprene continuous closed cell gasket to seal out contaminants, dry, damp or wet locations IP67 rated |
| finish | 316 machined stainless steel faceplate |

PERFORMANCE

| | | | | |
|------------------------------|--|-------|-------|-------|
| color temperature | 2700K | 3000K | 3500K | 4000K |
| lumen output | 4000 lm | | | |
| lifetime | > 70,000 hours / L90 or better | | | |
| color consistency | 2 SDCM / 84CRI optional: 90CRI | | | |
| operating temperature | -13°F to 104°F (-25°C to 40°C) | | | |
| warranty | 5 year limited warranty (refer to website for details) | | | |

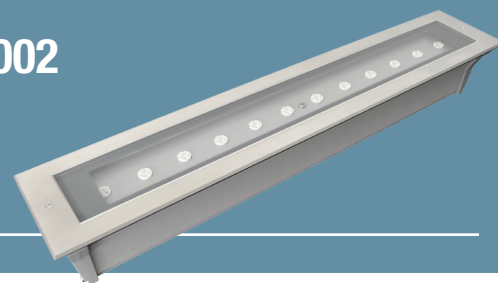
ELECTRICAL

| | |
|--------------------------|---|
| input voltage | Universal 120–277V AC |
| power supply | integral Class II, electronic high-power factor > 94% @120V |
| certifications | ETL / cETL Listed, CEC Title 24 JA8 compliant (only 90CRI complies) |
| standards | UL 1598 / CSA C22.2 No. 250.0 - Class I / IES LM-79 / LM-80 |
| power consumption | 31W @ 120V 40W @ 120V |
| dimming interface | standard: 0-10V (10%) optional: ELV (120V only) |

Due to continuous development and improvements, specifications are subject to change without notice. FC Lighting reserves the right to change lab test details or specifications without notice. Product use certifies agreement to FC Lighting terms and conditions. FCC Series Cylinder Lights are engineered and produced in our Illinois manufacturing facility.

FCD7002

Ordering Information



ORDERING INFORMATION

| FCD7002 | | | | | | | | SS | | | |
|------------------------|---------------------------------|------------------|---------------------|--------------------------|---------------------------|----------------------------------|---|----|--|--|--|
| SERIES | VOLTAGE | CCT | CRI | LUMENS | FINISH | OPTICS | OPTIONS | | | | |
| FCD7002 (48 ft) | UNV UNV 120V-277V | 27K 2700K | CRI84 84 CRI | 30L 3080 lm (31W) | SS Stainless Steel | SP Spot 10° | LD LED Dimming (0-10V) standard | | | | |
| | 120V 120V AC (integral) | 3K 3000K | CRI90 90 CRI | 40L 4000 lm (40W) | | NFL Narrow Flood 25° | ELV ELV Dimming (120 only) | | | | |
| | 277V 277V* AC (integral) | 35K 3500K | | | | FL Flood 40° | LVR Louver | | | | |
| | | 4K 4000K | | | | AYM Asymmetrical 21°x 56° | WL Opal Lens (<i>Asymmetrical N/A</i>) | | | | |
| | | | | | | WFL Wide Flood 120° | SR Slip Resistant Etched Lens | | | | |

REMOTE DRIVER & BATTERY BACKUP

| FCD7002R | | UNV | | | | | | SS | | | |
|--------------------------------------|---------------------------|------------------|---------------------|--------------------------|---------------------------|----------------------------------|--|----|--|--|--|
| SERIES | VOLTAGE | CCT | CRI | LUMENS | FINISH | OPTICS | OPTIONS | | | | |
| FCD7002R [†] (48 ft) | UNV 120V-277 Volts | 27K 2700K | CRI84 84 CRI | 30L 3080 lm (31W) | SS Stainless Steel | SP Spot 10° | LD LED Dimming (0-10V) standard | | | | |
| | | 3K 3000K | CRI90 90 CRI | 40L 4000 lm (40W) | | NFL Narrow Flood 25° | ELV ELV Dimming (120 only) | | | | |
| | | 35K 3500K | | | | FL Flood 40° | LVR Louver | | | | |
| | | 4K 4000K | | | | AYM Asymmetrical 21°x 56° | WL Opal Lens (<i>Asymmetrical N/A</i>) | | | | |
| | | | | | | WFL Wide Flood 120° | SR Slip Resistant Etched Lens | | | | |
| | | | | | | | BBUR ¹ Battery Backup Remote (Indoor) | | | | |
| | | | | | | | BBUX ² Battery Backup Remote (Outdoor) | | | | |
| | | | | | | | N/A Leave Blank for Remote Driver Only (without Battery Backup) | | | | |

[†] LED DRIVER REMOTE (INDOOR) IP20, IK08, NEMA 1, -20°C to +50°C, 30' MAX Distance with 12AWG.

* Consult factory for outdoor remote driver only.

¹ Battery Back-up & LED Driver Remote (INDOOR), IP20, IK08, NEMA 1, 0°C to +48°C, 30' MAX Distance with 12AWG (w/UNV Option Only)

² Battery Back-up & LED Driver Remote (OUTDOOR), IP67, IK10, NEMA 4X, -20°C to +55°C, 30' MAX Distance with 12AWG (w/UNV Option Only)

Due to continuous development and improvements, specifications are subject to change without notice. FC Lighting reserves the right to change lab test details or specifications without notice. Product use certifies agreement to FC Lighting terms and conditions. FCC Series Cylinder Lights are engineered and produced in our Illinois manufacturing facility.

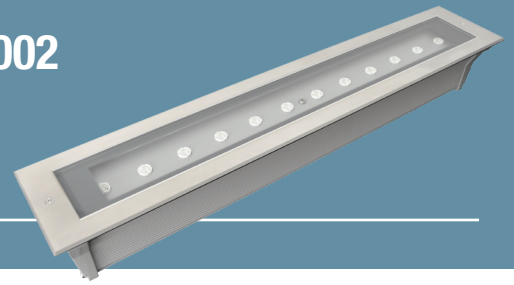
 US Commercial Lighting Manufacturer Since 1982

© FC Lighting 3609 Swenson Ave. • St. Charles, IL • 60174 | fcighting.com | 800.900.1730

Specification Sheet

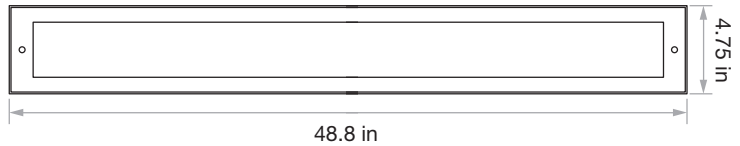
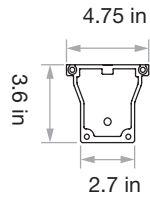
SO-JF-111521

Dimensions



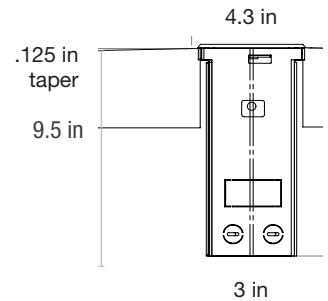
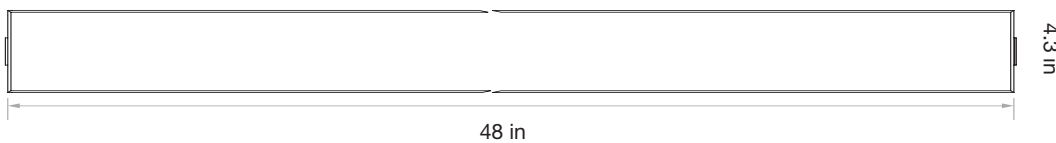
PRODUCT DIMENSIONS - STANDARD PRODUCT

| | |
|---------------|---------|
| width | 4.75" W |
| depth | 3.6" D |
| length | 48.8" L |



MOUNTING - mounting sleeve included, one per fixture

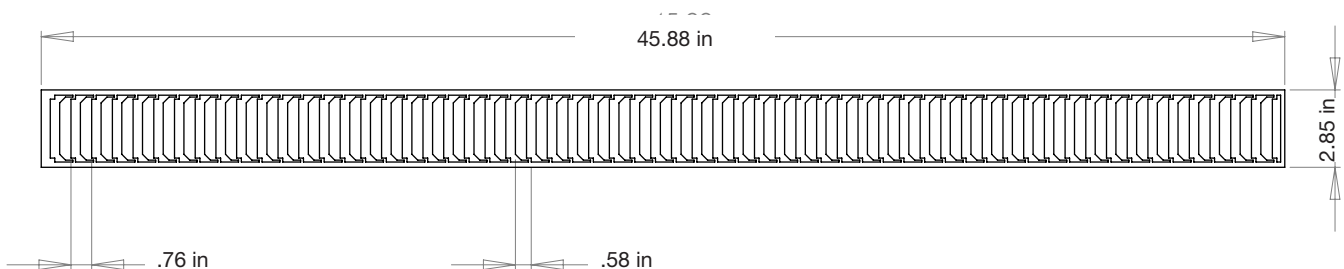
| | |
|-------------------------------|--------|
| mounting sleeve width | 4.3" W |
| mounting sleeve length | 48" L |
| well housing depth | 9.5" D |



ACCESSORIES

| | |
|---------------------|----------------|
| LVR - louver | inside housing |
|---------------------|----------------|

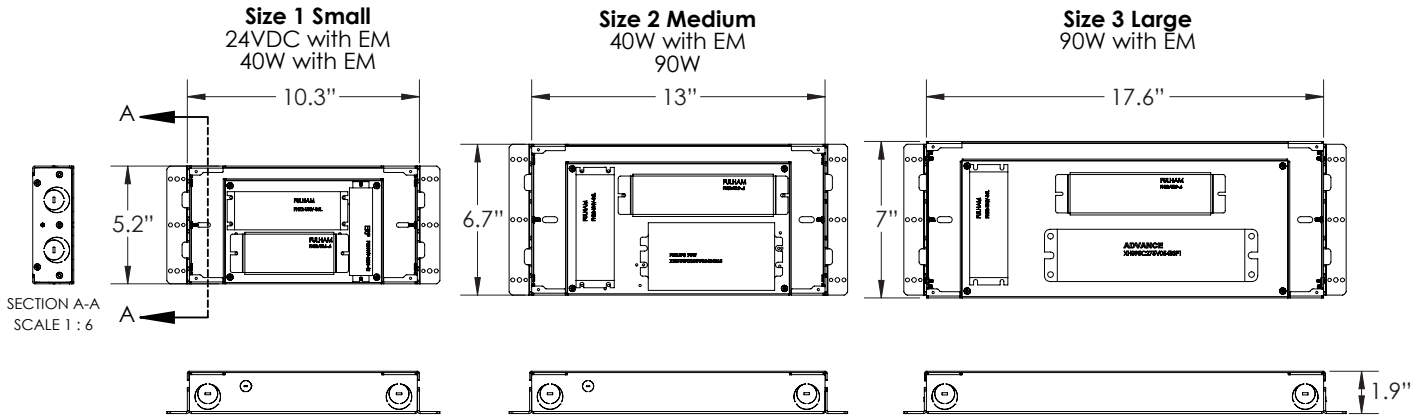
factory installation required



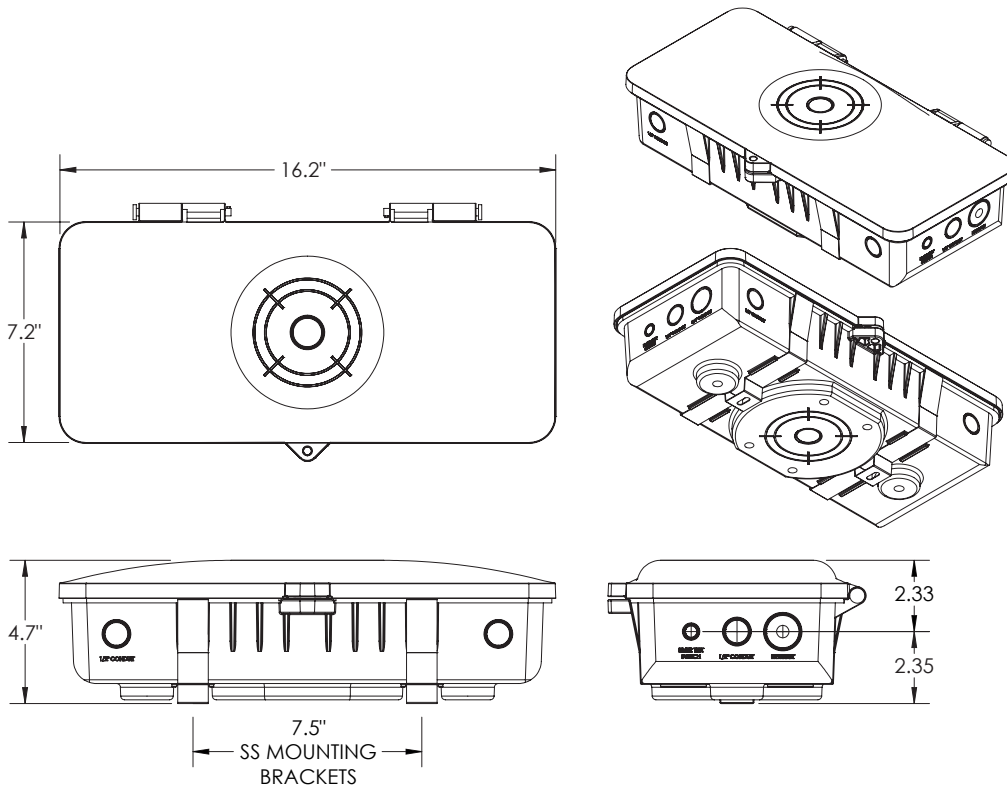
Due to continuous development and improvements, specifications are subject to change without notice. FC Lighting reserves the right to change lab test details or specifications without notice. Product use certifies agreement to FC Lighting terms and conditions. FCC Series Cylinder Lights are engineered and produced in our Illinois manufacturing facility.

BATTERY BACK-UPS

BBUR - BATTERY BACK-UP & LED DRIVER REMOTE (INDOOR), IP20, IK08, NEMA 1, 0°C to +48°C, 30' MAX Distance with 12AWG (w/UNV Option Only)



BBUX - BATTERY BACK-UP & LED DRIVER REMOTE (OUTDOOR), IP67, IK10, NEMA 4X, -20°C to +55°C, 30' MAX Distance with 12AWG (w/UNV Option Only)



Due to continuous development and improvements, specifications are subject to change without notice. FC Lighting reserves the right to change lab test details or specifications without notice. Product use certifies agreement to FC Lighting terms and conditions. FCC Series Cylinder Lights are engineered and produced in our Illinois manufacturing facility.