

DATE \_\_\_\_\_ PROJECT \_\_\_\_\_ TYPE \_\_\_\_\_ QUANTITY \_\_\_\_\_

## LumiLine Low Profile In-Grade Paver LED Luminaire

### FEATURES

- Constant voltage luminaire
- Remote power supply
- No drainage required for installation
- 90+ CRI

#### FIXTURE COMPONENTS:

L126 fixture only, ingrade framing, end of run cap

#### FIXTURE COMPONENTS REQUIRED (SOLD SEPARATELY):

32' leader feed cable



### CONSTRUCTION

- Formed stainless steel housing with tempered glass diffuser lens.
- Stainless steel modular framing channels pre-install for easy coordination with onsite stone and masonry work.

### ELECTRICAL

- Input voltage: 120V-277V AC output voltage: 24V DC
- Wattage Output: 1W (min) to 96W (max)
- Wattage output: three(3) 96W channels
- Maximum remote driver distance is 32'

### ORDERING

PRODUCT	POWER	LED COLOR	LENGTH
<b>L126W</b> LumiLine Low Profile In-Grade Paver	<b>02</b> 2.2 watts / linear ft	<b>W3</b> 3000K White <b>W4</b> 4000K White	<b>12</b> 12 <sup>1/4</sup> actual <b>32</b> 32" actual
	*Consult factory for other power options		*consult factory for custom length

#### ADDITIONAL COMPONENTS

SPECIFY QUANTITIES

<b>PS96/PS96D-W</b> 96W Max power supply for wet locations (with enclosure)	<b>PS288/PS288D-W</b> 288W Max power supply for wet locations (with enclosure)	<b>LFC-S32</b> 32' leader feed cable with straight connector	<b>LFC-A32</b> 32' leader feed cable with straight connector	<b>JC-L126-36</b> 36" jumper cable
--	---	---	---	---------------------------------------

### RATINGS & CERTIFICATION

- cETLus Listed for wet locations, IP67 Rated
- Made in the USA
- Average rated LED life of 50,000 hours @ 70% lumen output



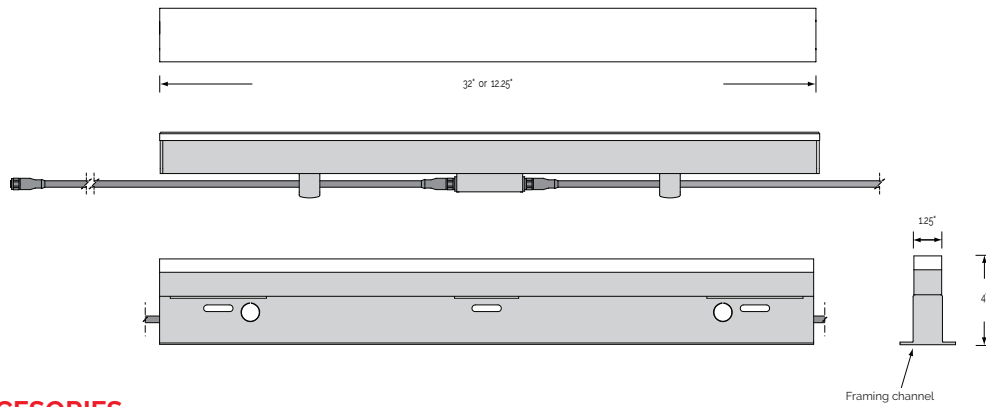
### LUMEN OUTPUT

<b>STANDARD</b>	198 Lm/ft	2.2 W/ft	90 Lm/w
-----------------	-----------	----------	---------

### WARRANTY 3 Year warranty

visit [electrixillumination.com](http://electrixillumination.com) for details

## DIMENTIONALS



## CABLES AND ACCESORIES

### LEADER FEED CABLE (ONE REQUIRED FOR LED FEED)

**LFC-S32** 32' Leader Feed Cable. Straight connector

**LFC-A32** 32' Leader Feed Cable. Angled connector

### JUMPER CABLE (OPTIONAL)

**JC-L126-36** 36" Jumper Cable  
End of run cap (supplied with fixture)



## LED POWER SUPPLY - WET LOCATION

### 96W MAX POWER SUPPLY

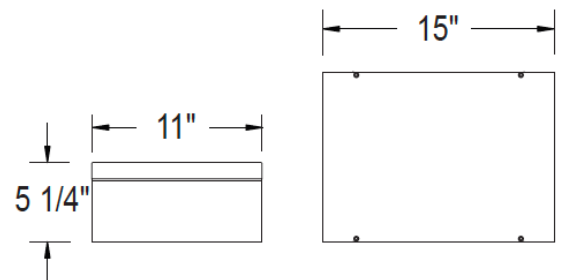
#### MODELS: PS96 / PS96D-W

- Wattage Output: 1W (min) to 96W (max)
- Input voltage: 120V-277V AC output voltage: 24V DC
- Maximum remote driver distance is 32'.<sup>1</sup>
- Drivers supplied with 6" input/output leads
- 10% 0-10V dimming
- IP67 rating for wet locations

### 288W MAX POWER SUPPLY

#### MODELS: PS288 / PS288D-W

- Wattage output: three(3) 96W channels
- Input voltage: 120V-277V AC output voltage: 24V DC
- Maximum remote driver distance is 32'.<sup>1</sup>
- Drivers supplied with 6" input/output leads
- 10% 0-10V dimming
- IP67 rating for wet locations



<sup>1</sup> The remote mounting distance may be exceeded. However, precaution for site condition of electromagnetic interference (EMI) and voltage drop must be considered.