

Project:

Type:

Quantity:

Note:

SKU#: HAL - - SN - - 30K

Description

A practical new flush mount has a pleasing shape and simple, clean lines. This modern design provides brilliant, even illumination ranging from 940 to 1750 Lumens. Available in three sizes.

Features

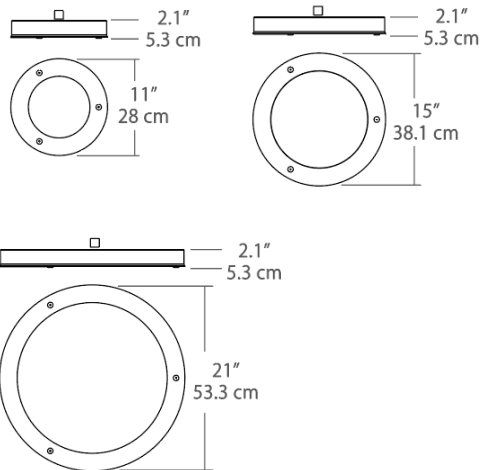
- Stamped Steel construction
- Frosted Glass front diffuser
- Sleek minimal design complements most décor
- Driver located behind housing
- Damp location rated
- JA8-2016 Listed

Specifications

- Color Rendering Index: 90 CRI
- LED color temperature: 3000K
- Input Voltage: 120 VAC 50/60Hz
- Wattage:
 - 11": 16w
 - 25": 22w
 - 21": 29w
- Delivered lumens:
 - 11": 940lm
 - 25": 1340lm
 - 21": 1756lm
- Dimming: TRIAC dimmable
- Fixture Weight:
 - 11": 3.4 lb. (1.6 kg)
 - 25": 5.8 lb. (2.6 kg)
 - 21": 10.3 lb. (4.7 kg)
- For recommended dimmers and downloadable IES & LM 79 files, see blackjacklighting.com

Custom

- Optional upgrade: 120-277V input driver with universal dimming



ORDERING GUIDE

Family	Size/Type	Finish
HAL	-	SN
11F 11" Flush Mount 15F 15" Flush Mount 21F 21" Flush Mount		
SN Satin Nickel		

Example: HAL-11F-SN-12T-30K

CUSTOM OPTIONS

Volts/Dimming	Color Temp.
- 12T	- 30K
12T 120VAC, Triac dimming	30K 3000K
27U 120-277VAC, Universal Dimming	
(12T Standard)	(30K Standard)