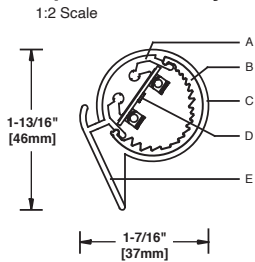
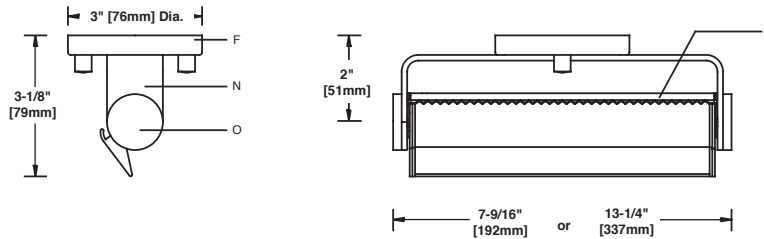


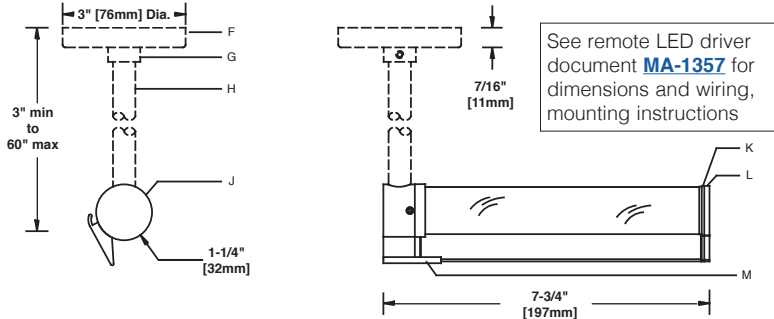
Optical Assembly



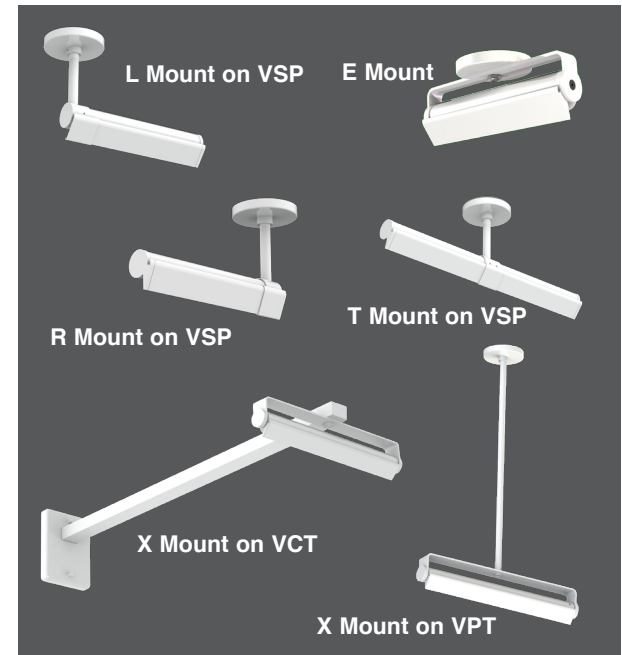
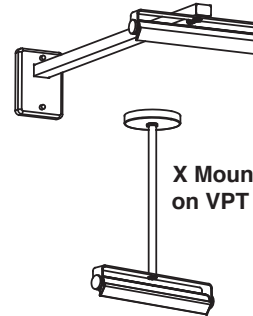
E-mount 1:4 Scale



Ceiling Mounted with VSP (R-Mount Shown)



X Mount on VCT



Specifications

- | | | |
|--------------------------------------------------|---------------------------------------------|----------------------------------------|
| A Extruded aluminum heat sink/housing | F Aluminum canopy (VSC/VSP) | L Aluminum decorative end plate |
| B Extruded semi-diffuse lens | G Slip ring with set screw (VSC/VSP) | M Extruded aluminum hub cover |
| C Die-cast aluminum end plate 1-1/8" dia. | H Aluminum stem 1/2" O.D. (VSC/VSP) | N Aluminum decorative knob |
| D Linear LED PCB with CSP LEDs | J Aluminum mounting hub (VSC/VSP) | O Adjustable back splash shield |
| E Integral visor (extruded aluminum) | K Aluminum reveal plate | |

Features

- Inconspicuous low profile – lights entire wall evenly without emphasizing surface imperfections
- Built-in visor provides shielding of glare from below
- Adjustable and lockable aiming
- Small, elegant hub hangers



Housing and Optic Assembly:

Extruded aluminum heat sink/optic housing. Exterior heat sink anodized for maximum emissivity. Precision extruded polymer refractive lens with optimal dispersion.

Finish:

Extruded aluminum heat sink/housing, aluminum reveal plates and end plates finished white, black or custom color. Formed aluminum canopy, end hubs and stems painted white or black. Painted surfaces – 6 stage pretreatment and electrostatically applied thermoset polyester powder coating for a durable abrasion, fade and corrosion resistant finish. All hardware – stainless steel or nickel plated brass.

Mounting:

R, L and T mountings provided with adjustable hub for use with VSP pendant or VSC cantilever (ordered and priced separately). VSP and VSC are supplied with recessed outlet box (suitable backing structure required). Adjustable interface plate (concealed under canopy) allows for leveling of arm. Fixture weight: 0.8 lb/ft (1.1 kg/m).

Mounting (continued):

E-mount with 3" diameter aluminum canopy, supplied with 2" x 2" recessed outlet box and mounting hardware. X-mount for use with VCS cantilever, VPT straight pendant (ordered and priced separately).

Fixture Weight: 28 LED unit = 1.5 lbs (0.68 kg); 56 LED unit = 2.0 lbs (0.91 kg).

Electrical:

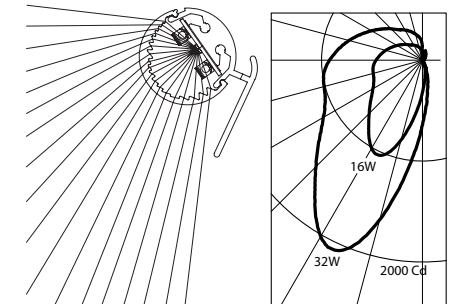
R, L and T mount units are provided with 7ft (2438mm) leads for connection to remote electronic HPF thermally protected Class 2 driver mounted in aluminum enclosure. For complete driver specifications, see website, reference document MA-1303. Optional, compatible dimming controls (by others). See website for dimming compatibility and specifications.

Standard:

UL listed or CSA certified for damp location. 5 year warranty, maximum ambient temperature 45°C (113°F).

Performance

Precisely extruded acrylic lens produces an asymmetric distribution ideal for illuminating vertical surfaces evenly from top to bottom.



L90(10k) > 60,000 hrs.
@ 25°C per TM-21

For LM79 and photometric reports, visit thelightingquotient.com



