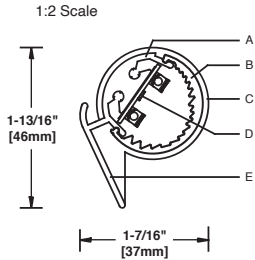
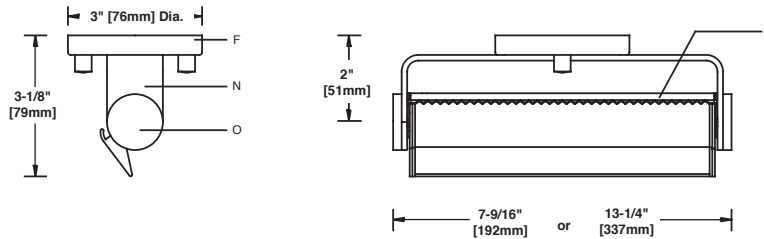


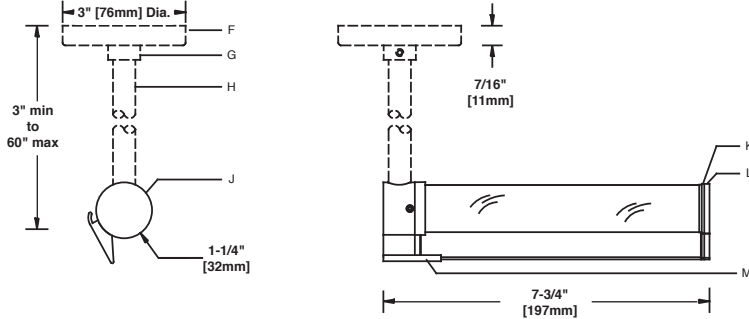
Optical Assembly



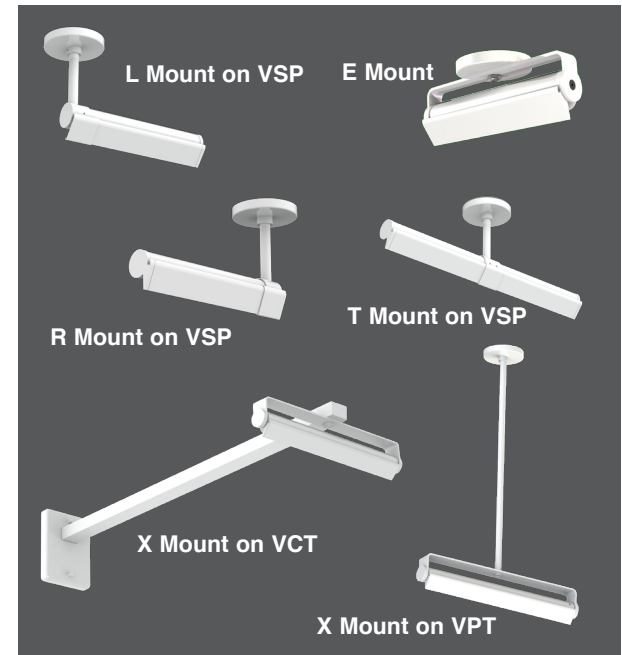
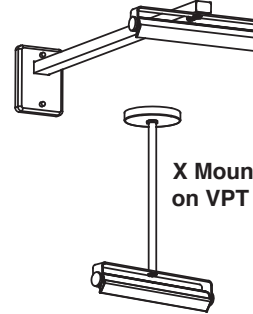
E-mount 1:4 Scale



Ceiling Mounted with VSP (R-Mount Shown)



X Mount on VCT



Specifications

- | | | |
|--|---|--|
| A Extruded aluminum heat sink/housing | F Aluminum canopy (VSC/VSP) | L Aluminum decorative end plate |
| B Extruded semi-diffuse lens | G Slip ring with set screw (VSC/VSP) | M Extruded aluminum hub cover |
| C Die-cast aluminum end plate 1-1/8" dia. | H Aluminum stem 1/2" O.D. (VSC/VSP) | N Aluminum decorative knob |
| D Linear LED PCB with CSP LEDs | J Aluminum mounting hub (VSC/VSP) | O Adjustable back splash shield |
| E Integral visor (extruded aluminum) | K Aluminum reveal plate | |

Housing and Optic Assembly:

Extruded aluminum heat sink/optic housing. Exterior heat sink anodized for maximum emissivity. Precision extruded polymer refractive lens with optimal dispersion.

Finish:

Extruded aluminum heat sink/housing, aluminum reveal plates and end plates finished white, black or custom color. Formed aluminum canopy, end hubs and stems painted white or black. Painted surfaces – 6 stage pretreatment and electrostatically applied thermoset polyester powder coating for a durable abrasion, fade and corrosion resistant finish. All hardware – stainless steel or nickel plated brass.

Mounting:

R, L and T mountings provided with adjustable hub for use with **VSP** pendant or **VSC** cantilever (ordered and priced separately). **VSP** and **VSC** are supplied with recessed outlet box (suitable backing structure required). Adjustable interface plate (concealed under canopy) allows for leveling of arm. Fixture weight: 0.8 lb/ft (1.1 kg/m).

Mounting (continued):

E-mount with 3" diameter aluminum canopy, supplied with 2" x 2" recessed outlet box and mounting hardware. **X**-mount for use with **VCS** cantilever, **VPT** straight pendant (ordered and priced separately).

Fixture Weight: 28 LED unit = 1.5 lbs (0.68 kg); 56 LED unit = 2.0 lbs (0.91 kg).

Electrical:

Provided with 7ft (2438mm) leads for POE connection (see page 2 for recommended POE output settings).

Standard:

UL listed or CSA certified for damp location. 5 year warranty, maximum ambient temperature 45°C (113°F).

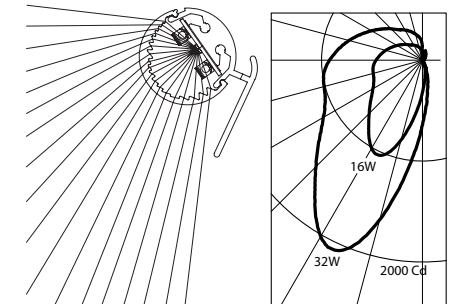
Features

- Inconspicuous low profile – lights entire wall evenly without emphasizing surface imperfections
- Built-in visor provides shielding of glare from below
- Adjustable and lockable aiming
- Small, elegant hub hangers



Performance

Precisely extruded acrylic lens produces an asymmetric distribution ideal for illuminating vertical surfaces evenly from top to bottom.



L90(10k) > 60,000 hrs.
@ 25°C per TM-21

For LM79 and photometric reports, visit thelightingquotient.com



To form a Catalog Number

S | 1 | 0 | 0 | - | | | - | | | - | P | - | | | - | 0 | 0 |
 1 | 2 | 3 | 4 | 5 | 6 | 7 | 8 | 9 | 10

Project: _____

Type: _____

1 Source

S = Solid state (LED)

2 Style

100 = Xtra-small surface mounted point source asymmetric LED with integral visor.

3 Length / Light Output / Power

ORDER CODE	LENGTH	LUMENS	INPUT WATTS	NUMBER OF LEDS	DRIVE CURRENT
L028	8"	1086	8	28	175mA
M028	8"	2101	16	28	350mA
L056	14"	2172	16	56	175mA
M056	14"	4202	32	56	350mA

Based on 3500K/80+CRI. [Click here](#) for scaled performance table.

4 Mounting

- L = Left offset mounting for use with required **VSP pendant** or **VSC cantilever** — ordered and priced separately
- R = Right offset mounting for use with required **VSP pendant** or **VSC cantilever** — ordered and priced separately
- T = Dual-head center mounting for use with required **VSP pendant** or **VSC cantilever** — ordered and priced separately

Note: L and R mount for 8" fixtures only, T mount for 14" only.

- E = External yoke on 3" diameter canopy
- X = External yoke for use with required VCS cantilever or VPS pendant or VPE swivel pendant (priced and ordered separately)

5 Finish

- 02 = Semigloss white
- 13 = Matte Black*
- 22 = Matte White*
- 06 = Dark bronze*
- 15 = Metallic*
- PL = Platinum*
- 07 = Silver*
- 17 = Champagne*
- 99 = Custom or RAL, consult rep.*
- 08 = Semigloss black
- 18 = Copper*

02	22*	PL*	07*	15*
08	13*	06*	18*	17*

* = non-cancellable/returnable

6 Voltage

P = For use with POE connection

7 Option (See Accessories Section for specifications)

- 00 = No options
- 0B = Cross baffle, provides 25° lateral shielding
- 0S = Adjustable sawtooth backsplash shield
- 0M = For use in MRI medical facility. MRI filters required on output. Consult factory prior to specification.

8 Destination Requirement

- 0 = UL listed or CSA certified for U.S.
- J = UL listed or CSA certified for Canada

9 Color Temperature / CRI

- 827 = 2700K, 80+ CRI
- 927 = 2700K, 90+ CRI
- 830 = 3000K, 80+ CRI
- 930 = 3000K, 90+ CRI
- 835 = 3500K, 80+ CRI
- 935 = 3500K, 90+ CRI
- 840 = 4000K, 80+ CRI
- 940 = 4000K, 90+ CRI

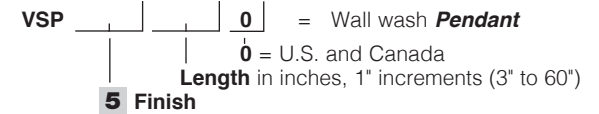
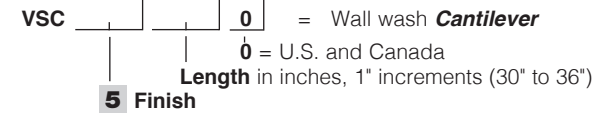
Note: Additional CCT and CRI options are available; consult factory.

10 POE Connection

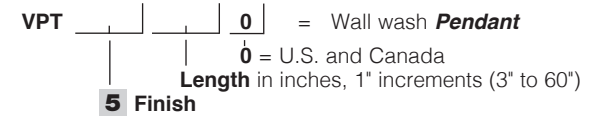
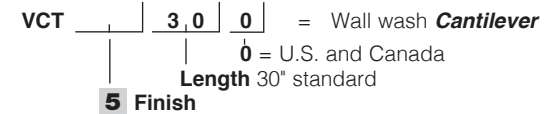
- 00 = For use with POE (Power Over Ethernet) connection
- L028 set POE output to 42VDC, 175mA
- M028 set POE output to 42VDC, 350mA
- L056 set POE output to 42VDC, 350mA
- M056 set POE output to 42VDC, 700mA

Required Mounting Hangers

Mounting hangers for L, R and T mounting codes— ordered and priced separately, order one (1) per fixture.



Mounting hangers for X mounting code— ordered and priced separately, order one (1) per fixture.



Accessories

Order separately. See Accessories Section for specifications.

AXC0810 = Accessory extension cord, black jacket 18AWG, 10' long with plug and socket quick connectors at each end.

AXC0899 = Accessory plug and socket quick connectors for use with #18/2 AWG solid or topcoat wire by others to extend remote driver distance.

