



AVANTE-GARDE

AGBM - Bollard

STANDARD FEATURES

- Classic industrial design
- Die-cast aluminum housing
- Two pedestal sizes
- Die-cast aluminum guard
- Heat-treated clear glass or milk white glass
- HPF ballasts standard
- Incandescent, HID and compact fluorescent sources



Intertek



SERIES	MODEL	HEIGHT	LAMP	VOLT	LUMENS	CCT	CONTROL	OPTICS	COLOR	HEIGHT	OPTIONS
AGBM	6000	S = SMALL	8W/LED	120V	600	3000K	ELV DIM	0 = NO OPTICS	TEXTURED FINISHES TAL = TEXTURED ALUMINUM TBK = TEXTURED BLACK TBZ = TEXTURED BRONZE TWH = TEXTURED WHITE	36" OAH	GFIR = GROUND FAULT RECEPTACLE MWG = MILK WHITE GLASS^^ RPG = RIBBED PRISMATIC GLASS^^ GEC = GLASS END CAP GALV = GALVANIZED STEEL PEDESTAL NATURAL FINISH ONLY
			20W/LED	120V	1500	3000K	ELV DIM				
			18W/LED	120-277UNV	2500	4000K	0-10V DIM				
			25W/LED	120-277UNV	2700	4000K	0-10V DIM				
			18W/LED	120-277UNV	2500	4000K	0-10V DIM				
			25W/LED	120-277UNV	2700	4000K	0-10V DIM				
			30W/LED	120-277UNV	3900	3000K	0-10V DIM				
		L = LARGE		347-480UNV	4000	4000K	0-10V DIM		SL/B = STACKED LOUVER BACK LIT OPTICS^ PEC = PERFORATED COLLAR ^^^	42" OAH	
					4100	5000K	0-10V DIM				
			50W/LED	120-277UNV	6075	3000K	0-10V DIM				
				347-480UNV	6300	4000K	0-10V DIM				
					6530	5000K	0-10V DIM				

ORDERING INFORMATION

SERIES	MODEL	HEIGHT	LAMP	VOLT	LUMENS	CCT	CONTROL	OPTICS	COLOR	HEIGHT	OPTIONS

^ Not available in incandescent lamps / ^^ Only available with "O" optics / ^^ Use clear lamp only for striation effect

Consult factory for voltage and other lamp options. Product specifications subject to change without notice.

1. Programmable drivers at the PACE factory
2. Color tunable
3. Capable of remote dimming
4. Can be equipped with motion sensors for on/off functioning
5. Can be equipped with light sensors for dusk-to-dawn automatic on/off operation
6. Bluetooth commissioning sensor capability for Android and iOS

Although PACE has prepared the information contained in this document with all due care, PACE does not warrant or represent that the information is free from errors or omission. Whilst the information is considered to be true and correct at the date of publication, changes in circumstances after the time of publication may impact on the accuracy of the information. The information may change without notice and PACE is not in any way liable for the accuracy of any information printed and stored or in any way interpreted or used. In the interest of product improvement, Pace reserves the right to make technical and product specification changes without notice. Consult factory for voltage and other lamp options.



AVANTE-GARDE

AGBM - Bollard

SIZES

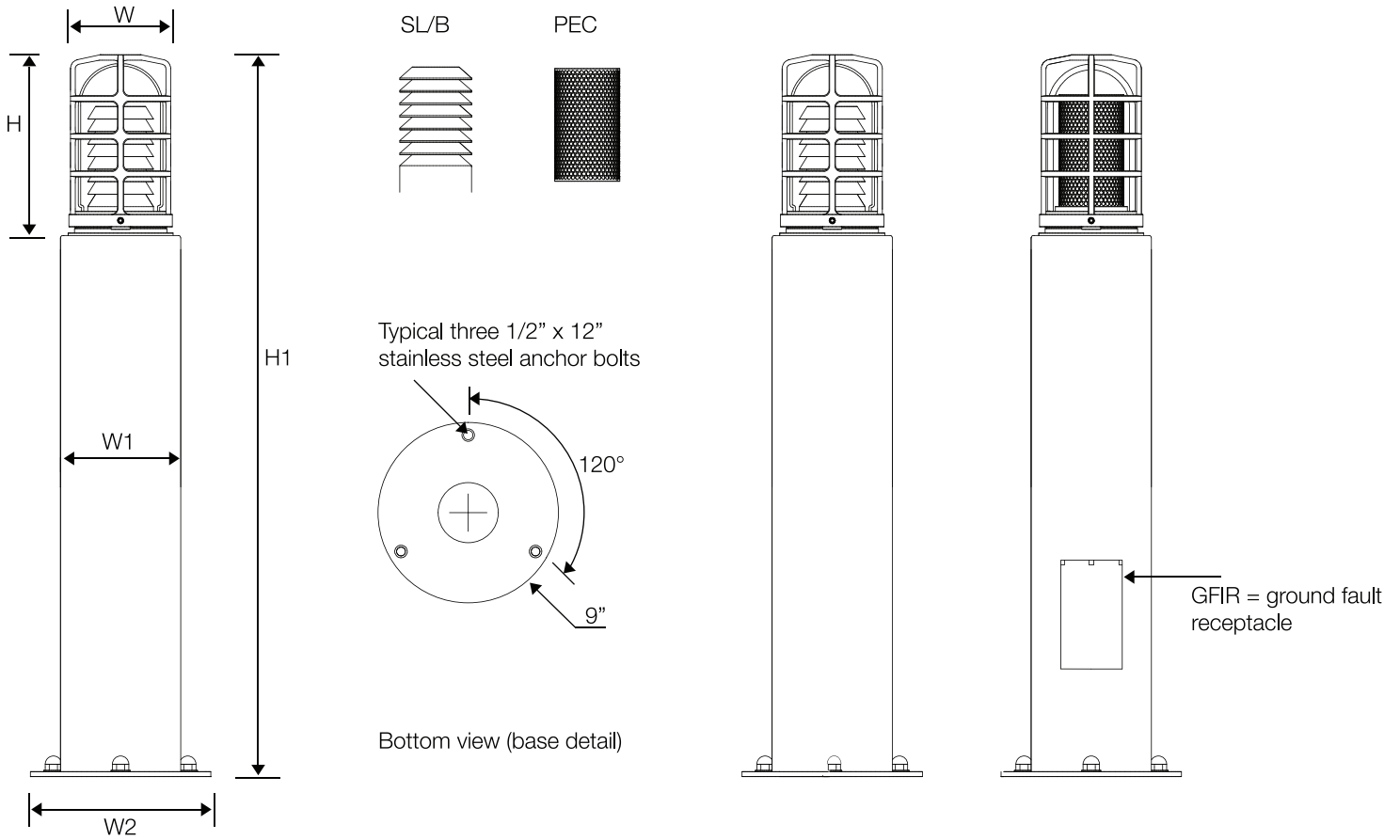
Small = 4" x 7.5"
 Large = 5" x 9"

MOUNTING

5" diameter extruded aluminum base
 9" diameter heavy gauge aluminum base

COLOR

Textured or smooth polyester powder coat finishes
 RAL colors available



	W	W1	W2	H	H1
Small	4.0"	4.5"	9.0"	7.5"	36.0" or 42.0"
Large	5.0"	5.6"	9.0"	9.0"	36.0" or 42.0"

Although PACE has prepared the information contained in this document with all due care, PACE does not warrant or represent that the information is free from errors or omission. Whilst the information is considered to be true and correct at the date of publication, changes in circumstances after the time of publication may impact on the accuracy of the information. The information may change without notice and PACE is not in any way liable for the accuracy of any information printed and stored or in any way interpreted or used.

In the interest of product improvement, Pace reserves the right to make technical and product specification changes without notice. Consult factory for voltage and other lamp options.