



AVANTE-GARDE

AGSM - Surface Mount

STANDARD FEATURES

- Classic industrial design
- Die-cast aluminum housing
- Heavy gauge aluminum construction
- Surface or recessed ballast housing
- Die-cast aluminum guard
- Heat treated clear glass
- Forward throw or back-light stacked louvers available
- Use perforated screen for star burst pattern effects on ceilings or walls
- Incandescent, compact fluorescent or HID sources



Intertek



| SERIES | MODEL | HEIGHT | LAMP | VOLT | LUMENS | CCT | CONTROL | OPTICS | COLOR | OPTIONS |
|--------|-------|-----------|---------------------|-------------|--------|-------|-----------|---------------|--|--|
| AGSM | 6000 | S = SMALL | INC = Incandescent | 120V | | | | 0 = NO OPTICS | TEXTURED FINISHES TAL = TEXTURED ALUMINUM TBK = TEXTURED BLACK TBZ = TEXTURED BRONZE TWH = TEXTURED WHITE | NG = NO GUARD MWG = MILK WHITE GLASS^^ RPG = RIBBED PRISMATIC GLASS^^ SB = SURFACE MOUNT BOX^^^ SCE = SURFACE CONDUIT ENTRY^^^^ GEC = GLASS END CAP RBBD = RECESSED BALLAST BOX DRYWALL CEILING RD = Remote dimming RBB = RECESSED BALLAST BOX CONCRETE |
| | | | PLC = 13,18,26 Watt | 120-277 UNV | | | | | | |
| | | L = LARGE | 18W/LED | 120-277UNV | 2500 | 4000K | 0-10V DIM | | | |
| | | | 25W/LED | 120-277UNV | 2700 | 4000K | 0-10V DIM | | | |
| | | | 30W/LED | 120-277UNV | 3900 | 3000K | 0-10V DIM | | | |
| | | | | 347-480UNV | 4000 | 4000K | 0-10V DIM | | | |
| | | | | | 4100 | 5000K | 0-10V DIM | | | |
| | | | 50W/LED | 120-277UNV | 6075 | 3000K | 0-10V DIM | | | |
| | | | | 347-480UNV | 6300 | 4000K | 0-10V DIM | | | |
| | | | | | 6530 | 5000K | 0-10V DIM | | | |
| | | | | | | | | | | |
| | | | | | | | | | | |
| | | | | | | | | | | |
| | | | | | | | | | | |

| ORDERING INFORMATION | | | | | | | | | | |
|----------------------|-------|--------|------|------|--------|-----|---------|--------|-------|---------|
| SERIES | MODEL | HEIGHT | LAMP | VOLT | LUMENS | CCT | CONTROL | OPTICS | COLOR | OPTIONS |
| | | | | | | | | | | |

^ Not available in incandescent lamps / ^^ Only available with "0" optics / ^^^ Surface box with 5 x 1/2 IPS entry hubs / ^^^^^ Please advise conduit entry points, maximum 4, add 2" to projection/height

Consult factory for voltage and other lamp options. Product specifications subject to change without notice.

1. Programmable drivers at the PACE factory
2. Color tunable
3. Capable of remote dimming
4. Can be equipped with motion sensors for on/off functioning
5. Can be equipped with light sensors for dusk-to-dawn automatic on/off operation
6. Bluetooth commissioning sensor capability for Android and iOS
7. Emergency back-up remote mounted only

Although PACE has prepared the information contained in this document with all due care, PACE does not warrant or represent that the information is free from errors or omission. Whilst the information is considered to be true and correct at the date of publication, changes in circumstances after the time of publication may impact on the accuracy of the information. The information may change without notice and PACE is not in any way liable for the accuracy of any information printed and stored or in any way interpreted or used. In the interest of product improvement, Pace reserves the right to make technical and product specification changes without notice. Consult factory for voltage and other lamp options.



AVANTE-GARDE

AGSM - Surface Mount

SIZES

Small = 4" x 7.5"
Large = 5" x 9"

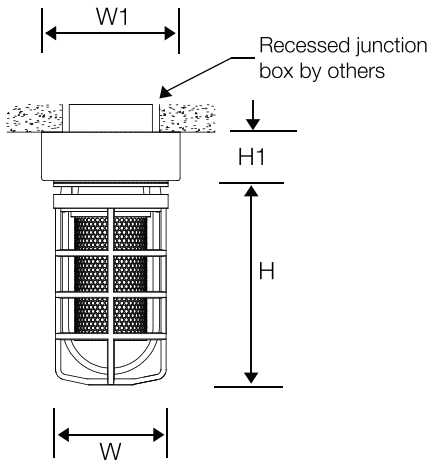
MOUNTING

Wall or ceiling mount
Surface or semi-recessed

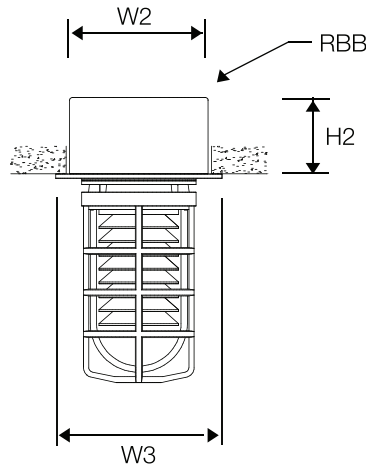
COLOR

Textured or smooth polyester powder coat finishes
RAL colors available

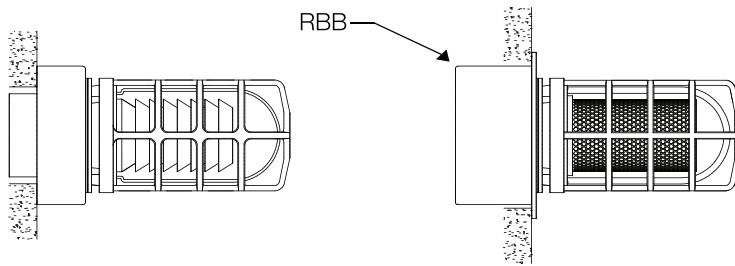
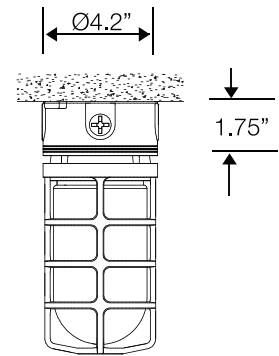
PL/HID Surface



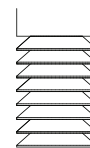
PL/HID Recessed back box



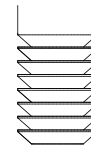
Incandescent surface mount



SL/F
Forward throw



SL/B
Back lit



PEC
Perforated collar



| | W | W1 | W2 | W3 | H | H1 | H2 |
|-------------|------|------|------|------|------|------|------|
| Small (INC) | 4.0" | -- | -- | -- | 7.0" | -- | -- |
| (PL) | 4.0" | 5.0" | 5.0" | 6.0" | 7.0" | 2.8" | 2.8" |
| Large (INC) | 5.0" | -- | -- | -- | 9.0" | -- | -- |
| (PL) | 5.0" | 8.0" | 8.0" | 9.0" | 9.0" | 2.0" | 2.0" |
| (HID) | 5.0" | 8.0" | 8.0" | 9.0" | 9.0" | 4.0" | 4.0" |

Although PACE has prepared the information contained in this document with all due care, PACE does not warrant or represent that the information is free from errors or omission. Whilst the information is considered to be true and correct at the date of publication, changes in circumstances after the time of publication may impact on the accuracy of the information. The information may change without notice and PACE is not in any way liable for the accuracy of any information printed and stored or in any way interpreted or used.

In the interest of product improvement, Pace reserves the right to make technical and product specification changes without notice. Consult factory for voltage and other lamp options.