



EUROPE

series 3

STANDARD FEATURES

- Heavy gauge spun aluminum shade
- Die-cast dome top and ballast enclosure
- Choice of optical systems
 - Segmented optics with clear flat glass lens
 - Clear glass and cast guard lamp enclosures with optional louvers
 - Large clear "tear drop" lamp enclosures with optional louvers or glass refractors
- Pole and wall mount options
- Incandescent, compact fluorescent and HID sources
- A selection of optional annular rings and translucent collars



Intertek



SERIES	MODEL	SIZE	LAMP	VOLT	LUMENS	CCT	CONTROL	COLOR	OPTIONS	OPTICS	RING	MOUNTING	COLLAR
EURO 3	4050	16"	30W/LED	120-277UNV 347-480UNV	4100	5000K	0-10V DIM	TEXTURED FINISHES	PHOTOCELL FACTORY INSTALLED	SL = STACK LOUVERS STAINLESS STEEL NR = NO RING NO COLLAR NEEDED SAR = SINGLE ALUMINUM RING DAR = DOUBLE ALUMINUM RING	SHK = SHEPERD'S HOOK WAM = WALL ARM MOUNT PM = PENDANT MOUNT CONSULT FACTORY FOR ADDITIONAL MOUNTING	OP = OPAL POLYCARBONATE CP = CLEAR POLYCARBONATE FP = FROSTED POLYCARBONATE	
					4000	4000K		TAL = TEXTURED ALUMINUM	PE1 = 120 VOLT				
					3900	3000K		TBK = TEXTURED BLACK	PE2 = 277 VOLT				
								TBZ = TEXTURED BRONZE	EM = EMERGENCY BACKUP				
					TWH = TEXTURED WHITE	BT = BLUETOOTH							
		6530	5000K			RD = REMOTE DIMMING							
		6300	4000K			MS = MOTION SENSOR							
		6075	3000K										

ORDERING INFORMATION

SERIES	MODEL	SIZE	LAMP	VOLT	LUMENS	CCT	CONTROL	COLOR	OPTIONS	OPTICS	RING	MOUNTING	COLLAR

Consult factory for voltage and other lamp options. Product specifications subject to change without notice.

1. Programmable driver at the PACE factory
2. Color tunable
3. Capable of remote dimming
4. Can be equipped with motion sensors for on/off functioning
5. Can be equipped with light sensors for dusk-to-dawn automatic on/off operation
6. Bluetooth commissioning sensor capability for Android and iOS

Although PACE has prepared the information contained in this document with all due care, PACE does not warrant or represent that the information is free from errors or omission. Whilst the information is considered to be true and correct at the date of publication, changes in circumstances after the time of publication may impact on the accuracy of the information. The information may change without notice and PACE is not in any way liable for the accuracy of any information printed and stored or in any way interpreted or used.

In the interest of product improvement, Pace reserves the right to make technical and product specification changes without notice. Consult factory for voltage and other lamp options.



EUROPE

series 3

SIZES

Small = 16"/19" diameter
 Large = 24" diameter

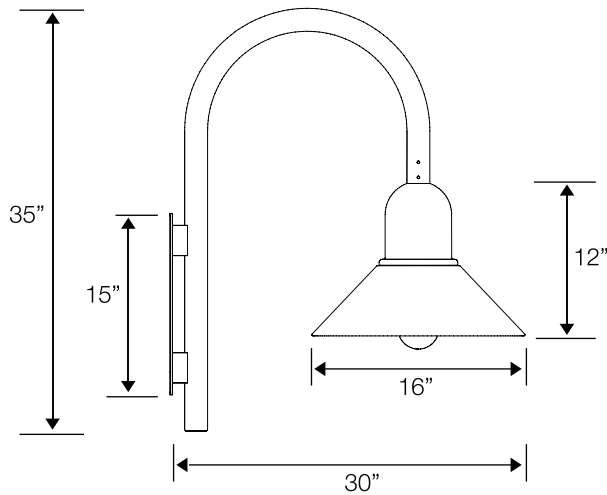
MOUNTING

Pole mount
 Pendant
 Wall mount

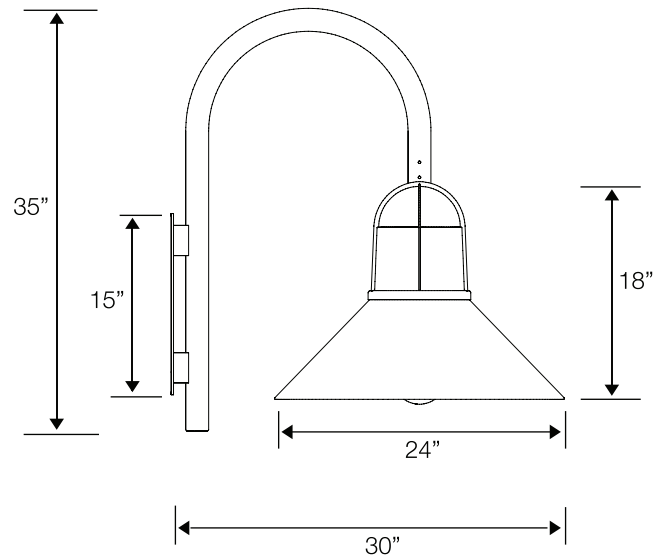
COLOR

Textured or smooth polyester powder coat finishes
 RAL colors available

Small / EPA = 1.1



Large / EPA = 1.65



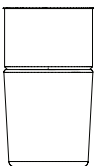
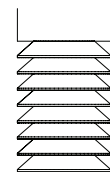
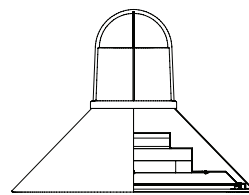
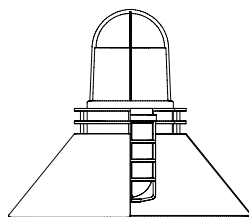
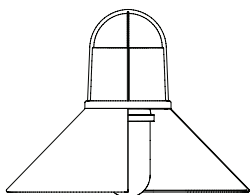
CGJ = Clear glass jar

CGG/DAR = clear glass jar & guard

CFL = clear flat lens & segmented reflector (II, III, IV, V)

SL/F

Type III or V



Although PACE has prepared the information contained in this document with all due care, PACE does not warrant or represent that the information is free from errors or omission. Whilst the information is considered to be true and correct at the date of publication, changes in circumstances after the time of publication may impact on the accuracy of the information. The information may change without notice and PACE is not in any way liable for the accuracy of any information printed and stored or in any way interpreted or used.

In the interest of product improvement, Pace reserves the right to make technical and product specification changes without notice. Consult factory for voltage and other lamp options.