



# PAMPAS

## TPBM bollard

### STANDARD FEATURES

- Classic architectural design
- Heavy gauge construction suitable for rigorous outdoor environments
- Extruded and laser cut aluminum housing
- Four sizes of aluminum pedestals
- For optical distributions, two lens options
- Compact fluorescent and HID sources
- HPF electronic ballasts for compact fluorescent, HPF magnetic ballasts for HID
- Stainless steel hardware
- Applications - Landscapes / Pedestrian paths



Intertek



SERIES	MODEL	HEIGHT	LAMP	VOLT	LUMENS	CCT	CONTROL	COLOR	OPTICS	OPTIONS	
TPBM-I = OPAL LENS	4000	36"	31WLED	120-277UNV 347-480UNV	4510	4000	0-10V DIM	TAL: Textured Aluminum TBK: Textured Black TBZ: Textured Bronze TWH: Textured White	0= no optics 3= Type III glass refractor 5= Type V glass refractor^^ SL= 45° stack louvers	WML = white faux alabaster lens^^^^ BML= brown faux alabaster lens^^^^ GFIR=ground fault and receptacle PE= photo cell 120V or 277V (factory install) EM= emergency backup ^^ MS = Motion sensor BT = Bluetooth sensor RD = Remote dimming	
		42"									
TPBM-II= = CLEAR LENS^^	4000	36"	37WLED	120-277UNV 347-480UNV	4960	4000	0-10V DIM	TAL: Textured Aluminum TBK: Textured Black TBZ: Textured Bronze TWH: Textured White	0= no optics 3= Type III glass refractor 5= Type V glass refractor^^ SL= 45° stack louvers	WML = white faux alabaster lens^^^^ BML= brown faux alabaster lens^^^^ GFIR=ground fault and receptacle PE= photo cell 120V or 277V (factory install) EM= emergency backup ^^ MS = Motion sensor BT = Bluetooth sensor RD = Remote dimming	
ORDERING INFORMATION											
SERIES	MODEL	HEIGHT	LAMP	VOLT	LUMENS	CCT	CONTROL	COLOR	OPTICS	OPTIONS	

^^ For TPBM-II with clear lens; Type V glass refractor standard / ^^^ For TPBM-I; recommended only with "0" optics

Consult factory for voltage and other lamp options. Product specifications subject to change without notice.

1. Programmable drivers at the PACE factory
2. Color tunable
3. Capable of remote dimming
4. Can be equipped with motion sensors for on/off functioning
5. Can be equipped with light sensors for dusk-to-dawn automatic on/off operation
6. Bluetooth commissioning sensor capability for Android and iOS

Although PACE has prepared the information contained in this document with all due care, PACE does not warrant or represent that the information is free from errors or omission. Whilst the information is considered to be true and correct at the date of publication, changes in circumstances after the time of publication may impact on the accuracy of the information. The information may change without notice and PACE is not in any way liable for the accuracy of any information printed and stored or in any way interpreted or used.

In the interest of product improvement, Pace reserves the right to make technical and product specification changes without notice. Consult factory for voltage and other lamp options.



# PAMPAS

## TPBM bollard

**SIZES**

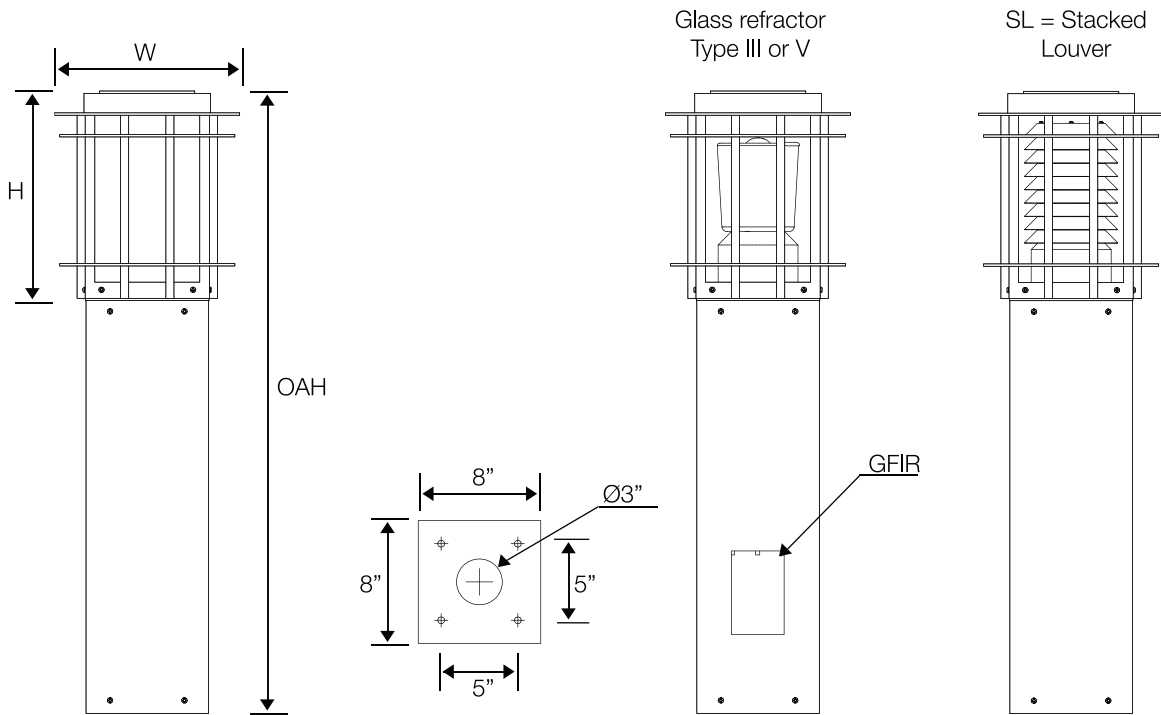
10.5" square standard  
 Custom sizes available consult factory

**MOUNTING**

Bollard pedestal mount  
 Two standard pedestal heights 36" or 42" OAH

**COLOR**

Textured or smooth polyester powder coat finishes  
 RAL colors available



W	H	OAH
10.5" x 10.5	11.9"	36.0" or 42.0"

Although PACE has prepared the information contained in this document with all due care, PACE does not warrant or represent that the information is free from errors or omission. Whilst the information is considered to be true and correct at the date of publication, changes in circumstances after the time of publication may impact on the accuracy of the information. The information may change without notice and PACE is not in any way liable for the accuracy of any information printed and stored or in any way interpreted or used.

In the interest of product improvement, Pace reserves the right to make technical and product specification changes without notice. Consult factory for voltage and other lamp options.