



PAMPAS

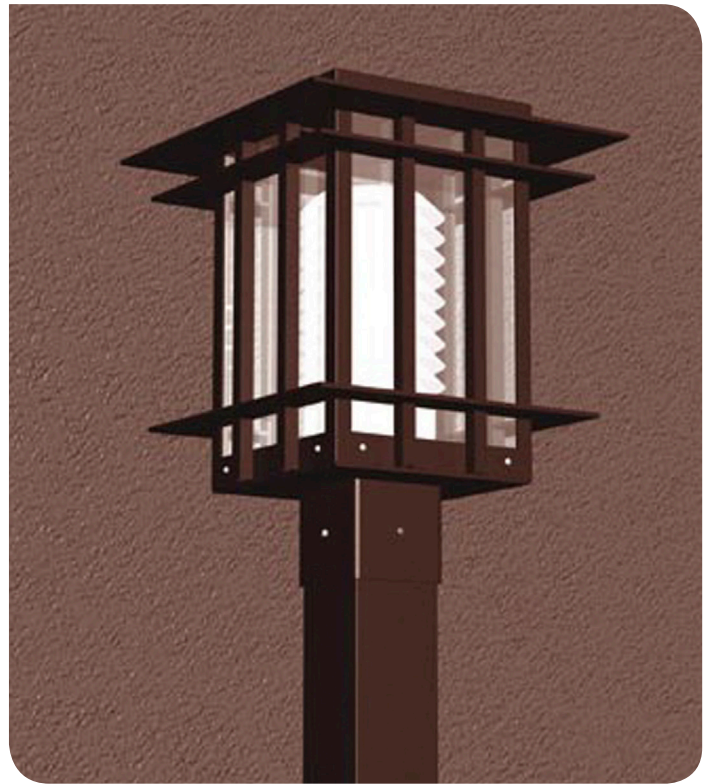
TPPT - post top

STANDARD FEATURES

- Classic architectural design
- Three sizes - 10.5", 14.5" and 20" square
- Heavy gauge construction suitable for rigorous outdoor environments
- Extruded and laser cut aluminum housing
- Four optical distributions, two lens options
- Compact fluorescent and HID sources
- HPF Electronic ballasts for compact fluorescent, HPF magnetic ballasts for HID
- Stainless steel hardware
- Applications: Pathways/Pedestrian scale-sites/ Parking lots



Intertek



| SERIES | MODEL | SIZE | LAMP^ | VOLT^^ | LUMENS | CCT | CONTROL | COLOR | MOUNTING^^^^^^ | OPTICS^^^ | OPTIONS |
|-------------------------------|-------|----------|---------|--------------------------|--------|------|-----------|--|------------------------------|---|---|
| TPPT-I = OPAL LENS | 4000 | S=SMALL | 2XPL13C | 120-277UNV 347-480UNV | 1400 | 4000 | 0-10V DIM | TAL: Textured Aluminum TBK: Textured Black TBZ: Textured Bronze TWH: Textured White | SC3 = 3" square pole mount | 0 = no optics 3 = Type III glass refractor 5 = Type V glass refractor^^^ SL= 45° stack louvers | WML = white faux alabaster lens^^^^ BML= brown faux alabaster lens^^^^ HSS = house side shield PE = photo cell 120V or 277V (factory install) PER = photo cell receptacle EM= emergency backup MS = Motion sensor BT = Bluetooth sensor RD = Remote dimming |
| | | | PLT32 | | 1920 | 4000 | | | SC4 = 4" square pole mount | | |
| | | | PLT42 | | 2560 | 4000 | | | SC5 = 5" square pole mount | | |
| TPPT-II = CLEAR LENS^^^ | 4000 | M=MEDIUM | 31WLED | 120-277UNV 347-480UNV | 4510 | 4000 | 0-10V DIM | TAL: Textured Aluminum TBK: Textured Black TBZ: Textured Bronze TWH: Textured White | RC3 = 3" round pole mount | HPL= high performance louver^^^^^^ | WML = white faux alabaster lens^^^^ BML= brown faux alabaster lens^^^^ HSS = house side shield PE = photo cell 120V or 277V (factory install) PER = photo cell receptacle EM= emergency backup MS = Motion sensor BT = Bluetooth sensor RD = Remote dimming |
| | | | 37WLED | | 4960 | 4000 | | | RC4 = 4" round pole mounting | | |
| | | | | | | | | | RC5 = 5" round pole mounting | | |
| | | L=LARGE | 31WLED | | 4510 | 4000 | | | WMB = wall mount bracket | | |
| | | | 37WLED | | 4960 | 4000 | | | | | |
| | | | | | | | | | | | |

ORDERING INFORMATION

| SERIES | MODEL | SIZE | LAMP^ | VOLT^^ | LUMENS | CCT | CONTROL | COLOR | MOUNTING^^^^^^ | OPTICS^^^ | OPTIONS |
|--------|-------|------|-------|--------|--------|-----|---------|-------|----------------|-----------|---------|
| | | | | | | | | | | | |

^ PLC/PLT Lamps are 4 pin. / ^^ not all voltages available for TPPT-I lamp types, please confirm with factory / ^^ for TPPT-II with clear lens; Type V glass refractor standard
 ^^^ Available for TPPM-I only; recommended with "O" optics / ^^^^^ see mounting technical sheet for details / ^^^^^ available for HID + LED

Consult factory for voltage and other lamp options. Product specifications subject to change without notice.

1. Programmable drivers at the PACE factory
2. Color tunable
3. Capable of remote dimming
4. Can be equipped with motion sensors for on/off functioning
5. Can be equipped with light sensors for dusk-to-dawn automatic on/off operation
6. Bluetooth commissioning sensor capability for Android and iOS

Although PACE has prepared the information contained in this document with all due care, PACE does not warrant or represent that the information is free from errors or omission. Whilst the information is considered to be true and correct at the date of publication, changes in circumstances after the time of publication may impact on the accuracy of the information. The information may change without notice and PACE is not in any way liable for the accuracy of any information printed and stored or in any way interpreted or used.

In the interest of product improvement, Pace reserves the right to make technical and product specification changes without notice. Consult factory for voltage and other lamp options.



PAMPAS

TPPT - post top

SIZES

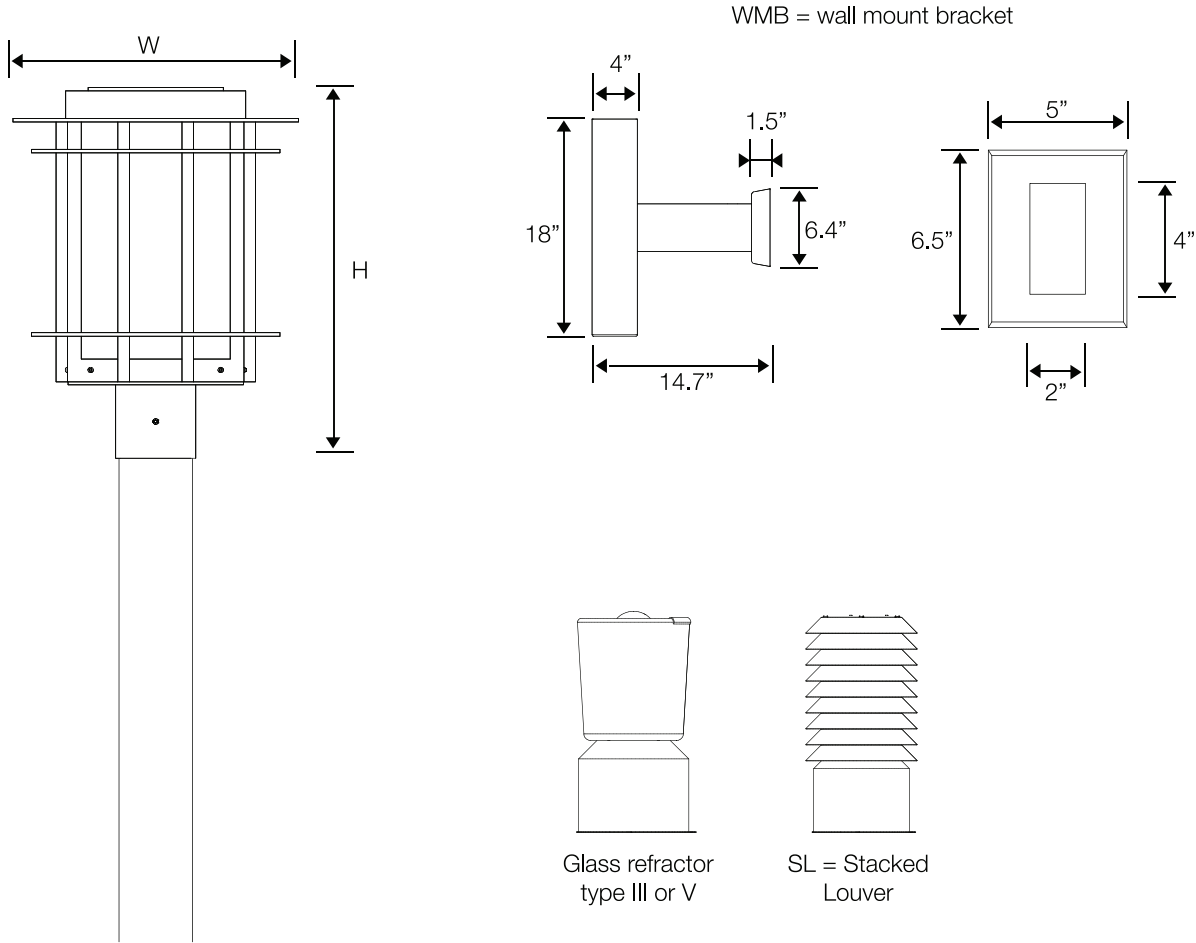
- Small = 10.5" x 10.5"
- Medium = 14.5" x 14.5"
- Large = 20" x 20"

MOUNTING

Three sizes of tenon pole mount

COLOR

Textured or smooth polyester powder coat finishes
RAL colors available



| | W | H | EPA |
|--------|-------|-------|-----|
| Small | 10.5" | 14.5" | 1.9 |
| Medium | 14.5" | 18.5" | 2.5 |
| Large | 20.0" | 24.0" | 3.0 |

Although PACE has prepared the information contained in this document with all due care, PACE does not warrant or represent that the information is free from errors or omission. Whilst the information is considered to be true and correct at the date of publication, changes in circumstances after the time of publication may impact on the accuracy of the information. The information may change without notice and PACE is not in any way liable for the accuracy of any information printed and stored or in any way interpreted or used.

In the interest of product improvement, Pace reserves the right to make technical and product specification changes without notice. Consult factory for voltage and other lamp options.