

# ROBUSTO

## AEDC - demi-cylinder

### STANDARD FEATURES

- Architectural demi-cylinder
- Die-cast aluminum construction
- Die-cast gasketed lens frame
- Clear tempered glass lens standard
- Optional prismatic lens available
- High performance specular optical systems
- Optional mounting available
- Low wattage HID and compact fluorescent sources
- Heavy gauge aluminum removable ballast tray with quick connectors



Intertek



SERIES	MODEL	LAMP	VOLT	OPTICS	LUMENS	CCT	CONTROL	COLOR	MOUNTING	OPTIONS
AEDC	1620	LED 35 Watt	120-277V UNV 347-408V UNV	TYPE I TYPE II TYPE III	4000	4000K	0-10 V DIMM	TAL = TEXTURED ALUMINUM TBK = TEXTURED BLACK TBZ = TEXTURED BRONZE TWH = TEXTURED WHITE	WMUD = UP/DOWN WALL MOUNT ^ WMDL = WALL MOUNT DOWNLIGHT WMUL = WALL MOUNT UPLIGHT BM/S = BOLLARD MOUNT SINGLE	PHOTO CELL FACTORY INSTALLED PE1 = 120V^^ PE2 = 277V^^ MS = MOTION SENSOR EM = Emergency Backup BT = Bluetooth sensor RD = Remote dimming

### ORDERING INFORMATION

SERIES	MODEL	LAMP	VOLT	OPTICS	LUMENS	CCT	CONTROL	COLOR	MOUNTING	OPTIONS

^ No FF uplight available / ^^ Downlight only

Consult factory for voltage and other lamp options. Product specifications subject to change without notice.

1. Programmable drivers at the PACE factory
2. Color tunable
3. Capable of remote dimming
4. Can be equipped with motion sensors for on/off functioning
5. Can be equipped with light sensors for dusk-to-dawn automatic on/off operation
6. Bluetooth commissioning sensor capability for Android and iOS

Although PACE has prepared the information contained in this document with all due care, PACE does not warrant or represent that the information is free from errors or omission. Whilst the information is considered to be true and correct at the date of publication, changes in circumstances after the time of publication may impact on the accuracy of the information. The information may change without notice and PACE is not in any way liable for the accuracy of any information printed and stored or in any way interpreted or used.

In the interest of product improvement, Pace reserves the right to make technical and product specification changes without notice. Consult factory for voltage and other lamp options.



**PACE**  
ILLUMINATION

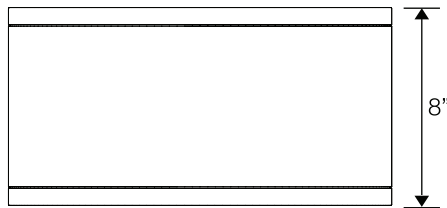
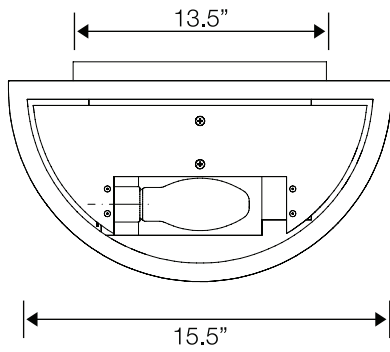
# ROBUSTO

AEDC - demi-cylinder

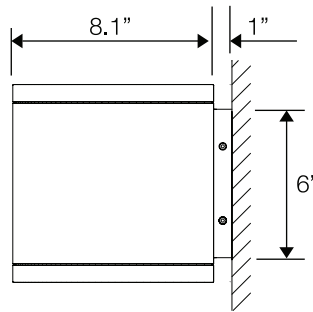
**SIZE**  
15.5" x 8"

**MOUNTING**  
Wall Mount, bollard

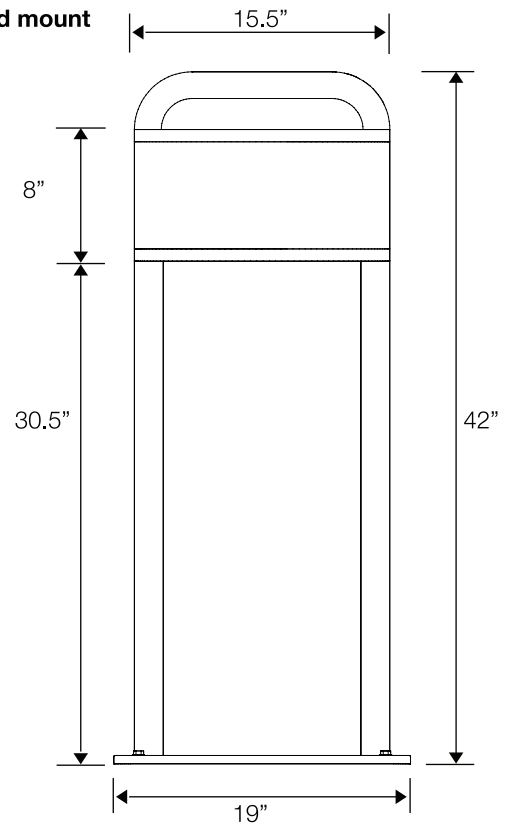
**COLOR**  
Textured polyester powder coat finishes  
RAL colors available



**WM = wall mount**



**BM = bollard mount**



Although PACE has prepared the information contained in this document with all due care, PACE does not warrant or represent that the information is free from errors or omission. Whilst the information is considered to be true and correct at the date of publication, changes in circumstances after the time of publication may impact on the accuracy of the information. The information may change without notice and PACE is not in any way liable for the accuracy of any information printed and stored or in any way interpreted or used.

In the interest of product improvement, Pace reserves the right to make technical and product specification changes without notice. Consult factory for voltage and other lamp options.