



STEPS

JRLS - wall mount

STANDARD FEATURES

- Die-cast aluminum faceplate with recessed lens cavity
- Galvanized steel and powder coated back box
- Suitable for concrete or non-insulated wall
- Approved for through wiring
- Aluminum reflector plate finished in gloss white polyester powder coat
- Prismatic tempered glass lens
- Closed cell continuous neoprene gasket
- Magnetic or electronic ballasts with quick-connect plugs



Intertek



SERIES	MODEL	LAMP	VOLT	LUMENS	CCT	CONTROL	COLOR	OPTIONS
JRLS	5000	10W	120V	800	3000	ELV DIMMER	TAL = TEXTURED ALUMINUM	OPL = OPAL POLYCARBONATE LENS JBS = J-BOX ON SIDE (SEE REVERSE FOR DETAILS) EM = Emergency Backup MS = Motion sensor BT = Bluetooth sensor RD = Remote dimming PE = Photocell installed at factory
							TBK = TEXTURED BLACK	
							TBZ = TEXTURED BRONZE	
							TWH = TEXTURED WHITE	
ORDERING INFORMATION								
SERIES	MODEL	LAMP	VOLT	LUMENS	CCT	CONTROL	COLOR	OPTIONS

Consult factory for voltage and other lamp options. Product specifications subject to change without notice.

1. Programmable drivers at the PACE factory
2. Color tunable
3. Capable of remote dimming
4. Can be equipped with motion sensors for on/off functioning
5. Can be equipped with light sensors for dusk-to-dawn automatic on/off operation
6. Bluetooth commissioning sensor capability for Android and iOS

Although PACE has prepared the information contained in this document with all due care, PACE does not warrant or represent that the information is free from errors or omission. Whilst the information is considered to be true and correct at the date of publication, changes in circumstances after the time of publication may impact on the accuracy of the information. The information may change without notice and PACE is not in any way liable for the accuracy of any information printed and stored or in any way interpreted or used.

In the interest of product improvement, Pace reserves the right to make technical and product specification changes without notice. Consult factory for voltage and other lamp options.



SIZE
10.5" x 5.3"

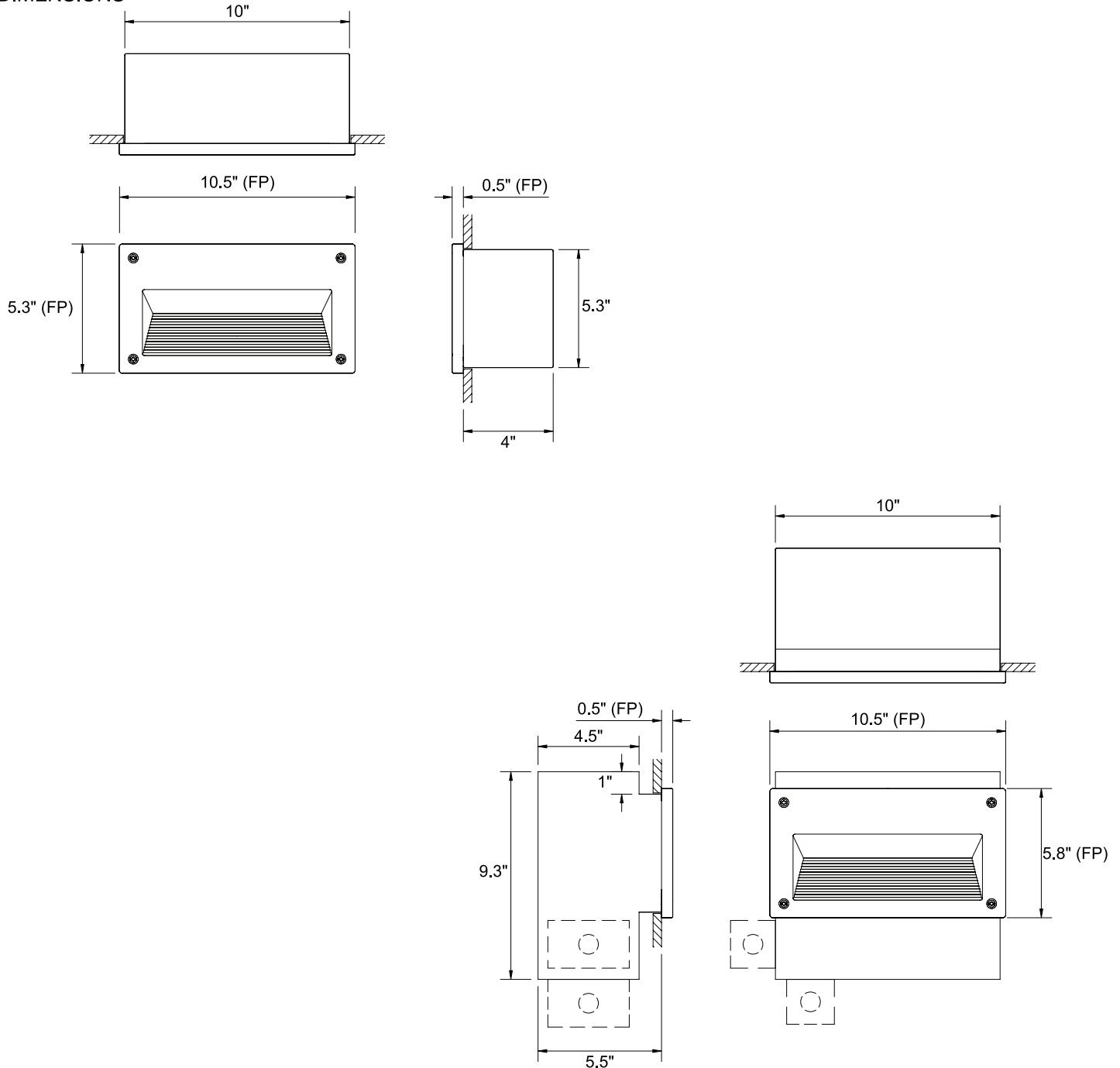
MOUNTING
Recessed wall

COLOR
Textured or smooth polyester powder coat finishes
RAL colors optional

STEPS

JRLS - wall mount

DIMENSIONS



Although PACE has prepared the information contained in this document with all due care, PACE does not warrant or represent that the information is free from errors or omission. Whilst the information is considered to be true and correct at the date of publication, changes in circumstances after the time of publication may impact on the accuracy of the information. The information may change without notice and PACE is not in any way liable for the accuracy of any information printed and stored or in any way interpreted or used.

In the interest of product improvement, Pace reserves the right to make technical and product specification changes without notice. Consult factory for voltage and other lamp options.