



STEPS

TJSL - wall mount

STANDARD FEATURES

- Die-cast aluminum louvered faceplate
- Frosted tempered glass lens
- Zinc coated, formed steel back box post painted with polyester powder coat
- Back box housing can be recessed into concrete or non-insulated wall
- Approved for through wiring
- Die-cast aluminum fixture body and ballast housing recessed into back box
- Faceplates and louvers standard finish in white polyester powder coat



Intertek



SERIES	MODEL	LAMP	VOLT	LUMENS	CCT	CONTROL	COLOR	OPTIONS
TJSL	5000	10W	120V	800	3000	ELV DIMMER	TAL = TEXTURED ALUMINUM	NLU = NO LOUVER FACE PLATE OPL = OPAL POLYCARBONATE LENS BT = Bluetooth sensor RD = Remote dimming
							TBK = TEXTURED BLACK	
							TBZ = TEXTURED BRONZE	
							TWH = TEXTURED WHITE	

ORDERING INFORMATION

SERIES	MODEL	LAMP	VOLT	LUMENS	CCT	CONTROL	COLOR	OPTIONS

Consult factory for voltage and other lamp options. Product specifications subject to change without notice.

1. Programmable drivers at the PACE factory
2. Color tunable
3. Capable of remote dimming
4. Can be equipped with motion sensors for on/off functioning
5. Can be equipped with light sensors for dusk-to-dawn automatic on/off operation
6. Bluetooth commissioning sensor capability for Android and iOS

Although PACE has prepared the information contained in this document with all due care, PACE does not warrant or represent that the information is free from errors or omission. Whilst the information is considered to be true and correct at the date of publication, changes in circumstances after the time of publication may impact on the accuracy of the information. The information may change without notice and PACE is not in any way liable for the accuracy of any information printed and stored or in any way interpreted or used.

In the interest of product improvement, Pace reserves the right to make technical and product specification changes without notice. Consult factory for voltage and other lamp options.



PACE
ILLUMINATION

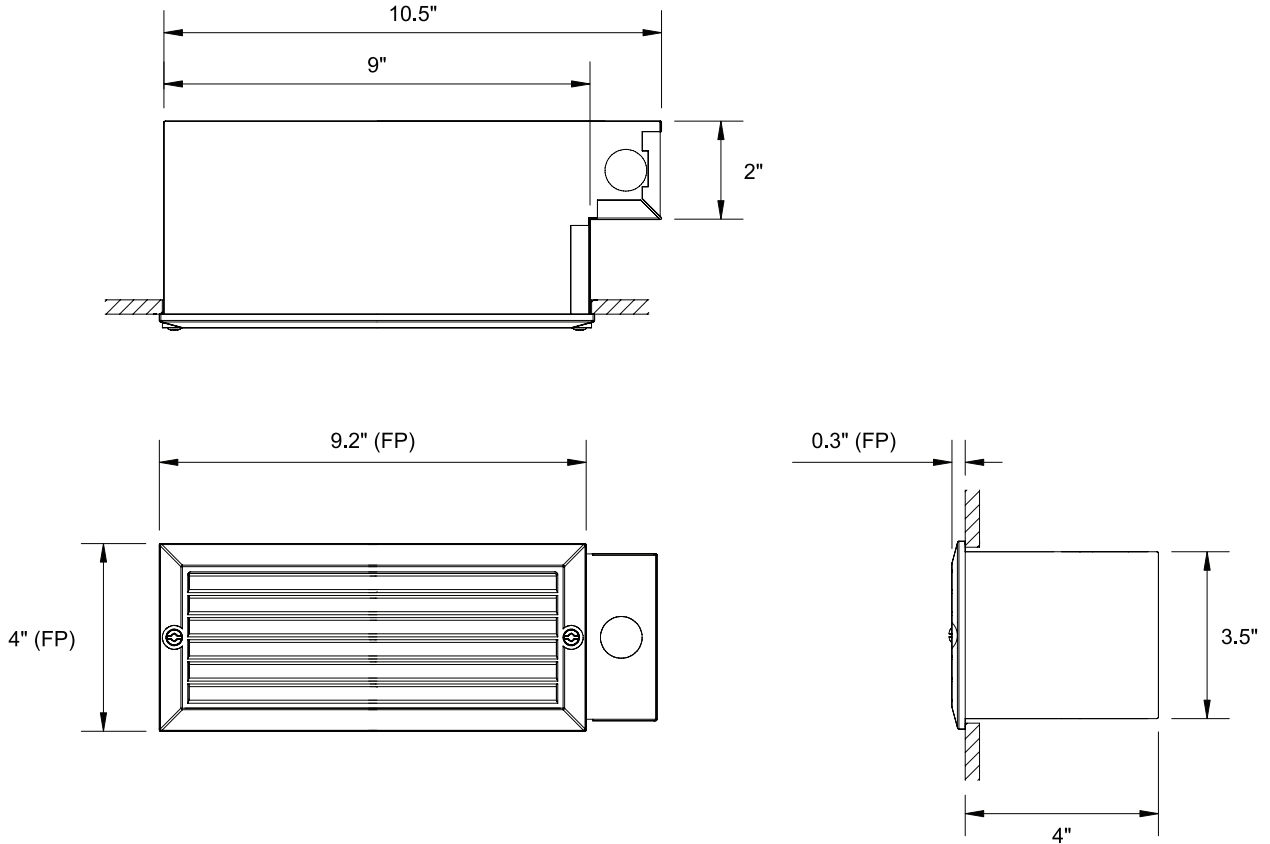
STEPS

TJSL - wall mount

SIZE
9.2" x 4"

MOUNTING
Recessed wall

COLOR
Textured or smooth polyester powder coat finishes
RAL colors available



Although PACE has prepared the information contained in this document with all due care, PACE does not warrant or represent that the information is free from errors or omission. Whilst the information is considered to be true and correct at the date of publication, changes in circumstances after the time of publication may impact on the accuracy of the information. The information may change without notice and PACE is not in any way liable for the accuracy of any information printed and stored or in any way interpreted or used.

In the interest of product improvement, Pace reserves the right to make technical and product specification changes without notice. Consult factory for voltage and other lamp options.