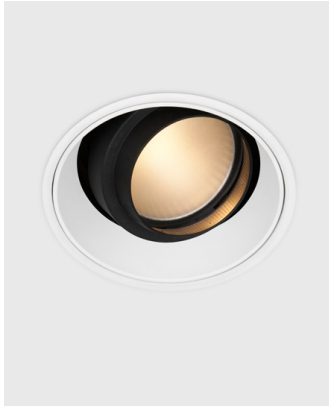


Date: \_\_\_\_\_ Customer: \_\_\_\_\_

Project: \_\_\_\_\_

Type: \_\_\_\_\_ Qty: \_\_\_\_\_



Aplis is designed for recessed use and is characterized by the deeper position of the light source in relation to the ceiling level. Aplis provides the feeling of light without the sight of light. For new construction or remodel installation, each luminaire has a choice of required and optional accessories that can be chosen depending on your project. Aplis is a round recessed spotlight system, able to respond to the highest qualitative and functional requirements of architectural lighting design.

Aplis 165 features a round aperture with flange, or in-Line for trimless install in drywall, and can be rotated up to 360° and tilted by 30° without compromising the recessed position of the lamp or the glare control. The luminaire can aim both at vertical and horizontal surfaces. Aplis 165 is equipped with a filter holder and anti-glare snoot. The internal gear can be handled from the room-side.

Aplis 165 is also available in a Wall-Wash optic for wide and even wall illumination.

Aplis 165 is standard with 0-10V dimming (other dimming options available)

## Construction

### Luminaire

Made from zamak die cast aluminum alloy.

### Backbox

Made from sheet steel.

### Finishes

- White (RAL 9016)
- Black (RAL 9004)
- RAL color finish upon request

### Mounting Options

Recess mounting in drywall or wood.

### Classifications

All Aplis 165 products are rated for indoor use only, in either a dry or damp location, unless using an IP44 rated louver. In case of IP44 rated louver, fixture may be installed in certain wet locations. Contact factory for more information.

## Electrical Characteristics

### LED Specification

Xicato Zhaga compliant LED module with Corrected Cold Phosphor Technology® (remote phosphor to limit color shift over time. Tight color consistency within 1x2 MacAdam Ellipses.

### LED Life

L80 greater than 50,000 hours.

### Correlated Color Temperature (CCT)

- Available in 2700K, 3000K, 3500K and 4000K.
- CRI 80+, 98+.

### Gear

Aplis 165 is standard with TRIAC phase dim (120V only), or 0-10V dim (120-277V; for non-dimming applications cap off dimming wires independently). Optional dimming choices available for 1% or below dimming. See ordering codes for additional options.



# Aplis 165 – Recessed Downlight 6.5" Aperture (Round)



## Ordering Codes

KU -	165 -	-	-	-	-	-	-	-	-	-
KREON APLIS 165	APERTURE SIZE	LIGHT DIRECTION	BEAM ANGLE	LIGHT SOURCE AND CCT	LUMEN PACKAGE*	CRI	TRIM/LOUVER COLOR**	DIMMING	BACKBOX OPTION	OPTIONAL ACCESSORIES (BLANK FOR NONE)
<b>APL</b> – For flanged install in drywall, plaster, or ACT ceiling <b>APLIL</b> (in-Line) – For trimless/flangeless install in drywall or plaster ceiling <b>AILSG</b> – in-Line w/ Shadow Gap	<b>165</b> mm (2" including flange, 1.5" in-line) ~7" including flange ~6.5" in-Line	<b>FX</b> – Fixed <b>DR</b> – Adjustable 30°	<b>SP</b> – Spot 15° <b>NR</b> – Narrow 24° <b>FL</b> – Flood 45° <b>WW</b> – Wall Wash (use FX for Light Direction)	<b>27</b> – 2700K <b>30</b> – 3000K <b>35</b> – 3500K <b>40</b> – 4000K	<b>SO</b> – Standard Output (2000 lm, 20W for 80+ CRI) (1600 lm, 17W for 98+ CRI) <b>HO</b> – High Output, (3000 lm, 30W for 80+ CRI) (2200 lm, 23W for 98+ CRI)	<b>80</b> – 80+ min CRI <b>98</b> – 98+ min CRI	<b>WHT</b> – White <b>BLK</b> – Black	<b>D1</b> – Triac Phase Dim (120V only) <b>D1LD</b> – Triac Phase Dim, low dimming (1%, 120V only) <b>D2</b> – 0-10V dim (10%) <b>D2LD</b> – 0-10V dim, low dimming (1%) <b>D3-2W</b> – Lutron Hi-Lume dim to 1% (2 wire forward phase, 120V) <b>D3-3W</b> – Lutron Hi-Lume dim to 1% (3 wire 120/277V) <b>D3-ECO</b> – Lutron Hi-Lume dim to 1% soft-on, fade-to-black (5 wire 120/277V) <b>D4</b> – EldoLED dim to dark	<b>PN120</b> – non-IC fixture tray/pan (120V)*** <b>PN277</b> – non-IC fixture tray/pan (277V)*** <b>NIC</b> – Non-IC Backbox <b>IC</b> – IC rated <b>AIC</b> – Airtight, IC rated (for SO lumen package only) <b>CP</b> – Chicago Plenum	<b>SL</b> – softening lens <b>DL</b> – diffusing lens <b>SC</b> – sculpture lens <b>UV</b> – UV filter <b>AG</b> – anti-glare louver <b>FR</b> – Filter red <b>FM</b> – Filter Magenta <b>FO</b> – Filter Orange <b>DC</b> – Daylight converter <b>IR</b> – Infrared filter <b>SK</b> – Skintone filter

Ordering Example: KU-AILSG-165-FX-WW-40-15-98-BLK-D5-CP-FO

\*Lumen Package designates module lumens. Light Direction, CCT, and Optional Accessories will all impact light output. Please see IES files for delivered lumens.

\*\* Consult factory for custom RAL finish color options.

\*\*\* Only suitable for installation in accessible ceilings (i.e. ACT, grid). Can not be used for closed ceilings.

## Photometry — For full photometry, please reference IES files on [www.kreon.com](http://www.kreon.com)

### KUAPL-165-DR-NR-27-20-80 (no accessories)

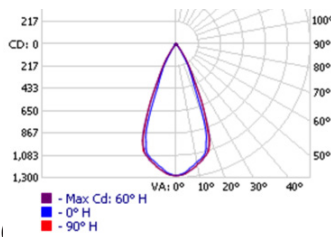
Light Engine: 2000 lumens

CCT: 2700K

CRI: 80+

Power: 21W

Luminaire Output: 1400 lumens / lm/W



### KUAPL-165-WW-NR-27-20-80 (no accessories)

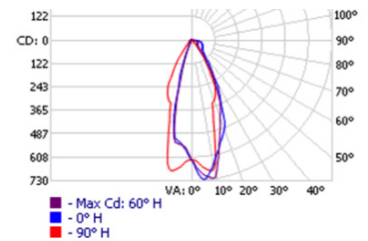
Light Engine: 2000 lumens

CCT: 2700K

CRI: 80+

Power: 21W

Luminaire Output: 905 lumens (43 lm/W)



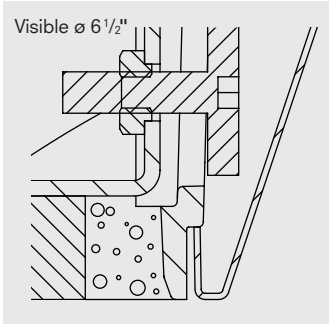
### Color Rendering Index (3000K Typical), 80+ CRI

	Ra	R1	R2	R3	R4	R5	R6	R7	R8	R9	R10	R11	R12	R13	R14	R15
Standard Series	83	82	89	95	84	82	87	86	65	16	64	79	58	81	93	75

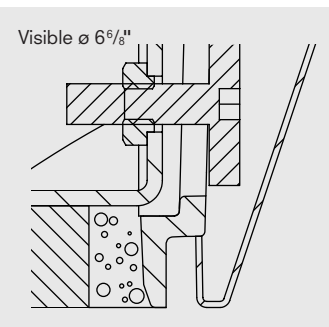
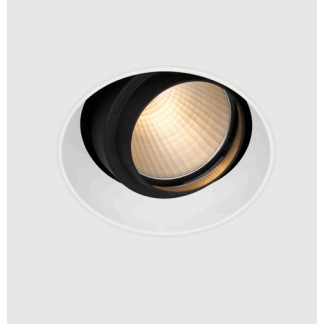
### Color Rendering Index (3000K Typical), 98+ CRI

	Ra	R1	R2	R3	R4	R5	R6	R7	R8	R9	R10	R11	R12	R13	R14	R15
Artists Series	98	98	99	98	98	98	97	98	98	98	99	98	88	98	98	98

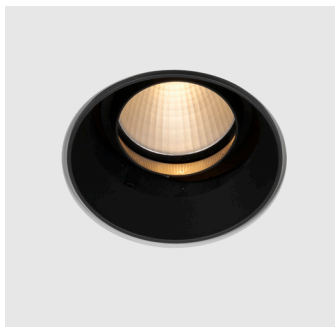
## Mounting/Installation



Installation Finish Flush



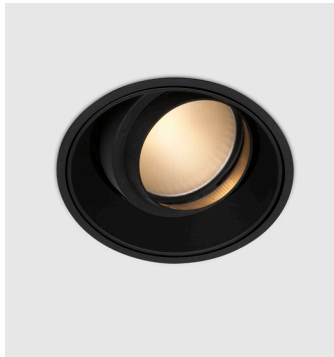
Installation Finish Shadowgap



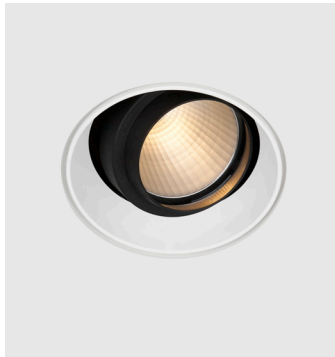
Directional or Fixed Modules	L	W*	H
Non-IC	14 5/8"	8 5/8"	8 5/8"
IC	14 5/8"	8 5/8"	8 7/8"
Airtight IC	16 7/8"	12"	8 1/2"
CCEA (Chicago Plenum)	16 7/8"	12"	8 1/2"

Butterfly brackets and hanger bars are included.  
\*Width does not include butterfly brackets (if needed)

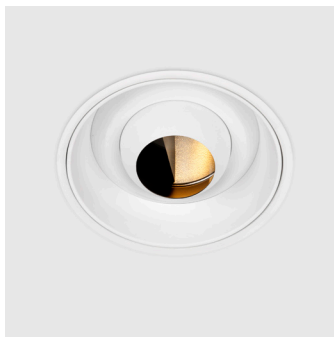
Aplis 165 Backbox Dimensions



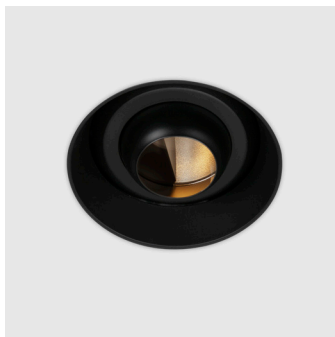
Black Aplis 165 Directional



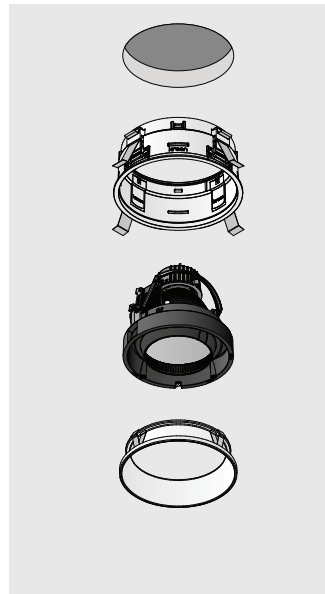
White Aplis 165 in-Line with Shadowgap, Directional



White Aplis 165 Wallwasher



Black Aplis 165 in-Line Wallwasher, Flush



**Construction**  
Schematic representation of assembly Aplis 165



**Butterfly brackets** for tray/pan solution are included.  
**Hanger bars** are not included for the fixture tray/pan solution.

**Construction**  
Schematic representation of assembly Aplis in-line 165



Aplis luminaires are ETL Listed for dry and damp locations.  
Aplis luminaires lend support for LEED credits and certification.