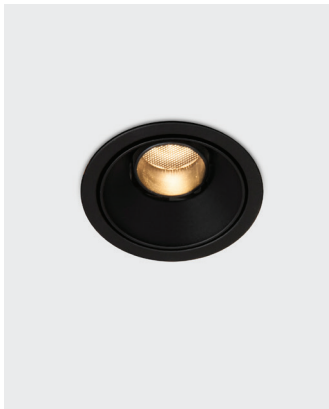


Date: \_\_\_\_\_ Customer: \_\_\_\_\_

Project: \_\_\_\_\_

Type: \_\_\_\_\_ Qty: \_\_\_\_\_



Aplis is designed for recessed use and is characterized by the deeper position of the light source in relation to the ceiling level. Aplis provides the feeling of light without the sight of light. For new construction installation, each luminaire has a choice of required and optional accessories that can be chosen depending on your project. Aplis is a round recessed spotlight system, able to respond to the highest qualitative and functional requirements of architectural lighting design.

Aplis 40 features a round aperture with flange, or in-line for trimless install in drywall, and can be rotated up to 360° and tilted by 30° without compromising the recessed position of the lamp or the glare control. The luminaire can aim both at vertical and horizontal surfaces. Aplis 40 is equipped with a filter holder and anti-glare snoot.

Aplis 40 is also available in a Wall-Wash optic for wide and even wall illumination.

Aplis 40 is standard with 0-10V dimming (other dimming options available).

## Construction

### Luminaire

Made from zamak die cast aluminum alloy.

### Finishes

- White (RAL 9016)
- Black (RAL 9004)
- RAL color finish upon request

### Mounting Options

Recess mounting in drywall or wood.

### Classifications

Aplis 40 products are rated for indoor use only, in either a dry or damp location. When using an IP44 rated louver, fixture may be installed in certain wet locations. Contact factory for more information.

## Electrical Characteristics

### LED Specification

Cree LED for 200 lumen package.

### LED Life

L80 greater than 50,000 hours.

### Correlated Color

#### Temperature (CCT)

- Available in 2700K, 3000K, 3500K and 4000K.
- CRI 80+, 95+.

### Gear

Remote driver with standard option of 0-10V (120-277V) or TRIAC phase dimming (120V only). Other dimming options available.



## Ordering Codes

KU___ -	40 -	___ -	___ -	___ -	___ -	___ -	___ -	___ -	___ -	___ -
KREON CODE	APERTURE SIZE	LIGHT DIRECTION	BEAM ANGLE	LIGHT SOURCE AND CCT	LUMEN PACKAGE*	CRI	TRIM/LOUVER COLOR**	DIMMING	BACKBOX OPTIONS***	OPTIONAL ACCESSORIES (BLANK FOR NONE)
<b>APL</b> – For flanged install in drywall, plaster, or ACT ceiling <b>APLIL</b> (in-Line) – For trimless/flangeless install in drywall or plaster ceiling <b>AILSG</b> – in-Line w/ Shadow Gap	40 mm ~2" with flange ~1.5" in-Line	<b>FX</b> – Fixed <b>DR</b> – Adjustable 30° (not available in 500 lumen module) <b>NR</b> – Narrow 24° <b>FL</b> – Flood 45° <b>WW</b> – Wall Wash (use FX for Light Direction, not available in 500lm) <sup>5</sup>	<b>SP</b> – Spot 10° (not available in 500 lumen module) <b>NR</b> – Narrow 24° <b>FL</b> – Flood 45° <b>WW</b> – Wall Wash (use FX for Light Direction, not available in 500lm) <sup>5</sup>	<b>27</b> – 2700K <b>30</b> – 3000K <b>35</b> – 3500K (not available in 500lm) <b>40</b> – 4000K	<b>02</b> – 200 lumen, 3W (4W for high CRI) <b>05</b> – 500 lumen, 7W (420 lumen for high CRI) <sup>5</sup>	<b>80</b> – 80+ min CRI <b>95</b> – 95+ min CRI	<b>WHT</b> – White <b>BLK</b> – Black <b>GRY</b> – Grey (APL Only) <b>RSC</b> – Red Satin Copper (in-Line versions only) <b>GBL</b> – Gun Black (Brushed Alm Finish; in-Line versions only)	<b>D2</b> – 0-10V dim (10%) <b>D3-2W</b> – Lutron Hi-Lume dim to 1% (2 wire forward phase, 120V) <b>D3-3W</b> – Lutron Hi-Lume dim to 1% (3 wire 120/277V) <b>D3-ECO</b> – Lutron Hi-Lume dim to 1% soft-on, fade-to-black (5 wire 120/277V) <b>D4</b> – EldoLED dim to dark	<b>RM9W</b> – 9 W Phase dimming up to 4 fixtures <b>RM12W</b> – 12W, 0-10v dimming for 3-5 fixtures <b>RM50W</b> – 50W, 0-10V dimming for up to 24 fixtures <b>RM100W</b> – 100W, 0-10V dimming – up to 48 fixtures	<b>44</b> – IP44 splash resistant lens (clear) <sup>4</sup> <b>44F</b> – IP44 splash resistant lens (frosted) <sup>4</sup>

Ordering Example: KU-APLIL-40-DR-FL-35-02-80-BLK-D2-RM12W

<sup>1</sup> Lumen package designates module lumen. Light direction, CCT, and optional accessories will all impact light output. Please see IES files for delivered lumen.

<sup>2</sup> Consult factory for custom RAL finish color options.

<sup>3</sup> Maximum recommended distance from driver to fixture with 18AWG wiring is 50 feet.

<sup>4</sup> IP44 rating option protects against splashing water.

<sup>5</sup> Available as (FX) Fixed Only.

## Photometry — For full photometry, please reference IES files on [www.kreon.com](http://www.kreon.com)

### KUAPL-40-DR-NR-27-13-80

(no accessories)

Light Engine: 200 lumens

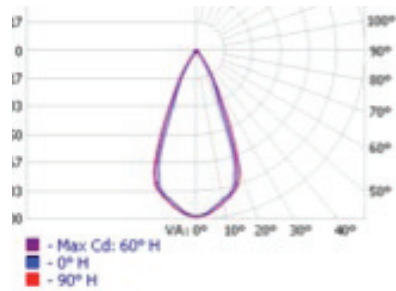
CCT: 2700K

CRI: 80+

Power: 2W

Luminaire Output:

147 lumens (73 lm/W)



### KUAPL-40-WW-NR-27-13-80

(no accessories)

Light Engine: 200 lumens

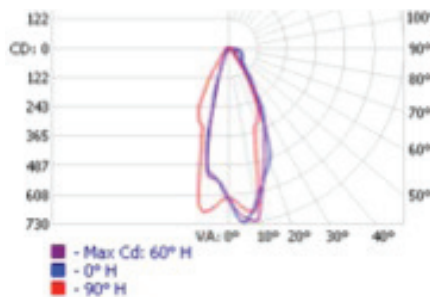
CCT: 2700K

CRI: 80+

Power: 2W

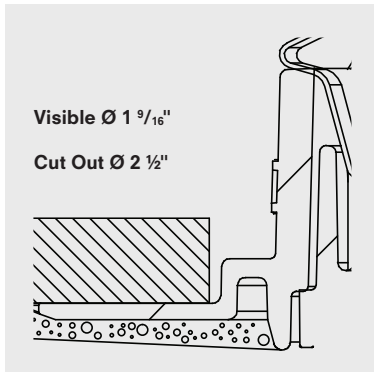
Luminaire Output:

112 lumens (56 lm/W)

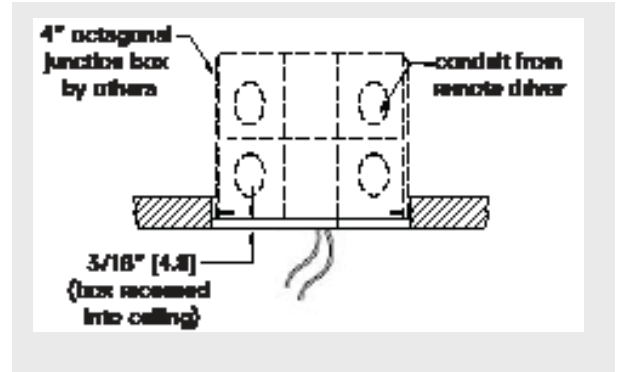
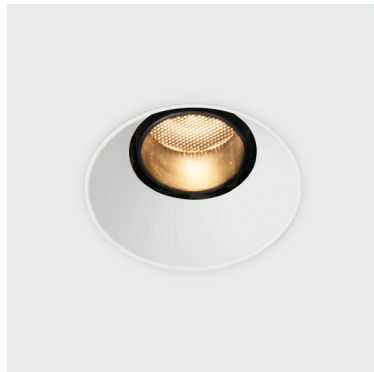


Aplis luminaires are ETL listed for dry or damp locations.  
Aplis luminaires lend support for LEED credits and certification.

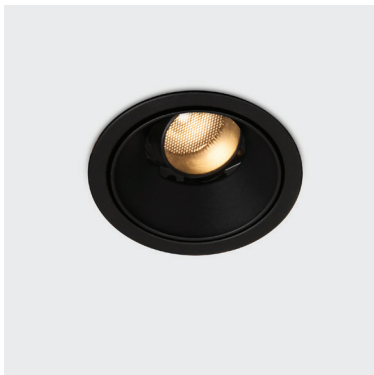
## Mounting/Installation



Aplis in-Line 40 Installation Finish Flush



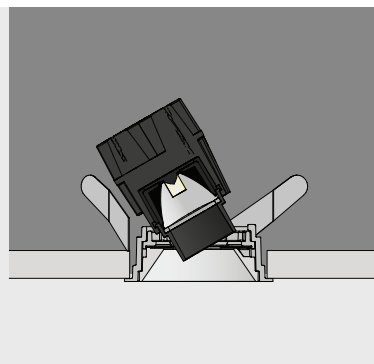
Remote Driver Wiring and Mounting



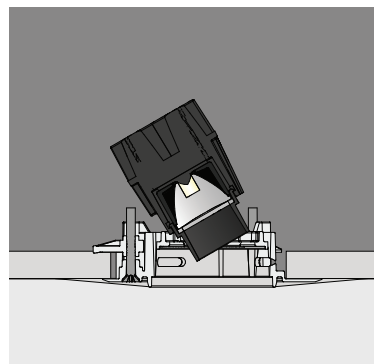
Black Aplis 40 Directional



White Aplis in-Line 40 Wallwasher, Flush

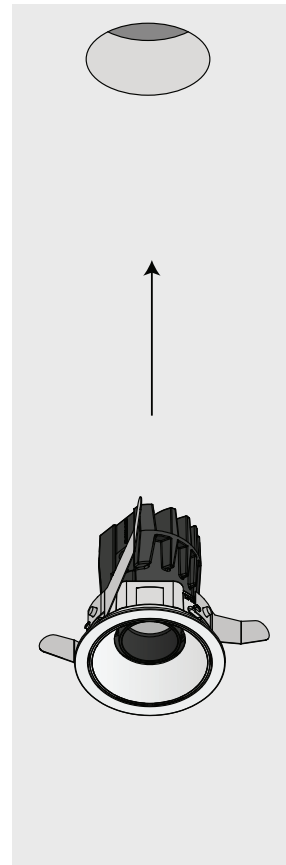


Aplis 40

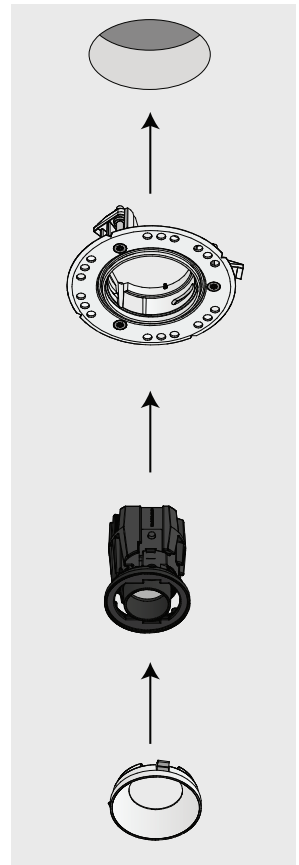


Aplis in-Line 40

**Installation:** The mounting with the use of springs ensures a quick and easy installation



**Construction**  
Schematic representation of assembly Aplis 40



**Construction**  
Schematic representation of assembly Aplis in-Line 40