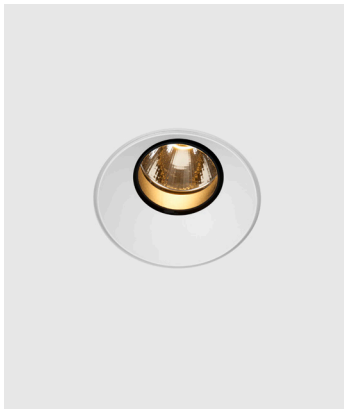


Date: _____ Customer: _____

Project: _____

Type: _____ Qty: _____



Aplis is designed for recessed use and is characterized by the deeper position of the light source in relation to the ceiling level. Aplis provides the feeling of light without the sight of light. In new construction or remodel installation, each luminaire has a choice of required and optional accessories that can be chosen depending on your project. Aplis is a round recessed spotlight system, able to respond to the highest qualitative and functional requirements of architectural lighting design.

Aplis 120 features a round aperture with flange, or in-Line for trimless install in drywall, and can be rotated up to 360° and tilted by 30° without compromising the recessed position of the lamp or the glare control. The luminaire can aim both at vertical and horizontal surfaces. Aplis 120 is equipped with a filter holder and anti-glare snoot. The internal gear can be handled from the room-side.

Aplis 120 is also available in a Wall-Wash optic for wide and even wall illumination.

Aplis 120 is standard with 0-10V dimming (other dimming options available).

Construction

Luminaire

Made from zamak die cast aluminum alloy.

Backbox

Made from sheet steel.

Finishes

- White (RAL 9016)
- Black (RAL 9004)
- RAL color finish upon request

Mounting Options

Recess mounting in drywall, plaster, grid/ACT ceiling, or wood.

Classifications

All Aplis 120 products are rated for indoor use only, in either a dry or damp location, unless using an IP44 rated louver. In case of IP44 rated louver, fixture may be installed in certain wet locations. Contact factory for more information.

Electrical Characteristics

LED Specification

Xicato Zhaga compliant LED module with Corrected Cold Phosphor Technology® (remote phosphor to limit color shift over time. Tight color consistency within 1x2 MacAdam Ellipses).

For Warm Dim, Tunable White and Full Color Tunable Options Lumenetix Araya 5 LED module - 5 color chip array to stabilize coloring across full spectrum, with all 1640-8000K whites occurring fully on black body curve,

maintaining 95CRI or better. Tight color consistency with Max 2 SSD.

LED Life

L80 greater than 50,000 hours.

Correlated Color Temperature (CCT)

- Available in 2700K, 3000K, 3500K and 4000K Warm Dim range 1800K-3000K, tunable white range 1650K-8000K, and fully saturated color with color tunable option.
- CRI 80+, 95+, 98+.

Gear

Aplis 80 is standard with TRIAC phase dim (120V only), or 0-10V dim (120-277V; for non-dimming applications cap off dimming wires independently).



Ordering Codes

KU -	120 -	-	-	-	-	-	-	-	-	-
KREON APLIS 120	APERTURE SIZE	LIGHT DIRECTION	BEAM ANGLE	LIGHT SOURCE AND CCT	LUMEN PACKAGE*	CRI	TRIM/ LOUVER COLOR**	DIMMING	BACKBOX OPTION***	OPTIONAL ACCESSORIES (BLANK FOR NONE)
APL – For flanged install in sheetrock, plaster, or ACT ceiling APLIL (in-Line) – For trimless/flangeless install in sheetrock or plaster ceiling AISLG – (in-Line w/ Shadow Gap)	120 mm ~5.25" including flange ~4.75" in-Line	FX – Fixed DR – Adjustable 30°	SP – Spot 15° NR – Narrow 30° FL – Flood 40° WF – Wide Flood 55° WW – Wall Wash (use FX for light direction)	27 – 2700K 30 – 3000K 35 – 3500K 40 – 4000K WD – warm dim TW – Tunable white CT – full color tunable	SO – Standard Output (1500 lm, 15W for 80+ CRI) HO – High Output, (2000 lm, 20W for 80+ CRI) <i>HO option available with Fixed Light Module only</i>	80 – 80+ min CRI 95 – 95 CRI (For WD, TW, CT) 98 – 98+ min CRI	WHT – White BLK – Black	D1 – Triac Phase Dim (120V only) D1LD – Triac Phase Dim, low dimming (1%, 120V only) D2 – 0-10V dim (10%) D2LD – 0-10V dim, low dimming (1%) D3-2W – Lutron Hi-Lume dim to 1% (2 wire forward phase, 120V) D3-3W – Lutron Hi-Lume dim to 1% (3 wire 120/277V) D3-ECO – Lutron Hi-Lume dim to 1% soft-on, fade-to-black (5 wire 120/277V) D4 – EldoLED dim to dark	PN120 – non-IC fixture tray/pan (120V)*** PN277 – non-IC fixture tray/pan (277V)*** NIC – Non-IC Backbox IC – IC rated AIC – Airtight, IC rated (for SO lumen package only) CP – Chicago Plenum	SL – softening lens DL – diffusing lens SC – sculpture lens UV – UV filter 44 – IP44 splash resistant clear lens*** 44F – IP44 splash resistant frosted lens

Ordering Example: KU-APL-120-FX-WF-27-HO-98-WHT-D2-PN

All Aplis 120 products are rated for indoor use only, in either a dry or damp location, unless using an IP44 rated louver. In case of IP44 rated louver, fixture may be installed in certain wet locations. Contact factory for more information.

*Lumen Package designates module lumens. Light Direction, CCT, and Optional Accessories will all impact light output. Please see IES files for delivered lumens.

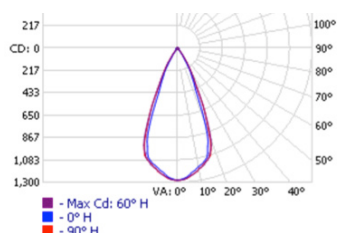
** Consult factory for custom RAL finish color options.

*** Only suitable for installation in accessible ceilings (i.e. ACT, grid). Can not be used for closed ceilings.

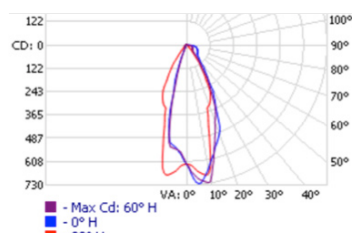
**** IP44 rating option protects against splashing water. Choose this accessory for glass lens between beveled louver and reflector.

Photometry — For full photometry, please reference IES files on www.kreon.com

KUAPL-120-FX-FL-27-SO-80
 (no accessories)
 Light Engine: 1500 lumens
 CCT: 2700K
 CRI: 80+
 Power: 15W
 Luminaire Output:
 1050 lumens (70 lm/W)



KUAPL-120-FX-WW-27-SO-80
 (no accessories)
 Light Engine: 1500 lumens
 CCT: 2700K
 CRI: 80+
 Power: 15W
 Luminaire Output: 675 lumens
 (45 lm/W)

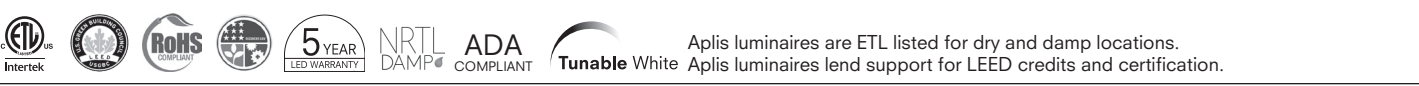


Color Rendering Index (3000K Typical), 80+ CRI

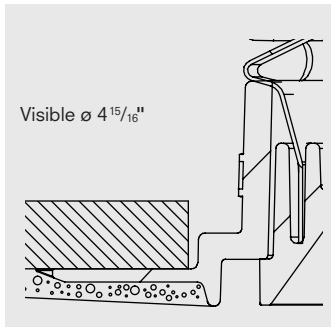
Ra	R1	R2	R3	R4	R5	R6	R7	R8	R9	R10	R11	R12	R13	R14	R15	
Standard Series	83	82	89	95	84	82	87	86	65	16	64	79	58	81	93	75

Color Rendering Index (3000K Typical), 98+ CRI

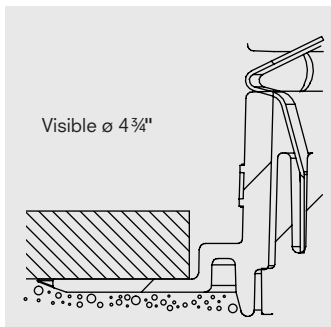
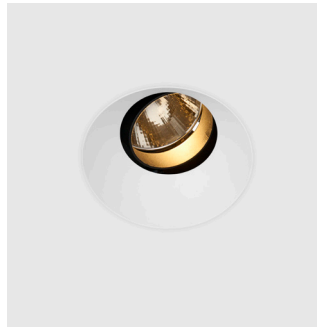
Ra	R1	R2	R3	R4	R5	R6	R7	R8	R9	R10	R11	R12	R13	R14	R15
Artists Series	98	98	99	98	98	98	97	98	98	98	98	88	98	98	98



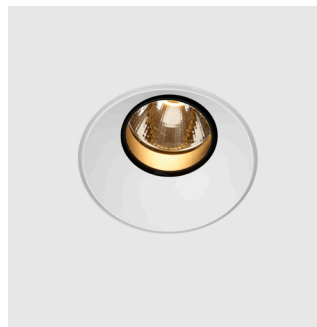
Mounting/Installation



Aplis 120 in-Line Installation Finish Flush



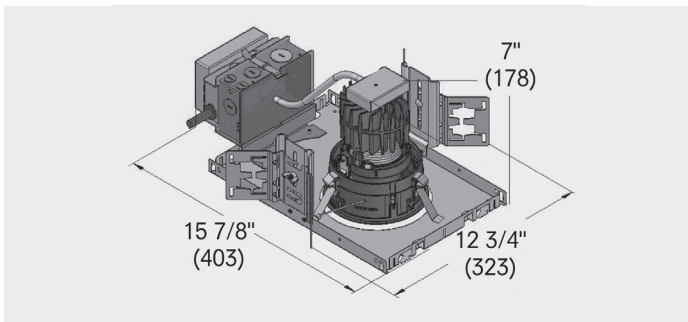
Aplis 120 in-Line with Shadow gap Installation Finish



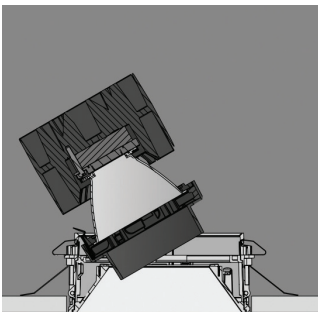
Directional or Fixed Modules	L	W*	H
Non-IC	14 5/8"	8 5/8"	8 5/8"
IC	14 5/8"	8 5/8"	8 7/8"
Airtight IC	16 7/8"	12"	8 1/2"
CCEA (Chicago Plenum)	16 7/8"	12"	8 1/2"

Butterfly brackets and hanger bars are included.
*Width does not include butterfly brackets (if needed)

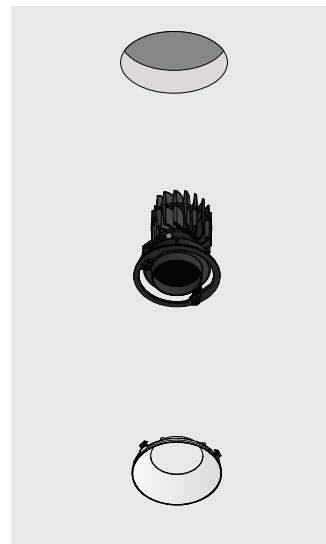
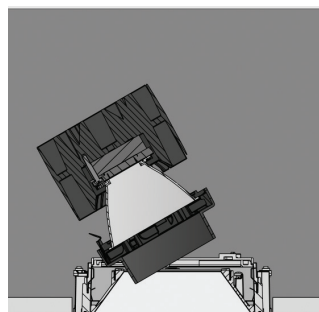
Aplis 120 Backbox Dimensions



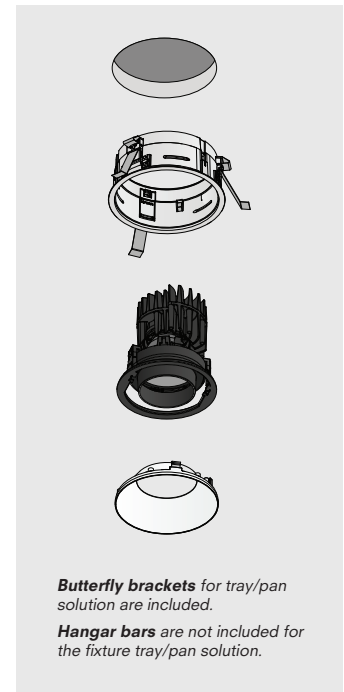
"PN" back box option,



Installation: The mounting with the use of springs ensures a quick and easy installation



Construction
Schematic representation of assembly Aplis 120



Butterfly brackets for tray/pan solution are included.
Hanger bars are not included for the fixture tray/pan solution.

Construction
Schematic representation of assembly Aplis in-line 120: plasterkit + luminaire + louvre.