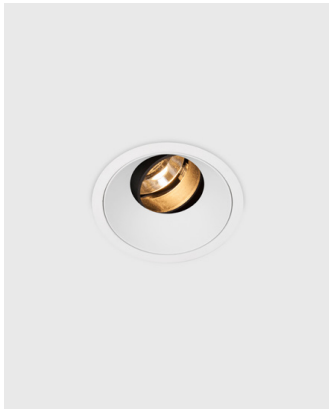


Date: \_\_\_\_\_ Customer: \_\_\_\_\_

Project: \_\_\_\_\_

Type: \_\_\_\_\_ Qty: \_\_\_\_\_



Aplis is designed for recessed use and is characterized by the deeper position of the light source in relation to the ceiling level. Aplis provides the feeling of light without the sight of light. For new construction or remodel installation, each luminaire has a choice of required and optional accessories that can be chosen depending on your project. Aplis is a round recessed spotlight system, able to respond to the highest qualitative and functional requirements of architectural lighting design.

Aplis 80 features a round aperture with flange, or in-line for trimless install in drywall, and can be rotated up to 360° and tilted by 30° without compromising the recessed position of the lamp or the glare control. The luminaire can aim both at vertical and horizontal surfaces. Aplis 80 is equipped with a filter holder and anti-glare snoot. The internal gear can be handled from the room-side.

Aplis 80 is also available in a Wall-Wash optic for wide and even wall illumination.

Aplis 80 is standard with 0-10V dimming (other dimming options available).

## Construction

### Luminaire

Made from zamak die cast aluminum alloy.

### Backbox

Made from sheet steel.

### Finishes

- White (RAL 9016)
- Black (RAL 9004)
- RAL color finish upon request

### Mounting Options

Recess mounting in drywall, plaster, grid/ACT ceiling, or wood.

### Classifications

All Aplis 80 products are rated for indoor use only, in either a dry or damp location, unless using an IP44 rated louver. In case of IP44 rated louver, fixture may be installed in certain wet locations. Contact factory for more information.

## Electrical Characteristics

### LED Specification

Xicato Zhaga compliant LED module with Corrected Cold Phosphor Technology® (remote phosphor to limit color shift over time. Tight color consistency within 1x2 MacAdam Ellipses).

**For Warm Dim, Tunable White and Full Color Tunable Options** Lumenetix Araya 5 LED module - 5 color chip array to stabilize coloring across full spectrum, with all 1640-8000K whites occurring fully on black body curve, maintaining 95CRI or better.

Tight color consistency with Max 2 SSD.

### LED Life

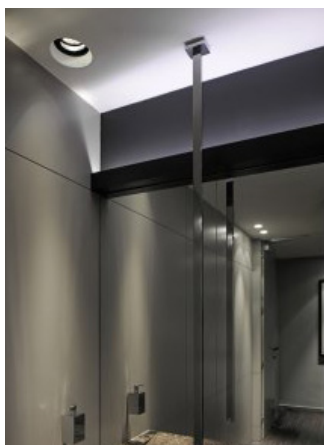
L80 greater than 50,000 hours.

### Correlated Color Temperature (CCT)

- Available in 2700K, 3000K, 3500K and 4000K Warm Dim range 1800K-3000K, tunable white range 1650K-8000K, and fully saturated color with color tunable option.
- CRI 80+, 95+, 98+.

### Gear

Aplis 80 is standard with TRIAC phase dim (120V only), or 0-10V dim (120-277V; for non-dimming applications cap off dimming wires independently).



# Aplis 80 – Recessed Downlight 3" Aperture (Round)



## Ordering Codes

KREON CODE	APERTURE SIZE	LIGHT MODULE	BEAM ANGLE	LIGHT SOURCE AND CCT	LUMEN PACKAGE*	CRI	TRIM/LOUVER COLOR**	DIMMING	BACKBOX OPTION	OPTIONAL ACCESSORIES (BLANK FOR NONE)
<b>KU</b> - <b>80</b> - _____ - _____ - _____ - _____ - _____ - _____ - _____ - _____ - _____ -										
<b>APL</b> – For flanged install in sheetrock, plaster, or ACT ceiling <b>APLIL</b> (in-line) – For trimless/flangeless install in drywall or plaster ceiling <b>AILSG</b> (in-line w/Shadow Gap)	80 mm ~3 3/4" including flange ~3 1/8" in-line	<b>DR</b> – Directional Adjustable 30°  <b>FX</b> – Fixed	<b>NR</b> – Narrow 30° (combine w/diffusing lens for wider distribution)  <b>FL</b> – Flood 40° <b>WF</b> – Wide Flood 55° <b>WW</b> – Wallwash Optic (use FX for light module)	<b>27</b> – 2700K <b>30</b> – 3000K <b>35</b> – 3500K (not available in 500lm) <b>40</b> – 4000K <b>WD</b> – warm dim <b>TW</b> – Tunable white <b>CT</b> – full color tunable	<b>SO</b> – Standard Output, 13W (1300 lm for 80+ CRI) (965 lm for 98+ CRI) <b>HO</b> – High Output, (2000 lm, 20W for 80+ CRI) (1400 lm, 17W for 98+ CRI) <i>HO option only available with Fixed Light Module</i>	<b>80</b> – 80+ min CRI <b>95</b> – 95 CRI (For WD, TW, CT) <b>98</b> – 98+ min CRI	<b>WHT</b> – White <b>BLK</b> – Black <b>RSC</b> – Red Satin Copper (in-line versions only) <b>GBL</b> – Gun Black (Brushed Alm Finish; in-line versions only)	<b>D1</b> – Triac Phase Dim (120V only) <b>D1LD</b> – Triac Phase Dim, low dimming (1%, 120V only) <b>D2</b> – 0-10V dim (10%) <b>D2LD</b> – 0-10V dim, low dimming (1%) <b>D3-2W</b> – Lutron Hi-Lume dim to 1% (2 wire forward phase, 120V) <b>D3-3W</b> – Lutron Hi-Lume dim to 1% (3 wire 120/277V) <b>D3-ECO</b> – Lutron Hi-Lume dim to 1% soft-on, fade-to-black (5 wire 120/277V) (all D3 options with PN backbox only) <b>D4</b> – EldoLED dim to dark (with PN backbox only)	<b>PN120</b> – non-IC fixture tray/pan (120V)*** <b>PN277</b> – non-IC fixture tray/pan (277V)*** <b>NIC</b> – Non-IC Backbox <b>IC</b> – IC rated <b>AIC</b> – Airtight, IC rated (for SO lumen package only) <b>CP</b> – Chicago Plenum <b>SH</b> – Shallow Backbox (non-IC) <b>RM120</b> – Remodel (no backbox, LV wiring in whip to driver box) (120V) <b>RM277</b> – Remodel (no backbox, LV wiring in whip to driver box) (277V)	For <b>DR</b> Light Modules Only: <b>SL</b> – softening lens <b>SC</b> – sculpture lens For <b>FX</b> or <b>DR</b> Light Modules: <b>AG</b> – anti-glare louver <b>DL</b> – diffusing lens <b>44</b> – IP44 splash resistant clear lens**** <i>Consult factory for more than one accessory per fixture</i>

Ordering Example: KU-APL-80-DR-FL-27-20-98-WHT-D2-PN-44

All Aplis 80 products are rated for indoor use only, in either a dry or damp location, unless using an IP44 rated louver. In case of IP44 rated louver, fixture may be installed in certain wet locations. Contact factory for more information.

\*Lumen Package designates module lumens. Light Direction, CCT, and Optional Accessories will all impact light output. Please see IES files for delivered lumens.

\*\* Consult factory for custom RAL finish color options.

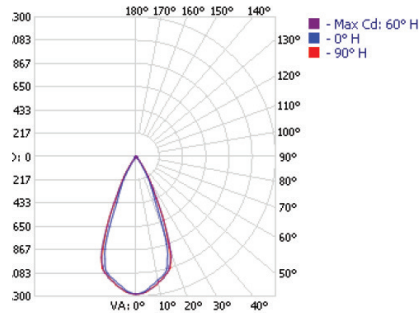
\*\*\* Only suitable for installation in accessible ceilings (i.e. ACT, grid). Can not be used for closed ceilings.

\*\*\*\* IP44 rating option protects against splashing water. Choose this accessory for glass lens between beveled louver and reflector.

## Photometry — For full photometry, please reference IES files on [www.kreon.com](http://www.kreon.com)

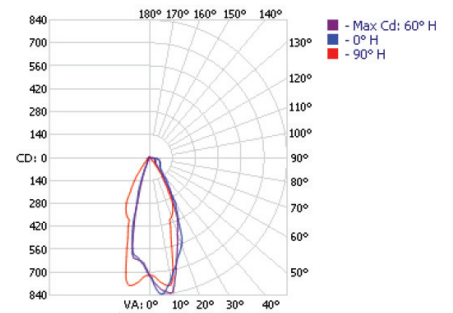
**KUAPL-80-DR-NR-27-13-80**  
(no accessories)

Light Engine: 1300 lumens  
 CCT: 2700K  
 CRI: 80+  
 Power: 13W  
 Luminaire Output:  
 910 lumens (70 lm/W)



**KUAPL-80-WW-NR-27-13-80**  
(no accessories)

Light Engine: 1300 lumens  
 CCT: 2700K  
 CRI: 80+  
 Power: 13W  
 Luminaire Output:  
 585 lumens (45 lm/W)



### Color Rendering Index (3000K Typical), 80+ CRI

Ra	R1	R2	R3	R4	R5	R6	R7	R8	R9	R10	R11	R12	R13	R14	R15	
Standard Series	83	82	89	95	84	82	87	86	65	16	64	79	58	81	93	75

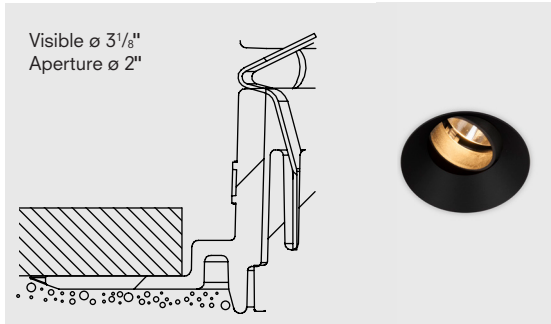
### Color Rendering Index (3000K Typical), 98+ CRI

Ra	R1	R2	R3	R4	R5	R6	R7	R8	R9	R10	R11	R12	R13	R14	R15
Artists Series	98	98	99	98	98	98	97	98	98	98	99	98	88	98	98

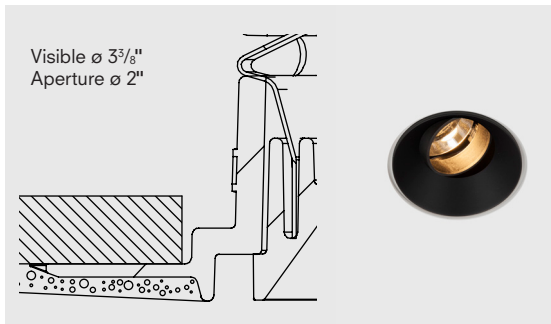


Aplis luminaires are ETL listed for dry and damp locations. Aplis luminaires lend support for LEED credits and certification.

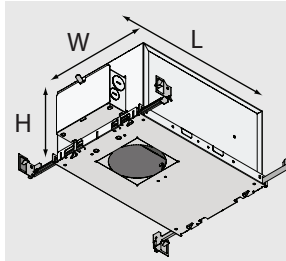
## Mounting/Installation



**Aplis 80 in-line installation (trimless, no shadow gap)**

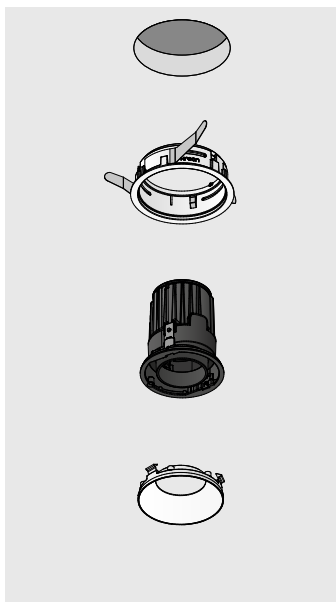


**Aplis 80 in-line installation with shadow gap**

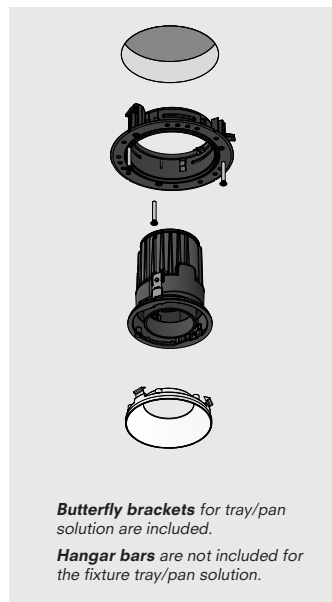


Directional Modules	L	W*	H
Non-IC	14 5/8"	8 5/8"	6 3/4"
IC	14 5/8"	8 5/8"	6 3/4"
Airtight IC	13 3/4"	8 1/2"	6 3/4"
CCEA (Chicago Plenum)	13 3/4"	8 1/2"	6 3/4"
Fixed Modules	L	W*	H
Non-IC	14 5/8"	8 5/8"	6 3/4"
IC	13 3/4"	8 1/2"	4 3/4"
Airtight IC	13 3/4"	8 1/2"	4 3/4"
CCEA (Chicago Plenum)	13 3/4"	8 1/2"	4 3/4"
Shallow	13 3/4"	8 1/2"	4 3/4"
Pan Versions	L	W*	H
Directional/fixed (SO) pan assembly	14"	6 3/4"	5 1/2"
Fixed (HO) pan assembly	15"	7 3/4"	7 1/2"
Butterfly brackets and hanger bars are included.			
Remodel Housing Cavity Requirements (Pan Versions)	L	W*	H
Directional Remodel**	14"	6 3/4"	5 1/2"
Fixed Remodel (SO)**	15"	7 3/4"	5"
Fixed Remodel (HO)**	15"	7 3/4"	7 1/2"
Butterfly brackets and hanger bars are included.			
* Width does not include butterfly brackets (if needed)			
**Includes ceiling thickness. Not IC rated			

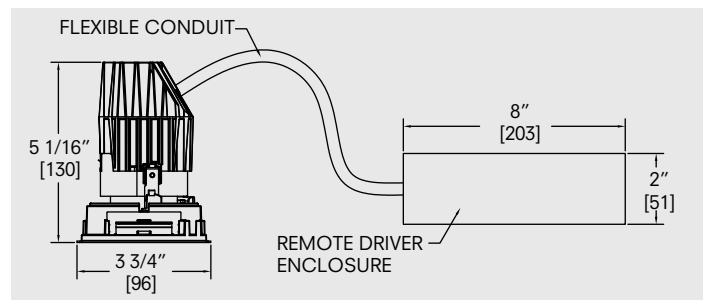
**Aplis 80 backbox dimensions**



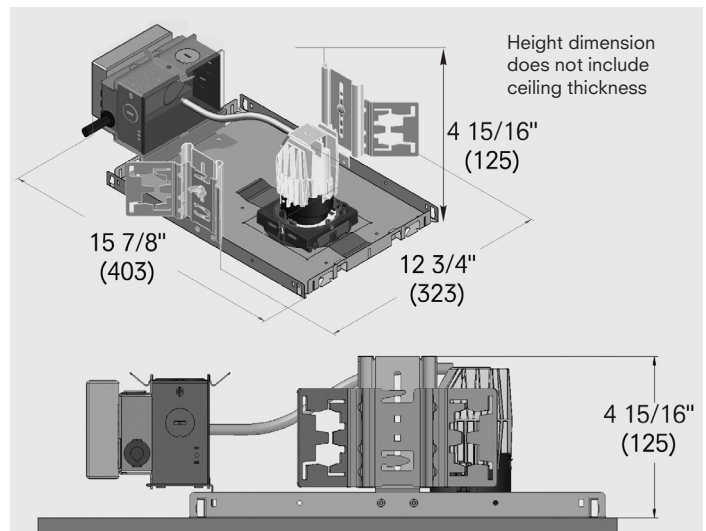
**Schematic representation of assembly Aplis 80**



**Schematic representation of assembly Aplis 80 in-line**



**Aplis 80 LED retrofit**



**PN – non-IC fixture tray/pan**



**Aplis 80 in-line Gun Black Louver**



**Aplis 80 Red Satin Copper Louver**



Aplis luminaires are ETL listed for dry and damp locations. Aplis luminaires lend support for LEED credits and certification.