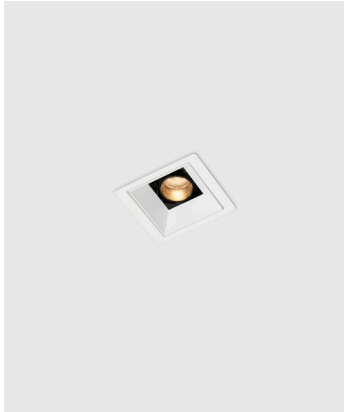


Date: _____ Customer: _____

Project: _____

Type: _____ Qty: _____



Down is designed for recessed use and is characterized by the deeper position of the light source in relation to the ceiling level. Down provides the feeling of light without the sight of light. For new construction installation, each luminaire has a choice of required and optional accessories that can be chosen depending on your project. Down is a square recessed spotlight system, able to respond to the highest qualitative and functional requirements of architectural lighting design.

Down 40 features a square aperture with flange, or in-Line for trimless install in drywall, and can be rotated up to 360° and tilted by 30° without compromising the recessed position of the lamp or the glare control. The luminaire can aim both at vertical and horizontal surfaces. Down 40 is equipped with a filter holder and anti-glare snoot.

Down 40 is also available in a Wall-Wash optic for wide and even wall illumination.

Down 40 is standard with 0-10V dimming (other dimming options available).

Construction

Luminaire

Made from zamak die cast aluminum alloy.

Finishes

- White (RAL 9016)
- Black (RAL 9004)
- RAL color finish upon request

Mounting Options

Recess mounting in drywall or wood.

Classifications

All Down 40 products are rated for indoor use only, in either a dry or damp location unless using an IP44 rated louver. In case of IP44 rated louver, fixture may be installed in certain wet locations. Contact factory for more information.

Electrical Characteristics

LED Specification

Cree LED.

LED Life

L80 greater than 50,000 hours.

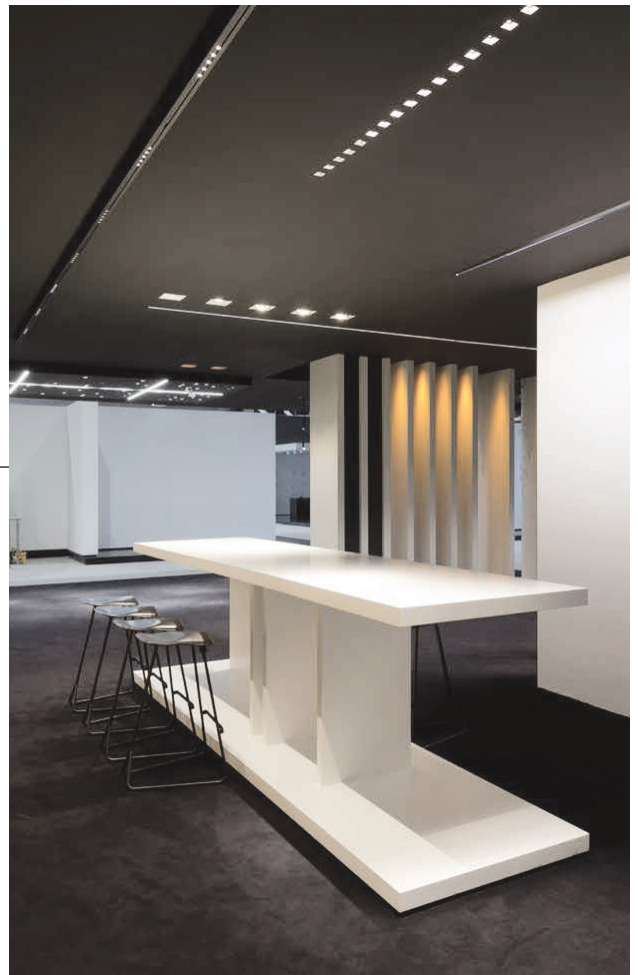
Correlated Color

Temperature (CCT)

- Available in 2700K, 3000K, 3500K and 4000K.
- CRI 80+, 95+.

Gear

Remote driver with standard option of 0-10V (120-277V) or TRIAC phase dimming (120V only). Other dimming options available.



Down 40 – Recessed Downlight 1.5" Aperture (Square)



Ordering Codes

KU	40									
KREON DOWN 40	APERTURE SIZE	LIGHT DIRECTION	BEAM ANGLE	LIGHT SOURCE AND CCT	LUMEN PACKAGE*	CRI	TRIM/LOUVER COLOR**	DIMMING	BACKBOX OPTIONS***	OPTIONAL ACCESSORIES (BLANK FOR NONE)
DWN – For flanged install in drywall or plaster ceiling DWNIL (in-Line) – For trimless/flangeless install in drywall or plaster ceiling	40 mm ~2" including flange ~1.5" in-Line	FX – Fixed DR – Adjustable 30° (not available in 500 lumen module)	SP – Spot 10° (not available in 500 lumen module) NR – Narrow 24 deg FL – Flood 45 deg WW – Wall Wash (use FX for Light Direction, Not available in 500lm) ⁵	27 – 2700K 30 – 3000K 35 – 3500K (not available in 500 lumen module) 40 – 4000K	02 – 200 lumen, 3W (4W for high CRI) 05 – 500 lumen, 7W (420 lumen for high CRI) ⁵	80 – 80+ min CRI 95 – 95+ min CRI	WHT – White BLK – Black GRY – Grey (DWN only) RSC – Red Satin Copper (in-Line versions only) GBL – Gun Black (Brushed Alm Finish; in-Line versions only)	D2 – 0-10V dim (10%) D3-2W – Lutron Hi-Lume dim to 1% (2 wire forward phase, 120V) D3-3W – Lutron Hi-Lume dim to 1% (3 wire 120/277V) D3-ECO – Lutron Hi-Lume dim to 1% soft-on, fade-to-black (5 wire 120/277V) D4 – EldoLED dim to dark	RM9W – 9 W Phase dimming up to 4 fixtures RM12W – 12W, 0-10v dimming for 3-5 fixtures RM50W – 50W, 0-10V dimming for up to 24 fixtures RM100W – 100W, 0-10V dimming – up to 48 fixtures	44 – IP44 splash resistant lens (clear) ⁴ 44F – IP44 splash resistant lens (frosted) ⁴ (choose one of these options for lens between beveled louver and reflector)

Ordering Example: KU-DWN-40-DR-FL-35-02-80-BLK-D2-RM12

¹ Lumen package designates module lumen. Light direction, CCT, and optional accessories will all impact light output. Please see IES files for delivered lumen.

² Consult factory for custom RAL finish color options.

³ Maximum recommended distance from driver to fixture with 18AWG wiring is 50 feet.

⁴ IP44 rating option protects against splashing water.

⁵ Available as (FX) Fixed Only.

Photometry — For full photometry, please reference IES files on www.kreon.com

KUDWN-40-DR-NR-27-02-80 (no accessories)

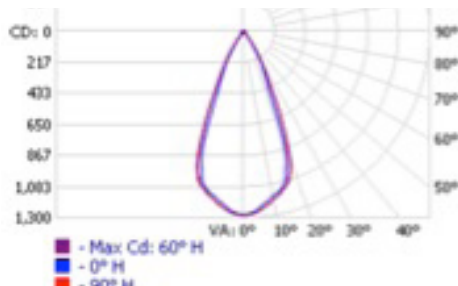
Light Engine: 200 lumens

CCT: 2700K

CRI: 80+

Power: 2W

Luminaire Output: 147 lumens (73 lm/W)



KUDWN-40-WW-NR-27-02-80 (no accessories)

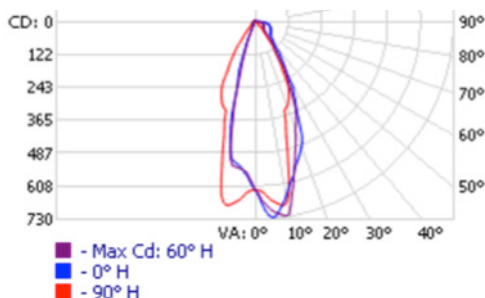
Light Engine: 200 lumens

CCT: 2700K

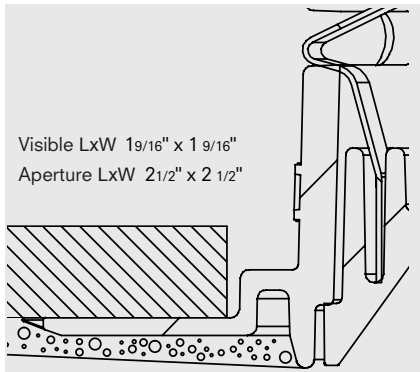
CRI: 80+

Power: 2W

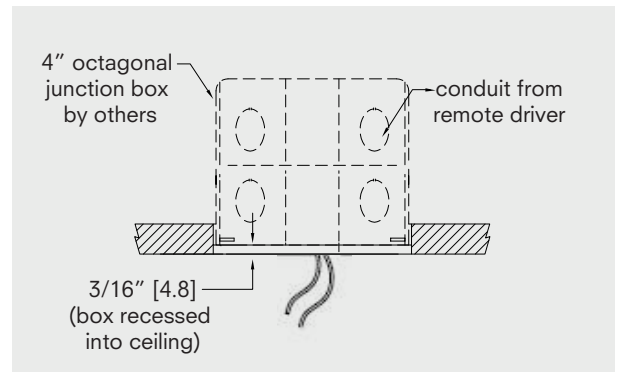
Luminaire Output: 112 lumens (56 lm/W)



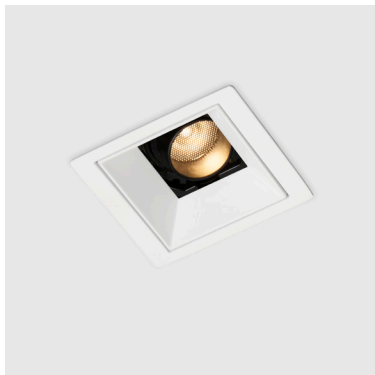
Mounting/Installation



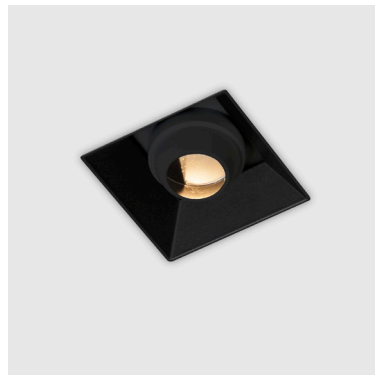
Down in-Line 40 Installation Finish Flush



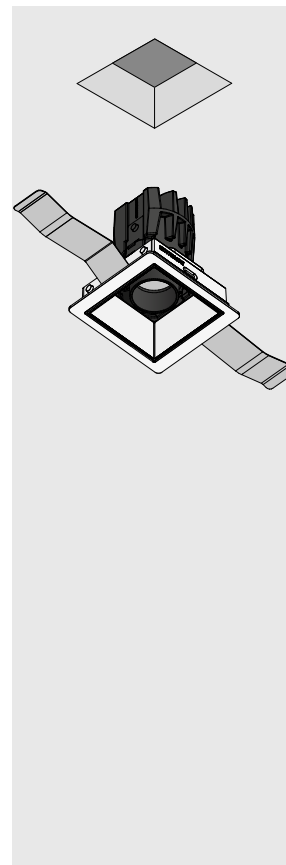
Remote Driver Wiring and Mounting



White Down 40 Directional

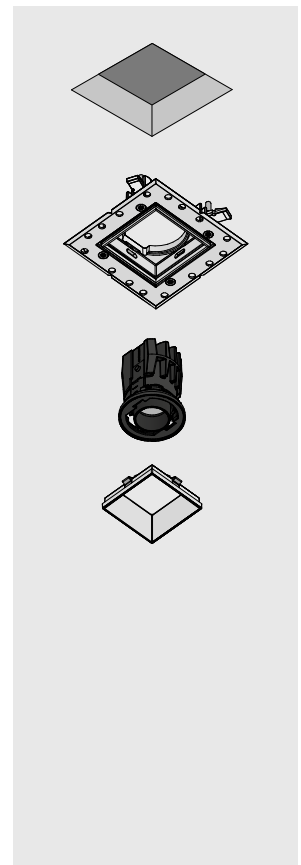


Black Down in-Line 40 Wallwasher, Flush

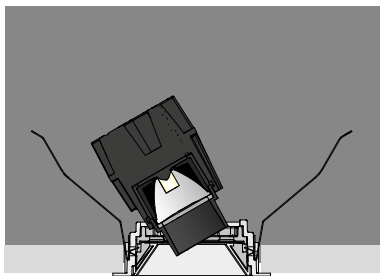


Construction

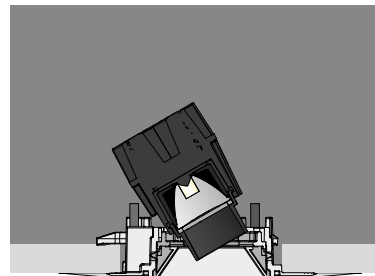
Schematic representation of assembly Down 40



Construction



Down 40



Down in-Line 40

Installation: The mounting with the use of springs ensures a quick and easy installation

