

Date: _____ Customer: _____

Project: _____

Type: _____ Qty: _____



Nuit is an elementarily designed beam that can be used as an elegant line to bring graphical elements into your architecture. The advanced LED system requires only a slim gap of $\frac{3}{8}$ " to unfold its light. Its basic form draws minimal attention and can easily be used in combination with other Kreon tools of light, creating an artistic yet responsible use of light sources.

The design of this unique linear system provides the opportunity to introduce sparkle as a lighting element into a space... Sparkle and the play of brilliant individual light sources stimulates the body and spirit through the optic nerve and charms the senses. It enhances the feeling of aliveness, alerts the mind, and awakens curiosity.¹

The light source in Nuit is a module that contains five or ten 1.4W LEDs with a standard color rendering of CRI 90+. The core of Nuit is a patented double focus lens optic developed in cooperation with Bartenbach Lichtlabor. This helps the luminaire to have exceptional glare control and a high efficiency with a lumen maintenance of L70 at 60,000 hours.

1. Richard Kelly, lighting design pioneer

Construction

Luminaire

Made from extruded aluminum.

Recessed Housing

Made from extruded aluminum.

Finishes

- White (RAL 9016)
- Black (RAL 9004)
- RAL color finish upon request

Mounting Options

- Recess mounted in drywall/ sheetrock or plaster with trimless spackle flange
- Surface mounted
- Pendant mounted with aircraft cable

Classifications

Nuit fixtures are ETL Listed for damp locations.
Nuit fixtures lend support for LEED credits and certification.

Electrical Characteristics

LED Specification

Philips Luxeon LED Series

LED Life

L70 greater than 60,000 hours.

Correlated Color Temperature (CCT)

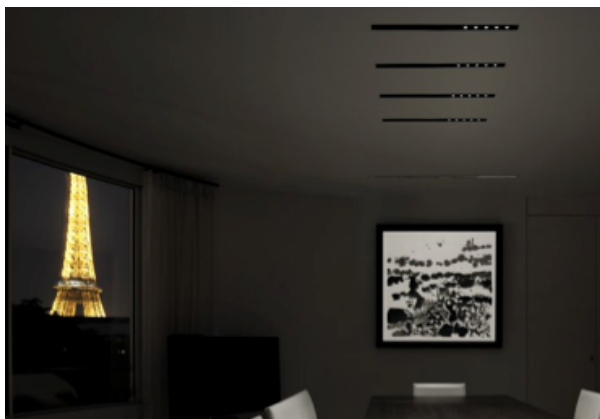
- Available in 2700K, 3000K, 3500K and 4000K.
- CRI 80+, 95+.

Gear

Standard 0-10V dimming, universal voltage (120-277V). For non-dimming applications, cap off dimming wires.

Optional smooth dim to dark with eldoLED SOLOdrive LED driver (specify 0-10V or DALI control possible) (120-277V).

Driver is integral to fixture in most configurations. If light modules are run continuously, driver may be required to be remote. Consult factory for additional information.



Nuit – 1¾" Wide Aperture

Individual or Continuous Linear Recessed, Surface, or Pendant Mounted System



Ordering Codes and Options

KUNUIT	___ -	___ -	___ -	___ -	___ -	___ -	90 -	___ -	___ -	___ x 5 -	___ x 10 -
KREON NUIT LINEAR SYSTEM	MOUNTING (SEE P. 3 FOR MORE INFO)	CEILING TYPE (SEE PAGE 3 FOR MORE INFO)	OUTER CHANNEL FINISH COLOR*	INNER REVEAL FINISH COLOR*	CHANNEL LENGTH (IN)	LIGHT SOURCE CCT	CRI	LIGHT DIRECTION	DIMMING**	QUANTITY OF 1x5 SPOT LED MODULES IN RUN	QUANTITY OF 1x10 SPOT LED MODULES IN RUN
	RN – Recessed, trimless RF – Recessed w/flange RNCP – Recess, trimless, Chicago Plenum RNFP – Recess, w/flange, Chicago Plenum SF – Surface PE – Pendant	DW – Drywall/sheetrock (3/8" to 1" thickness)**** SL – Slot grid or T-Grid w/tegrular ACT FL – T-Grid w/flat ACT tile OT – Other, please consult factory	1 – White 2 – Black	1 – White 2 – Black	Fill in total number of inches for channel run using three digits. Example: 10' run would be 120 for 120"	27 – 2700K 30 – 3000K 35 – 3500K 40 – 4000K CIR – Circadian Rhythm (2700K – 4000K)***	90 – 90+ min CRI	DW – Direct only UD – Up and Down (same switching) UDS – Up and Down (separate switching) UP – Indirect only	D2 – 0-10V dim to 10% (120V – 277V) D3 – Lutron Hi-Lume dim to 1% (consult factory for 2-wire, 3-wire, or digital control) D4 – EldoLED 0% dim to dark	Qty x 5 spot LED modules in this channel run Use "00" for none of this type. (req approx. 11" each)	Qty x 10 spot LED modules in this channel run Use "00" for none of this type. (req approx. 21" each)

Ordering Example: KUNUIT-RN-DW-2-2-0120-30-90-UD-D2-05x5-00x10

Please include rough description of module layout in channel for each type on fixture schedule. Layout confirmed via shop drawing upon order.

* Consult factory for custom RAL finish color options

** Depending on number of modules used, run length, and dimming option, driver may be required as remote. Factory to confirm via shop drawing upon order.

*** Circadian Rhythm option requires additional control system. Consult factory for details.

**** Adjustable mounting bracket accommodates drywall/sheetrock/plaster ceiling between 3/8" and 1" thickness.

Photometry — For full photometry, please reference IES files on www.kreon.com

Per each 1x5 LED module (approx. 11")

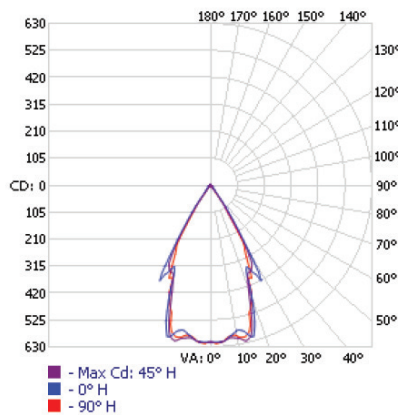
Light Engine:
630 source lumens

CCT: 3000K

CRI: 90+

Power: 7W

Luminaire Output:
466 delivered Lumens



Per each 1x10 LED module (approx. 21")

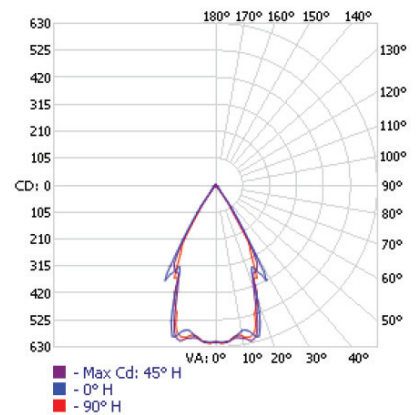
Light Engine:
1260 source Lumens

CCT: 3000K

CRI: 90+

Power: 14W

Luminaire Output:
930 delivered Lumens



Note: Indirect lighting element has 600 source lumens/ft.



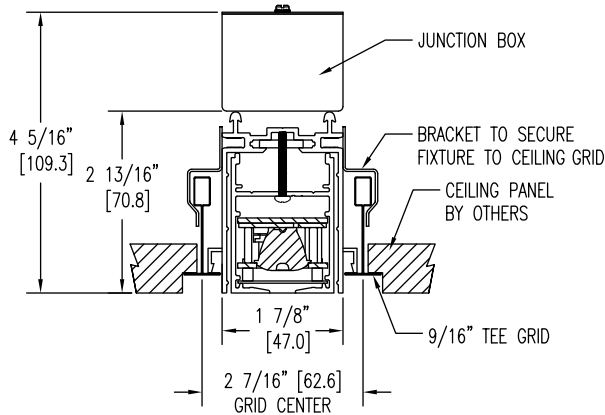
Nuit fixtures are ETL Listed for damp locations.
Nuit fixtures lend support for LEED credits and certification.

Nuit – 1 3/4" Wide Aperture

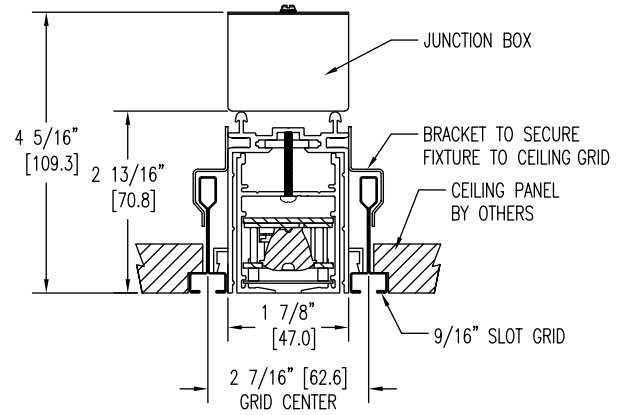
Individual or Continuous Linear Recessed, Surface, or Pendant Mounted System



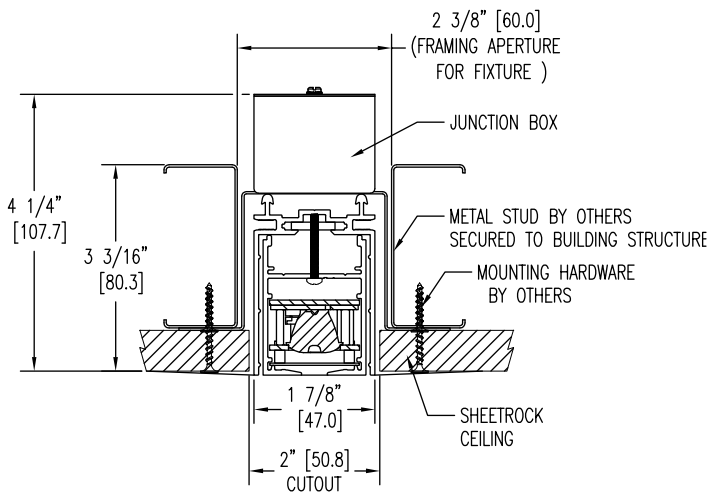
Mounting Options



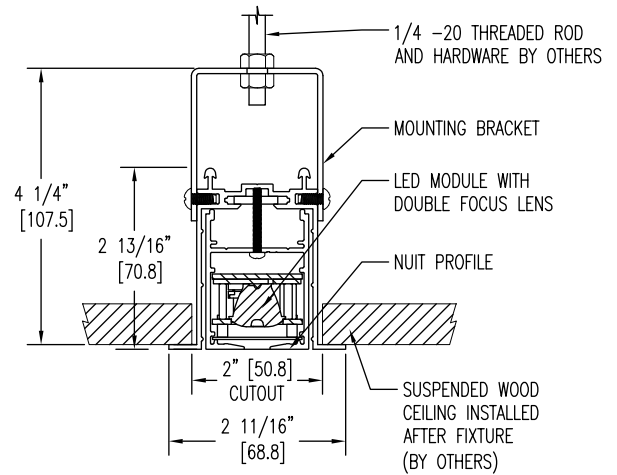
9/16" TEE GRID



9/16" SLOT GRID



SHEETROCK CEILING



FLANGE INSTALLATION

Consult factory for reduced plenum requirement mounting of 3 1/2".

Light modules installed in factory and not intended to be adjusted in the field. Factory will provide shop drawing before order release.

For configurations with integral drivers, D2 dimming option requires one driver @ 6" long per each 10 total spots (two 1x5 modules OR one 1x10 module). D3 dimming requires one driver @ 15" long per each 15 total spots. D4 dimming requires one driver @ 18" long per each 30 total spots.



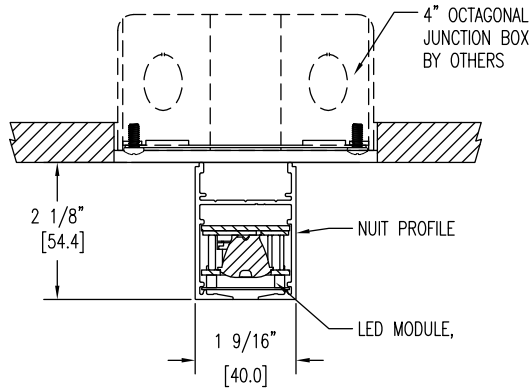
Nait fixtures are ETL Listed for damp locations.
Nait fixtures lend support for LEED credits and certification.

Nuit – 1 3/4" Wide Aperture

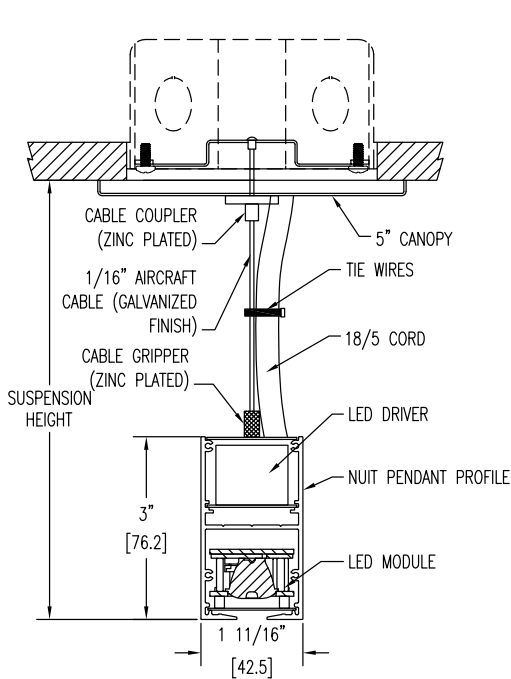
Individual or Continuous Linear Recessed, Surface, or Pendant Mounted System



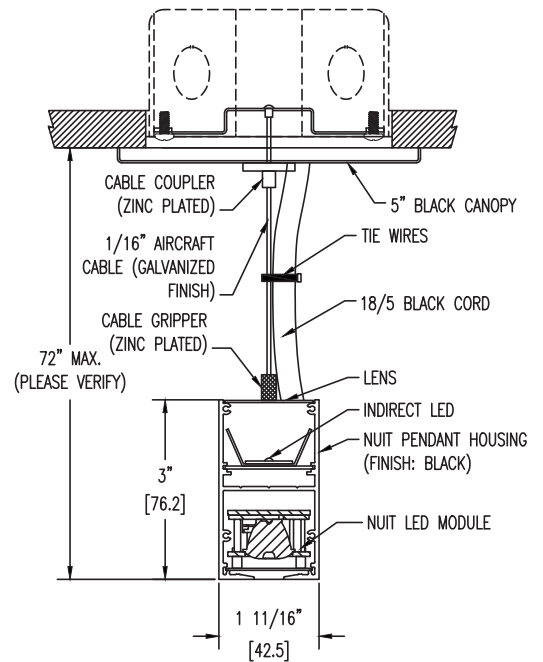
Mounting Options (Continued)



SURFACE MOUNTED INSTALLATION



PENDANT INSTALLATION



DIRECT / INDIRECT PENDANT INSTALLATION

Consult factory for reduced plenum requirement mounting of 3 1/2".

Light modules installed in factory and not intended to be adjusted in the field. Factory will provide shop drawing before order release.

For configurations with integral drivers, D2 dimming option requires one driver @ 6" long per each 10 total spots (two 1x5 modules OR one 1x10 module). D3 dimming requires one driver @ 15" long per each 15 total spots. D4 dimming requires one driver @ 18" long per each 30 total spots.



Nuit fixtures are ETL Listed for damp locations.
Nuit fixtures lend support for LEED credits and certification.