

Rei – Linear Profile

Continuous Linear Recessed, Surface, or Pendant Mounted (Wallwash or Downlight)

kreon

Date: _____ Customer: _____

Project: _____

Type: _____ Qty: _____



Rei treats the illuminated surface to a smooth, homogeneous silent glow of light that enhances the structure and spatial importance of the surface itself.

Wallwash light is often used by lighting designers to contribute to the aesthetic appearance of the room, to exalt volumes, to define walls or maximize the attention to exposed products with a soft glow. Rei, a made-to-measure, slim, recessed- or surface or pendant mounted profile system will safeguard the aesthetic appearance of the interior as well as the functional demands from its inhabitants.

Rei linear system is available as a symmetrical linear downlight with a 55° distribution, or as an asymmetrical wall wash.

Construction

Luminaire

Made from extruded aluminum.

Recessed Housing

Made from extruded aluminum.

Finishes

- White (RAL 9016)
- Black (RAL 9004)
- RAL color finish upon request

Mounting Options

- Recess mounted in drywall/ sheetrock or plaster with trimless spackle flange
- Surface mounted
- Pendant mounted with aircraft cable

Classifications

Rei fixtures are ETL Listed for damp locations.
Rei fixtures lend support for LEED credits and certification.

Electrical Characteristics

LED Specification

Citizen LED

LED Life

L70 greater than 60,000 hours.

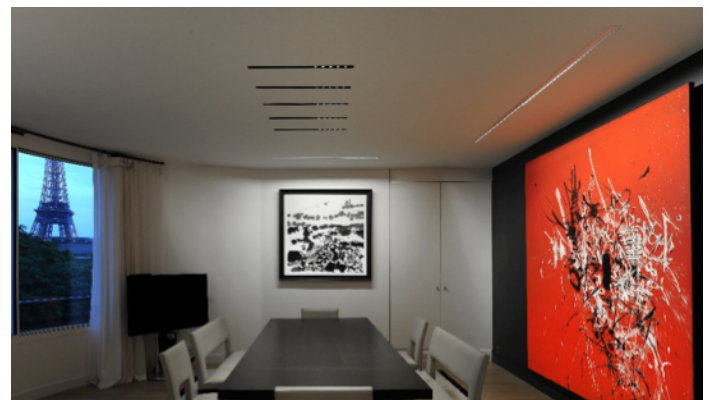
Correlated Color Temperature (CCT)

- Available in 2700K, 3000K, 3500K and 4000K.
- CRI 80+, 95+.

Gear

Standard smooth dim to dark with eldoLED SOLOdrive LED driver with 0-10V (consult factory to request DALI control) (120-277V).

Driver is integral to fixture.



Rei – Linear Profile

Continuous Linear Recessed, Surface, or Pendant Mounted (Wallwash or Downlight)



Ordering Codes and Options

KUREI _____ -	_____ -	_____ -	_____ -	_____ -	_____ -	_____ -	_____ -	_____ -
KREON REI LINEAR SYSTEM	MOUNTING	CEILING TYPE	CHANNEL FINISH COLOR*	REFLECTOR SURFACE FINISH	CHANNEL LENGTH (IN)**	LIGHT SOURCE CCT	CRI	DIMMING
DN – Symmetrical Downlight WW – Asymmetrical Wall Wash	RN – Recessed trimless RF – Recessed w/flange SF – Surface PE – Pendant (aircraft cable up to 4')	DW – Drywall/ sheetrock (3/8" to 1" thickness)*** SL – Slot grid or T-Grid w/ tegular ACT FL – T-Grid w/ flat ACT tile OT – Other, please consult factory	1 – White 2 – Black	SP – Specular (only avail. for WW) MA – Matte natural aluminum (silver/gray) WH – White matte finish	Fill in total number of inches for channel run using three digits. For example: 10' run would be 120 for 120".	27 – 2700K 30 – 3000K 35 – 3500K (Not available in 95+ CRI) 40 – 4000K	80 – 80+ min CRI 95 – 95+ min CRI	D2 – 0-10V dim to 10% (120 to 277V) D3 – Lutron Hi-Lume dim to 1% (consult factory for 2-wire, 3-wire, or digital control) (120 to 277V) D4 – EldoLED 0% dim to dark (standard 0-10V control. Consult factory for DALI control) (120 to 277V)

Ordering Example: KUREI-WW-RN-DW-1-SP-048-30-80-D4

Ordering Example: KUREIWW-RN-DW-1-SP-048-30-80-D4

* Consult factory for custom RAL finish color options

**Minimum length is approx. 14" with D2 dim, or 20" with D4 dimming option. Available in approx. 3" increments. Consult factory for exact lengths possible.

***Adjustable mounting bracket accommodates drywall/sheetrock/plaster ceiling between 3/8" and 1" thickness

Photometry — For full photometry, please reference IES files on www.kreon.com

KUREIWW-RC-DW-1-SP-024-30-90-D4 (per foot, wallwash)

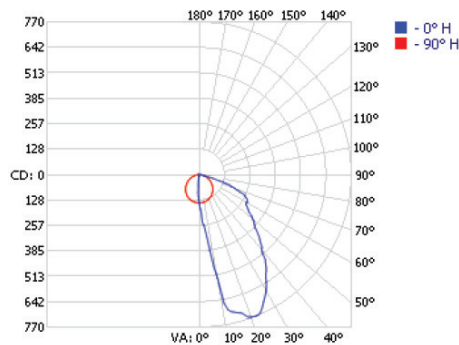
Light Engine: 1040 lumens

CCT: 3000K

CRI: 80+

Power: 8W

Luminaire Output: 425 lumens/ft



KUREIDN-RC-DW-1-MA-024-30-90-D4 (per foot, symmetrical)

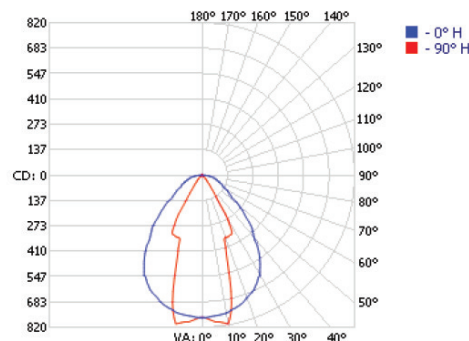
Light Engine: 1202 lumens

CCT: 3000K

CRI: 80+

Power: 8W

Luminaire Output: 585 lumens/ft

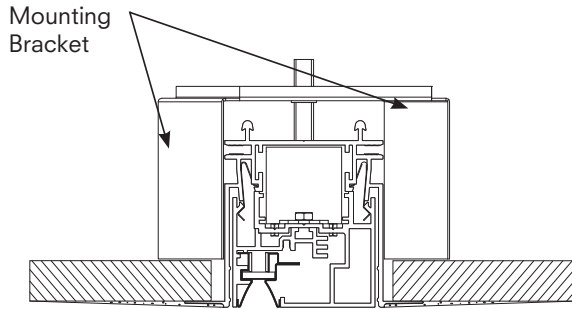


Rei – Linear Profile

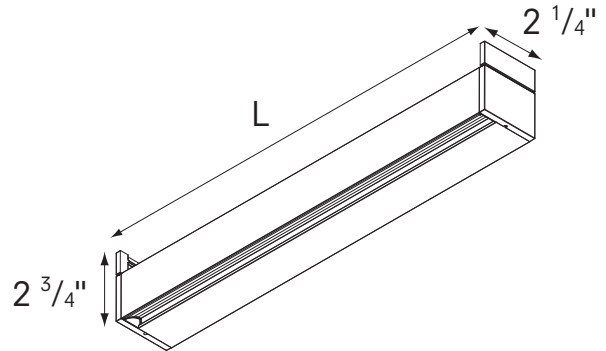
Continuous Linear Recessed, Surface, or Pendant Mounted (Wallwash or Downlight)

kreon

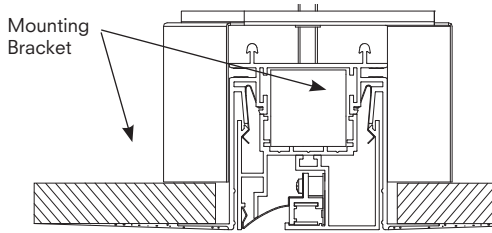
Mounting/Installation



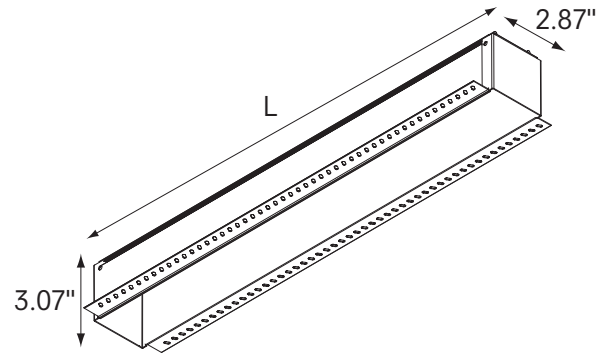
DOWNLIGHT RECESSED MOUNTED (DRYWALL)



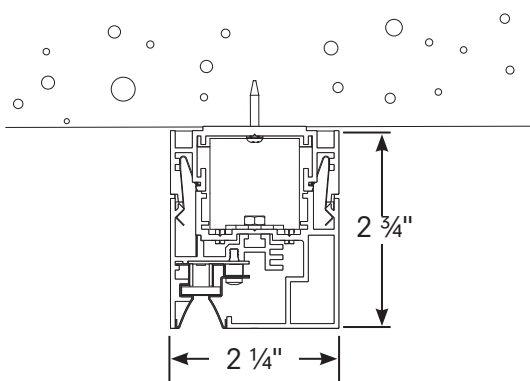
RECESSED MOUNTED



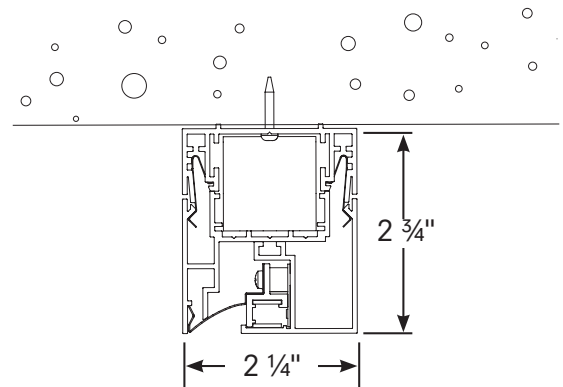
WALLWASHER RECESSED MOUNTED (DRYWALL)



TRIMLESS RECESSED



DOWNLIGHT SURFACE MOUNTED



WALLWASHER SURFACE MOUNTED



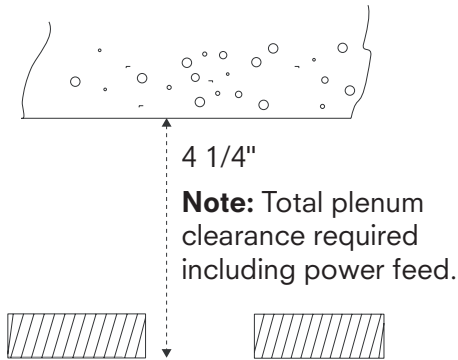
Rei fixtures are ETL Listed for damp locations.
Rei fixtures lend support for LEED credits and certification.

Rei – Linear Profile

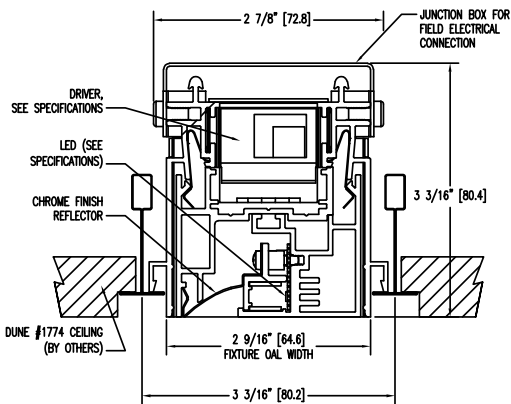
Continuous Linear Recessed, Surface, or Pendant Mounted (Wallwash or Downlight)



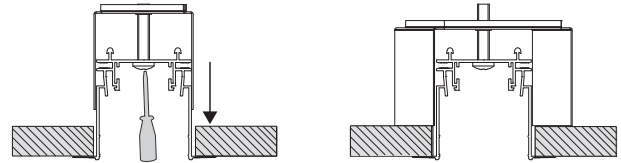
Mounting/Installation



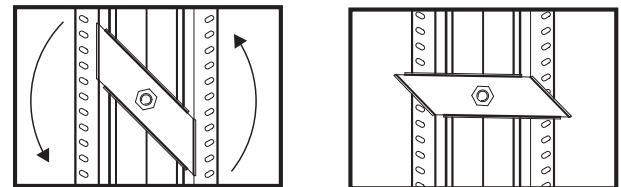
MOUNTING BRACKET OPEN



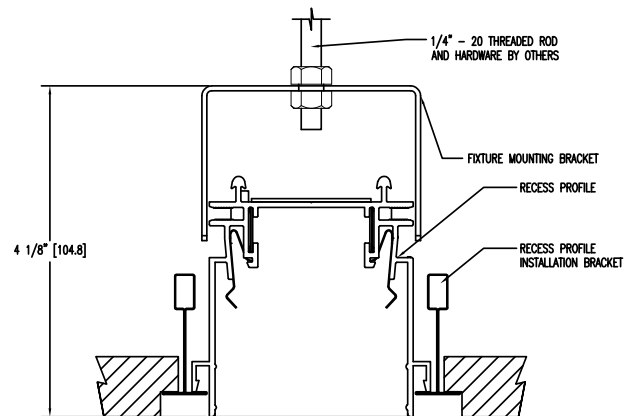
SECTION VIEW:



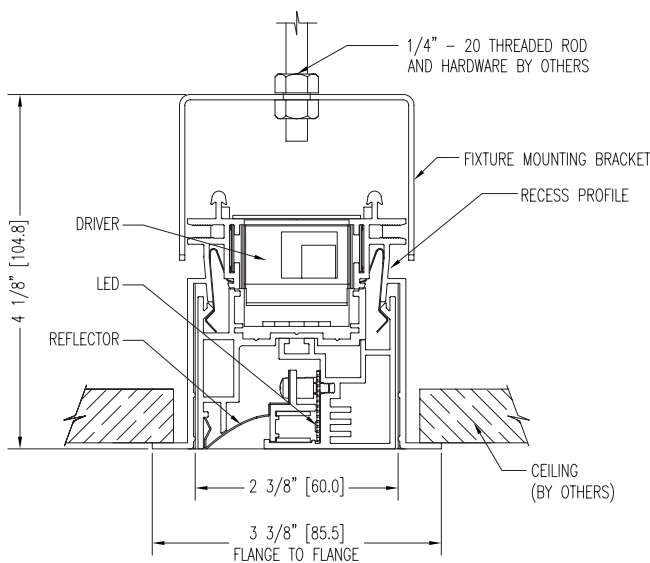
TOP VIEW:



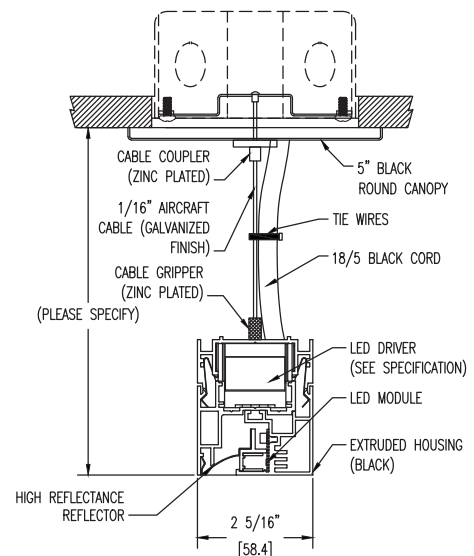
TRIMLESS RECESSED



REI RECESSED IN 9/16" SLOT GRID CEILING



OVERLAP FLANGE



PENDANT MOUNTING



Rei fixtures are ETL Listed for damp locations.
Rei fixtures lend support for LEED credits and certification.