

Date: _____ Customer: _____

Project: _____

Type: _____ Qty: _____



Side's concept is highly flexible and can be used as floor washlight, wallwasher or as an indirect light fitting. Placed at low heights, Side is a tool to illuminate circulation paths. Side can be installed on the ceiling and have a wallwash function. Moreover, Side can also be placed on the wall above the eye height and wallwash the ceiling, generating indirect ambient lighting. Installation boxes and plasterkits are available for the application of this product in various surfaces. The visible trim can be delivered in a silver or white finish powder coating.

Side and Square Side are recessed fixtures for walls or ceilings. They can be installed in brickwork or cavity walls and require only 100mm depth. Control gears, transformer or electronic components are mounted inside the housing. Reflector is included.

Construction

Luminaire

Made from sheet steel electrostatically treated and powder coated.

Finishes

- White (RAL 9016)
- Grey (RAL 9006)

Mounting Options

Recess mounting in drywall/sheetrock or plaster with trimless spackle flange

Classifications

- Ingress Protection – IP40

Electrical Characteristics

LED Specification

Xicato Zhaga compliant LED module with Corrected Cold Phosphor Technology® (remote phosphor to limit color shift over time. Tight color consistency within 1x2 MacAdam Ellipses).

LED Life

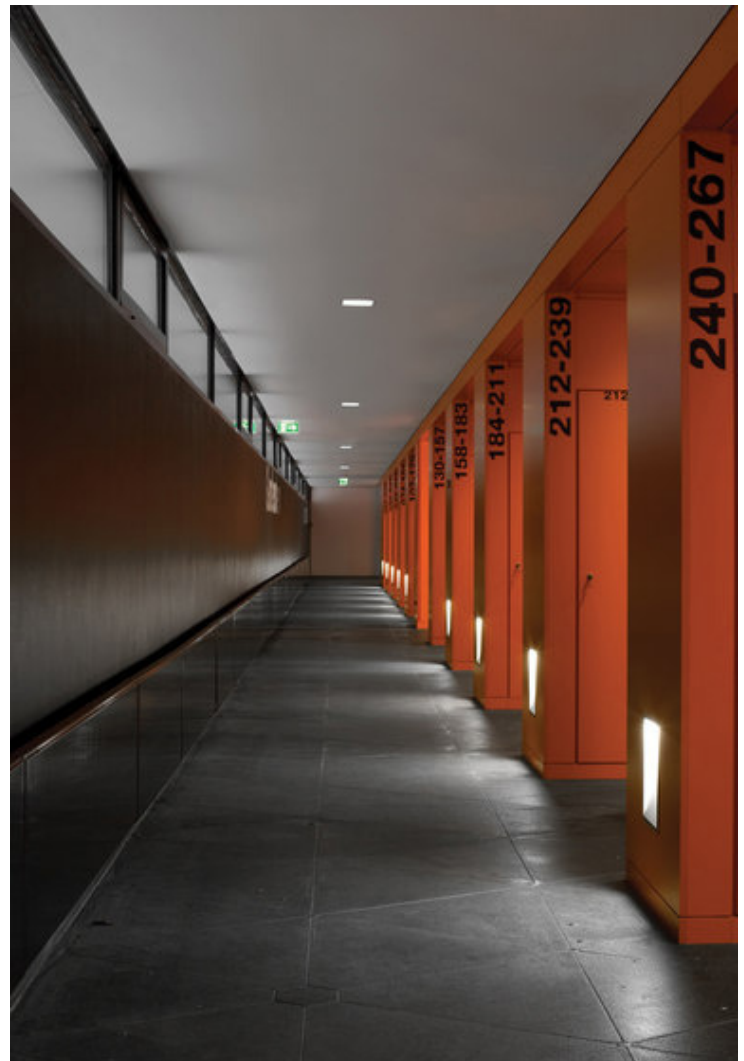
L80 greater than 50,000 hours.

Correlated Color Temperature (CCT)

- Available in 2700K.
- CRI 85+

Gear

Standard 120V driver with on/off function (no dimming). Consult factory for TRIAC phase dim or 0-10V dim.



Ordering Codes

KU__ -	__ -	__ -	85 -	__ -
KREON SIDE	INSTALLATION MATERIAL	LIGHT SOURCE AND CCT*	CRI	FINISH COLOR**
S – Rectangular aperture with flange SIL (In-Line) – Rectangular trimless/flangeless installation SQ – Square aperture with flange SQIL (In-Line) – Square trimless/flangeless installation	DW – Drywall/ sheetrock (or plaster) WO – Wood CB – Concrete or Brick and Mortar (requires Installation box)	27 – 2700K	85 – 85+ min CRI	WHT – White GRY – Grey
Ordering Example: KUSIL-27-85-WHT-IB				
** Consult factory for other options				
* Consult factory for custom RAL finish color options for flange. Reflector is always matte silver/gray.				

Photometry — For full photometry, please reference IES files on www.kreon.com

KUS-27-85-GRY (no accessories) Side

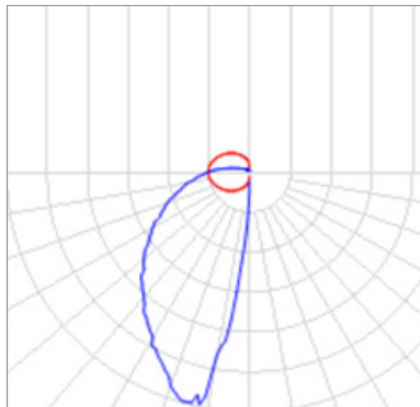
Light Engine: 1335 lumens

CCT: 2700K

CRI: 85+

Power: 18W

Luminaire Output: 596 lumens (33 lm/W)



KUSQ-27-85-WHT (no accessories) Square Side

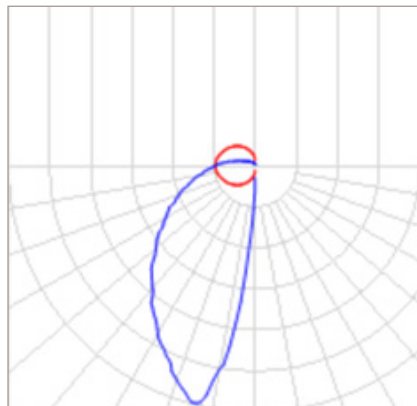
Light Engine: 1780 lumens

CCT: 2700K

CRI: 85+

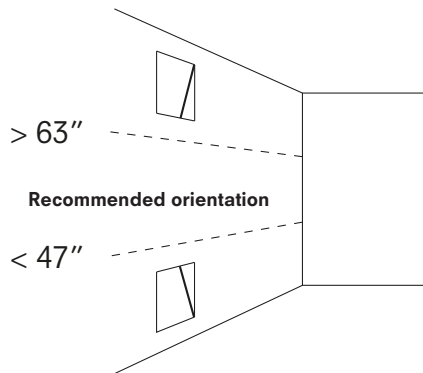
Power: 24W

Luminaire Output: 712 lumens (30 lm/W)



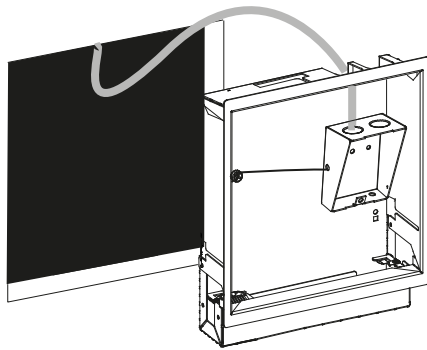
Side luminaires are ETL listed for dry and damp locations.
Side luminaires lend support for LEED credits and certification.

Mounting/Installation

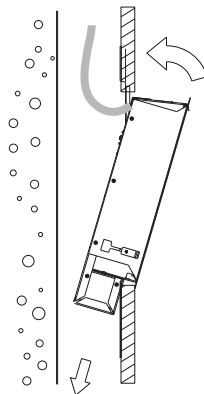


Kreon recommends to install the luminaire as follows:

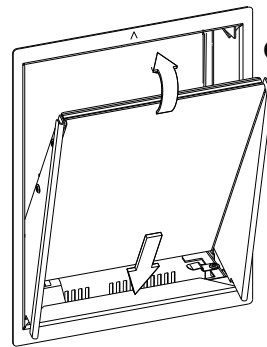
- Install Side higher than 63" for uplight.
- Install Side lower than 47" for downlight.
- Thickness of boardmaterial: 1/3" - 4/5"



Lead supply wire in luminaire, remove the knock-out and make connection in j-box

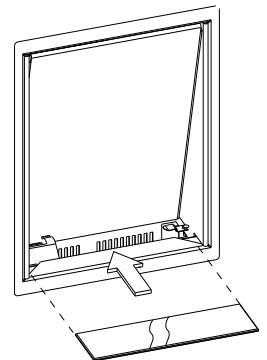


Insert housing into wall



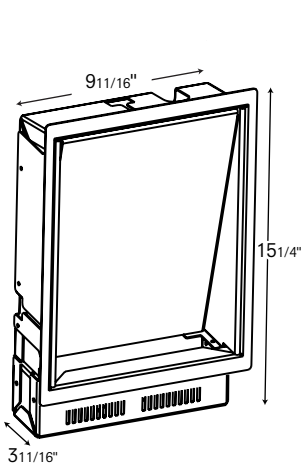
Insert the reflector, underside first — use plastic gloves

CLICK!

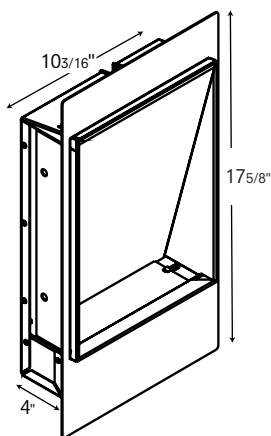


Insert glass underneath springs

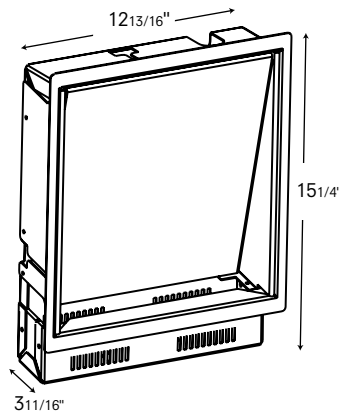
Dimensions



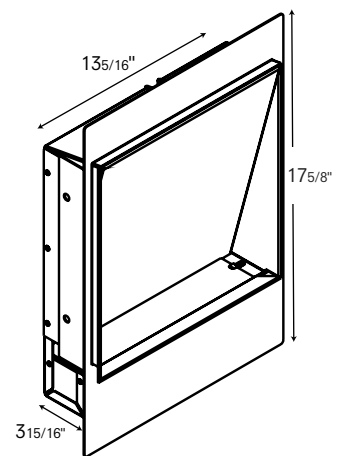
Side



Side In-Line



Square Side



Square Side In-Line



Side luminaires are ETL listed for dry and damp locations.
Side luminaires lend support for LEED credits and certification.