



EVHCR2 Series

High Lumen LED Remote

Catalog Number	
Comments	Type

FEATURES

The EVR LED remote offers compact architectural design which matches the EV LED unit in size and performance. The use of a EVR2 remote doubles the multiple unit spacing, cuts down on AC wiring requirements and can be installed up to 50' from the EV unit. The EVR LED remote accepts DC input from an EV emergency light or EVC-D4 combo with remote capacity. The EVR2 is illuminated by 2 LED lamp-heads which are fully adjustable. The housing is made of UV stable thermoplastic with a light texture. The EVR matches the EV unit and EVC combo in color and texture. Available in White or Black finish. The EVR remote can be wall or ceiling mounted by use of a molded-in template and wired through the back-plate or conduit entry.

Input Power Consumption

18Vdc at 6 watts(3 watts per head) provided exclusively from the EVHC12 emergency light with remote capacity

Specific LED Information

Lamp Color: Cool White
 Total Lamp Output: 326 lumens per lamp
 Rated LED Lamp-life: Greater than 100,000 hours

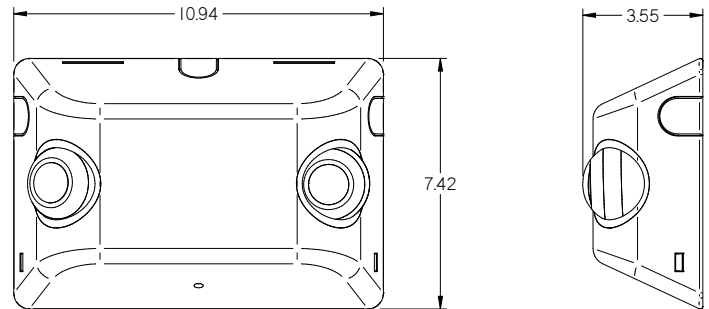
Warranty

LED Lifetime Warranty



Caution: The EVR2 remote can only accept input power from the EV4D or EVC-D4 with remote capacity. The EVR2 will not work with any other emergency units.

DIMENSIONS



ORDERING GUIDE

EVHCR2

Model

Replacement lamp part numbers and photometrics are available on the web at www.dual-lite.com.