

# LLF20-LED-KIT

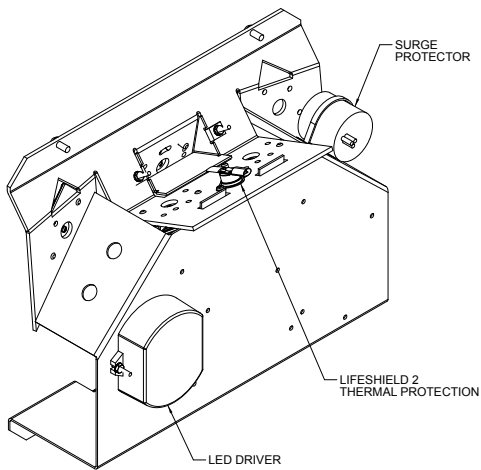
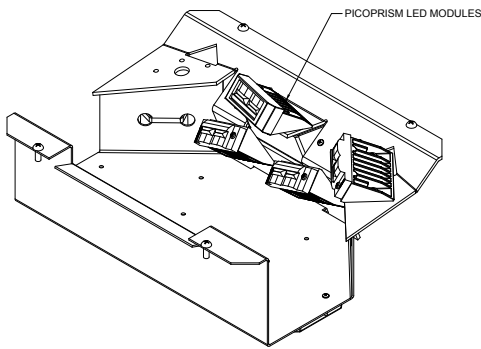
LOW LEVEL FLOODLIGHT; DIRECT LENS, ASYMMETRIC RIGHT DOWNWARD

**Type:**  
**Job:**  
**Catalog number:**

**Approvals:**

|                           |                   |            |
|---------------------------|-------------------|------------|
| <b>LLF20-LED-KITP35 /</b> |                   |            |
| Fixture                   | Electrical Module | Options    |
|                           | See page 2        | See page 2 |

## Specifications



**Electronic Module:** All electrical components are UL and CSA recognized, mounted on a single plate and factory prewired with quick-disconnect plugs. Module includes a driver, thermal control device and surge protector. Electrical and optical modules attaches to housing with stainless steel hardware. Driver is rated for -40°F starting and has a 0-10V dimming interface with a dimming range of 10-100%. Note: Not compatible with current sourcing dimmers. Controls compatible via Pink and Purple dimming lead.

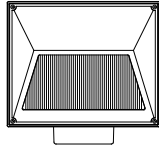
**Optical Module:** Each precision, replaceable PicoPrism is positioned to achieve directional control toward desired task. The entire optical system fastens to the housing as a one-piece module.

**Caution:** Fixtures must be grounded in accordance with national, state and/or local electrical codes. Failure to do so may result in serious personal injury.

KIM LIGHTING RESERVES THE RIGHT TO CHANGE SPECIFICATIONS WITHOUT NOTICE.


# LLF20-LED-KIT

LOW LEVEL FLOODLIGHT; DIRECT LENS, ASYMMETRIC RIGHT DOWNWARD



## Standard Features

### LLF-LED-KIT20P35

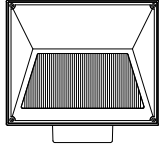
| <p><b>Electrical Module</b></p>       | <table border="1"> <thead> <tr> <th>Fixture</th> <th>Source</th> </tr> </thead> <tbody> <tr> <td>  <b>16L2KUV</b><sup>1</sup></td> <td>17W 16 LEDs, 580nm - Amber color temperature</td> </tr> <tr> <td>  <b>16L3KUV</b><sup>1</sup></td> <td>17W 16 LEDs, 3000K color temperature</td> </tr> <tr> <td>  <b>16L4KUV</b><sup>1</sup></td> <td>17W 16 LEDs, 4200K color temperature</td> </tr> <tr> <td>  <b>16L5KUV</b><sup>1</sup></td> <td>17W 16 LEDs, 5100K color temperature</td> </tr> </tbody> </table> <p><sup>2</sup>UV = Universal Voltage from 120 to 277V with a ± 10% tolerance.</p> | Fixture | Source | <b>16L2KUV</b> <sup>1</sup> | 17W 16 LEDs, 580nm - Amber color temperature | <b>16L3KUV</b> <sup>1</sup> | 17W 16 LEDs, 3000K color temperature | <b>16L4KUV</b> <sup>1</sup> | 17W 16 LEDs, 4200K color temperature | <b>16L5KUV</b> <sup>1</sup> | 17W 16 LEDs, 5100K color temperature |
|---------------------------------------|--|---------|--------|-----------------------------|--|-----------------------------|--------------------------------------|-----------------------------|--------------------------------------|-----------------------------|--------------------------------------|
| Fixture                               | Source   |         |        |                             |  |                             |                                      |                             |                                      |                             |                                      |
| <b>16L2KUV</b> <sup>1</sup>           | 17W 16 LEDs, 580nm - Amber color temperature   |         |        |                             |  |                             |                                      |                             |                                      |                             |                                      |
| <b>16L3KUV</b> <sup>1</sup>           | 17W 16 LEDs, 3000K color temperature   |         |        |                             |  |                             |                                      |                             |                                      |                             |                                      |
| <b>16L4KUV</b> <sup>1</sup>           | 17W 16 LEDs, 4200K color temperature   |         |        |                             |  |                             |                                      |                             |                                      |                             |                                      |
| <b>16L5KUV</b> <sup>1</sup>           | 17W 16 LEDs, 5100K color temperature   |         |        |                             |  |                             |                                      |                             |                                      |                             |                                      |
| <p><b>0-10V Dimming Interface</b></p> | <p>Driver has a 0-10V dimming interface with a dimming range of 10-100%. Is compatible with most control systems. Approved dimmers include Lutron Diva AVTV, Lutron Nova NFTV and NTFTV. Note: Not compatible with current sourcing dimmers. Controls compatible via Pink and Purple dimming lead.</p>   |         |        |                             |  |                             |                                      |                             |                                      |                             |                                      |

## Optional Features

|   |  |
|---|--|
| <p><b>Emergency Battery Back-Up:</b><br/>Cat. No.   <b>EM</b><br/>  <b>No Option</b></p>  | <p>EM – Internal battery pack provides 90 minutes of supplemental light at 41% of absolute lumens.</p>             |
| <p><b>Smart Control MicroWave:</b><br/>Cat. No.   <b>SC-MV</b><br/>  <b>No Option</b></p> | <p>SC-MV – Integrated controls for occupancy sensing with bi-level dimming. Time delay: 10 min., range of 5 m.</p> |

# LLF20-LED-KIT

LOW LEVEL FLOODLIGHT; DIRECT LENS, ASYMMETRIC RIGHT DOWNWARD



## Lumen Data

| Spectroradiometric             |               |               |               |
|--------------------------------|---------------|---------------|---------------|
|                                | 3000K Average | 4200K Average | 5100K Average |
| Correlated Color Temp. CCT (K) | 2800K-3175K   | 3800K-4600K   | 4600K-5600K   |
| Color Rendering Index (CRI)    | ≥75           | ≥70           | ≥65           |
| Power Factor                   | >0.90         | >0.90         | >0.90         |

| Projected Lumen Maintenance |            |             |
|-----------------------------|------------|-------------|
| mA                          | 50,000 hrs | 100,000 hrs |
| 350                         | 0.97       | 0.95        |

| Electrical Driver Current |       |      |
|---------------------------|-------|------|
| Maximum Watts             | Volts | Amps |
| 17                        | 120   | .14  |
|                           | 208   | .08  |
|                           | 240   | .07  |
|                           | 277   | .06  |

| Absolute Lumens |       |
|-----------------|-------|
| CCT             | LLF20 |
| 3000K           | 619   |
| 4200K           | 791   |
| 5100K           | 860   |

| Lumens Per Watt |       |
|-----------------|-------|
| CCT             | LLF20 |
| 3000K           | 36.4  |
| 4200K           | 46.5  |
| 5100K           | 50.6  |