

# LTV81-RGBW

LIGHTVAULT® 8

## FEATURES

- Bluetooth® connectivity for remote control aiming, dimming, color changing
- Free mobile App for Adroid and iOS
- Hardwired DMX connectivity for advanced control (controller supplied by others)
- IP68 sealed light engine

## Certifications

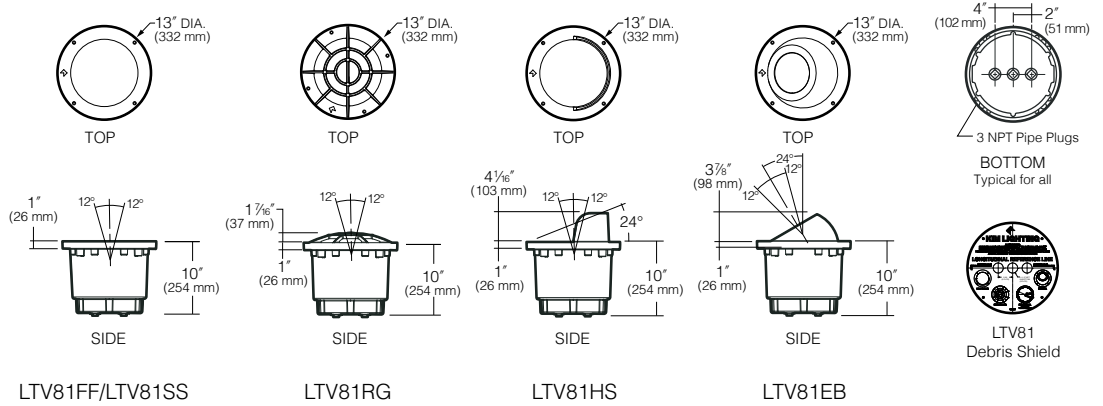


## SPECIFICATIONS



FF  
Approx. Weight = 31.5 lbs.

Pour Box rough-in housing ships separately and as a quick-ship if requested.



## ORDERING CODE

LTV81							
<b>Fixture Size</b>	<b>Style</b>	<b>Distribution</b>	<b>Electrical Module</b>			<b>Lens Options<sup>1</sup></b>	<b>Rebar Cage Anchor</b>
LTV81 13" Dia.	FF Flat Frame SS Stainless Steel HS Half Shield RG Rock Guard EB Eyeball	SP Spot NF Narrow Flood	<u>Source</u> 24L 24 LEDs (for LTV8FF) 12L 12 LEDs (for LTV8EB)	<u>Color Temperature</u> RGBW	<u>Voltages</u> UV 120-277V	SR Slip-Resistant Lens <sup>2</sup>	RCA81 for LTV81

<sup>1</sup> All lens options are integral parts of component module and must be installed at factory.  
<sup>2</sup> Slip Resistant Lens only available with the Flat Frame and Stainless Steel

# LTV81-RGBW

LIGHTVAULT® 8

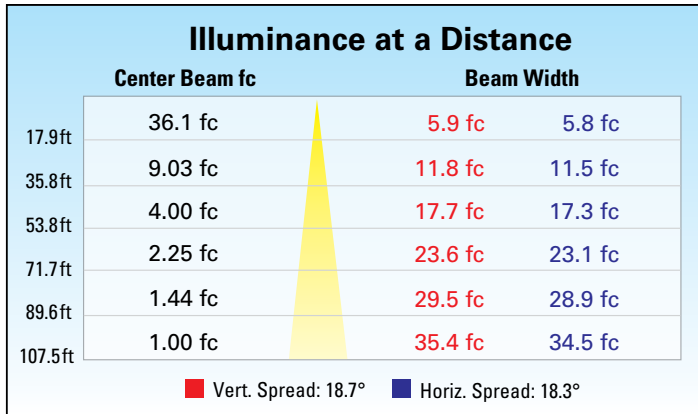
## Lumen Output

	Distribution	NEMA Type	Beam Angle	Field Angle	Max Candela	Watts	LPW	Delivered Lumens
LTV81FF-RGBW Full White	Spot	3Hx3V	19	37	11661	30	60	1807
	Narrow Flood	4Hx4V	33	65	3497	30.6	49	1500
LTV81EB-RGBW Full White	Spot	3Hx3V	18	37	5646	15.8	55	867
	Narrow Flood	4Hx4V	33	65	1687	15.8	45	717

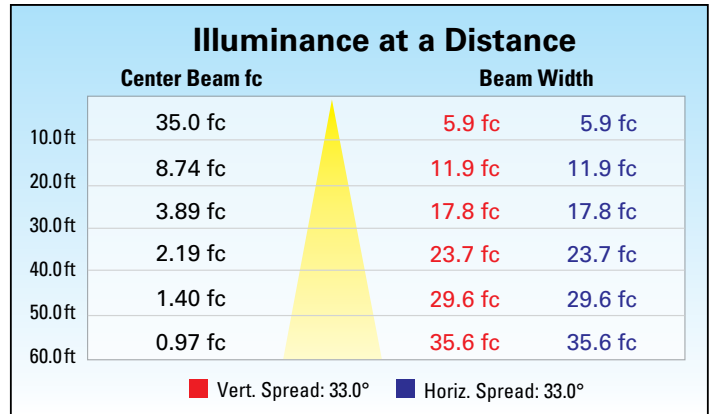
## Electrical Load

	Light Engine	Drive Current	System Watts	Current (A)			
				120V	208V	240V	277V
LTV81FF-RGBW	24L	350mA	30	.25	.15	.13	.11
LTV81EB-RGBW	12L	350mA	16	.13	.08	.07	.06

LTV81FF-SP



LTV81FF-NF



### Multipliers

LTV8	RGBW
Red	0.44
Green	0.94
Blue	0.17
White	1.00

# LTV81-RGBW

LIGHTVAULT® 8

## SPECIFICATIONS

### Housing:

- Pour Box rough-in housing for installation below grade.
- High temperature UV resistant thermal plastic, 3/16" minimum wall, black.
- Includes a splice box with molded plastic splice cover and silicone gasket.
- Three 1" NPT in bottom for through wiring.
- 109 cu. in. splice area.
- Rough-in housing supplied with a protective aluminum debris shield and includes an orientation label for proper installation alignment. This allows for clean and easy installation in concrete pad or soil. Pour Box can be shipped separately as a quick-ship if requested.

### Component Module:

- One-piece impregnated cast bronze component module is fully sealed and secured to the face trim from the underside.
- A high temperature, anti-siphon, IP68 sealed cable extends from the component module to the splice box inside the housing.
- The fully assembled component module is secured to the housing with (4) ¼-20 tamper-resistant and high grade stainless steel fasteners.

### Face Trim:

- One-piece cast bronze lens ring fastens to the component module from the underside and provides a flat surface.

### Optical Modules:

- Spot (SP) and Narrow Flood (NF) optical modules are adjustable up to ±12° utilizing a Bluetooth® enabled motor assembly.

### Bluetooth®:

- Integral Bluetooth® module, built into driver, permits the adjustment/aiming of optic board and to dim fixture(s) to desired setting when paired with Remote App via cellular/tablet device.
- Bluetooth® Low Energy (BLE) or Bluetooth® Smart compatible for both iOS (iOS8 and forward) and Android (Gingerbread and forward) handheld software applications. Compatible with phones and tablets.
- Free Bluetooth® Apps are available for Apple iOS and Google Android mobile devices and are downloadable via the internet at Apple App Store or Google Play.

### DMX:

- 6 wires: Red (DMX+), Violet (DMX-), Grey (DMX Ground), Black (Voltage), White (common), and Green (Ground)
- Single DMX universe with six slots/addresses of virtual control which are pre-programmed at the factory:
  - DMX slot/address 1 = red
  - DMX slot/address 2 = blue
  - DMX slot/address 3 = green
  - DMX slot/address 4 = white
  - DMX slot/address 5 = X tilt, a 127 means do nothing, a value between 1-63 means left, a value between 192-254 means right
  - DMX slot/address 6 = Y tilt, a 127 means do nothing, a value between 1-63 means up, a value between 192-254 means down
- Fully DMX RDM compatible .

### Mobile App:

- X-Y tilt controls for aiming.
- Color selection and adjustment.
- Camera function for color matching.
- Intensity slider for dimming/ramping up.
- Save and rename up to 10 presets.
- Group and rename fixtures.
- Fixture is password protected, refer to instructions to set unique password

### Lens:

- Clear 5/16" thick tempered glass lens and silicone gasket is retained securely within the component module.

### Options:

- Slip Resistant Lens (SR) and Rebar Cage Anchor (RCA81).

### Electrical Equipment:

- All electronic components are UL and CSA recognized and are mounted directly to the component module for maximum heat dissipation and modularity. Driver is IP67 with -30°C minimum temperature rating.

### Drive-Over Durability:

- When installed in concrete, fixture will withstand drive-over by vehicles weighing up to 4,500 lb.

### Certification:

- UL 1598 Standard for Luminaires.
- UL 8750 Standard for Safety for Light Emitting Diode (LED) Equipment for use in Lighting Products.

### WARRANTY:

- Opening of Component Module on site will void warranty.



The Bluetooth® word mark and logos are registered trademarks owned by Bluetooth® SIG, Inc. and any use of such marks by Kim Lighting is under license. Other trademarks and trade names are those of their respective owners. Apple, the Apple logo, iPad, iPhone, and iPod Touch are trademarks of Apple Inc., registered in the U.S. and other countries. App Store is a service mark of Apple Inc. Google Play is a trademark of Google Inc.