

KFL1RGBW

ARCHITECTURAL RGBW FLOOD

Architectural FLOODLIGHT COLLECTION

FEATURES

- Color Temperatures: Red, Green, Blue, White (5700K) and Red, Green, Blue, Warm White (2700K)
- Yoke and Threaded Knuckle mounting options
- 7 beam distributions for applications including Narrow Spot 7°x7°, Spot 9°x9°, Narrow 24°x24°, Medium 40°x35°, Medium Flood 44°x49°, Horizontal 39°x9°, and Vertical 9°x39°
- Current Lighting RGBW app (available on IOS and Android)



KFL1RGBW

CONTROL TECHNOLOGY



RELATED PRODUCTS

Ouro Pavilion Intent

SPECIFICATIONS

CONSTRUCTION

- One piece die-cast, low copper (<0.6% Cu) Aluminum Alloy 360 with vents and .100" minimum wall thickness
- Finish: fade and abrasion resistant, electrostatically applied, thermally cured, triglycidal isocyanurate (TGIC) polyester powdercoat
- Lens is impact resistant 1/8" tempered glass with anti-reflective coating
- Lens has a one-piece extruded vulcanized silicone gasket, while the lens frame has a one-piece O-ring extruded vulcanized silicone gasket
- Mid-frame one piece die-cast, low copper (<0.6% Cu) Aluminum Alloy 360 and .100" minimum wall thickness
- Mid-frame secures to Lens Frame and housing by stainless steel recessed Allen-head screws
- Silicone gaskets throughout and all external fasteners are stainless steel

OPTICS

- LEDs mount to a metal printed circuit board assembly (MCPCB)
- Optical lenses are clear injection molded PMMA acrylic

INSTALLATION

- Fixtures must be grounded in accordance with national, state and/or local electrical codes. Failure to do so may result in serious personal injury

ELECTRICAL

- Universal voltage, 120 through 240V, 277V with a ±5% tolerance. Class II power unit
- High voltage, 347/480. Class II power unit. Output adjustable via potentiometer
- HV drivers will have greater than a 0.9 power factor, less than 20% harmonic distortion, and be suitable for operation in -40°C to 40°C ambient environments
- Working ambient temperature: -40°C to 40°C
- Dimming range from 10% to 100% through the use of standard 0-10V interface on the programmable driver
- Modular wiring harness in the service area provides user access to the dimming circuitry
- Optional factory programmed dimming profile
- Surge protection: 10,000k in parallel, 20,000k in series
- SF for 120, 277, 347 Line volts
DF for 208, 240, 480 Line volts
- Wiring: No. 18AWM rated 105°C, wet rating.

CERTIFICATIONS AND LISTINGS.

- Listed to UL1598 and CSA C22.2#250.0-24 for wet locations and 40°C ambient temperatures.
- IP66 certified.
- 3G rated for ANSI C136.31 high vibration applications.
- RoHS compliant.
- IEC 66262 Mechanical Impact Code IK08
- This product qualifies as a "designated country construction material" per FAR 52.225-11 and -9 Buy American-Construction Materials under Trade Agreements effective 04/23/2020. See Buy American Solutions.

WARRANTY

- 5 year warranty



Continued on page 3

KEY DATA	
Wattage Range	8
Efficacy Range (LPW)	41.7-61.2
Reported Life (Hours)	L70/60,000
Weight	9 lbs 4.08 kg
EPA Front View / Side View	.53 / .27

KFL1RGBW

ARCHITECTURAL RGBW FLOOD

ORDERING GUIDE

Example: KFL1RGBW-6L-8-RGBW-SP-UNV-K-GTT

CATALOG #

HOUSING

KFL1		-		-		-		-		-	
Housing		LED Engine		CCT/CRI		Beam Spread		Voltage		Mounting	
KFL1RGBW	Architectural RGBW Floodlight	6L-8	8W, 2,000 lm	RGBW	Red, Green, Blue, White (5700K)	NS	Narrow Spot	UNV	120-240V	Y	Architectural Yoke
				RGBWW	Red, Green, Blue, White (2700K)	SP	Spot	277	277V	K	Threaded Knuckle
						N	Narrow	347	347V		
						M	Medium	480	480V		
						MF	Medium Flood				
						HF	Horizontal Flood				
						VF	Vertical Flood				

Color		Options		Optical Options	
BLS	Black Gloss Smooth	SF	Single Fuse 120, 277, 347 Line Volts	BD	Barn Doors
BLT	Black Matte Textured	DF	Double Fuse 208, 240, 480 Line Volts	HS	Half Glare Shield
DBS	Dark Bronze Gloss Smooth				
DBT	Dark Bronze Matte Textured				
GTT	Graphite Matte Textured				
LGS	Light Grey Gloss Smooth				
LGT	Light Grey Matte Textured				
PSS	Platinum Silver Gloss Smooth				
VGT	Verde Green Matte Textured				
WHS	White Gloss Smooth				
WHT	White Matte Textured				
Color Option					
CC ¹	Custom Color				
Mounting Accessories					
Mounting Accessories			Accessories Color		
JBR 2/3/21/24 ²	Brass In-Grade Architectural Junction Box	BLS	Black Gloss Smooth		
JBR 4/5 ²	Composite In-Grade Architectural Junction Box	BLT	Black Matte Textured		
JBR30 ²	(2) ½" NPT in bottom, (2) 19" long stakes Brass In-Grade Staked Junction Box	DBS	Dark Bronze Gloss Smooth		
JBR32 ²	(2) ½" NPT in bottom, (2) 19" long stakes with 9' cord Brass In-Grade Staked Junction Box	DBT	Dark Bronze Matte Textured		
J-27N	Surface Mount	GTT	Graphite Matte Textured		
SM18	Stanchion Mount	LGS	Light Grey Gloss Smooth		
SPM	Side Pole Mount	LGT	Light Grey Matte Textured		
JB1	Architectural Junction Box	PSS	Platinum Silver Gloss Smooth		
WM	Wall or Ceiling Mount	VGT	Verde Green Matte Textured		
WM1	Wall Mount	WHS	White Gloss Smooth		
TM2	Twin Mount	WHT	White Matte Textured		
PT	Post Top Mount	Color Option			
PT2	Twin Post Top Mount	CC ¹	Custom Color		

Notes:
 1 Consult factory for custom color, marine and corrosive finish options
 2 See pages 9 for all JBR options and ordering logic

KFL1RGBW

ARCHITECTURAL RGBW FLOOD

SPECIFICATIONS CONT'D

CONTROLS

- Each fixture comes equipped with a dual control driver that supports Bluetooth® operation of individual fixtures or DMX control of an entire system of fixtures. DMX:
- Fully DMX/RDM Compatible
- Utilizes 4 DMX Channels per fixture
- Modular wiring harness in the service area provides user access to the dimming circuitry via DMX.

DMX Map

- Start Address – Red
- Start Address +1 – Green
- Start Address +2 – Blue
- Start Address +3 – White
- **DMX Addressing** is performed by using a compatible RDM handheld unit or via the Bluetooth® App.
- Performed by using a compatible RDM handheld unit or via the Bluetooth® App

DMX Wiring Color Code

- Red Wire – DMX +
- Brown Wire – DMX-
- Yellow Wire – Shield/Ground
- DMX termination must be achieved by adding a DMX terminator to the last fixture in a Daisy-Chain. Fixture does not auto terminate.
- Kim Lighting is proud to offer the Pharos Architectural Controls DMX Controllers and Touch screens. See Pharos Spec Sheet for more details. See the Pharos® Spec Sheet for more details.

Bluetooth® Mobile App:

- Mobile App specification in additional information section.
- Mobile App. dimming range from 0% to 100% through app (available on IOS and Android).
- Color selection and adjustment.
- Camera function for color matching.
- Intensity slider for dimming/ramping up.
- Save and rename up to 10 presets.
- Group and rename fixtures.
- Fixture is password protected, refer to instructions to set unique password.
- Modular wiring harness in the service area provides user access to the dimming circuitry via DMX.



The Bluetooth® word mark and logos are registered trademarks owned by Bluetooth® SIG, Inc. and any use of such marks by Kim Lighting is under license. Other trademarks and trade names are those of their respective owners. Apple, the Apple logo, iPad, iPhone, and iPod Touch are trademarks of Apple Inc., registered in the U.S. and other countries. App Store is a service mark of Apple Inc. Google Play is a trademark of Google Inc.



DELIVERED LUMENS

LEDs #	Nominal Watts	Distribution	Beam Angles	RGBW White 5700K			RGBWW Warm White 4000K		
				Lumen	Center Beam Candlepower	lm/w	Lumen	Center Beam Candlepower	lm/w
6L	8	SP	9° x 9°	522	11511	59.7	440	9681	50.5
		NS	7° x 7°	512	13838	58.9	431	11622	49.5
		N	24° x 24°	535	2493	61.2	451	2096	51.7
		M	40° x 35°	520	1154	59.7	438	956	51.1
		MF	44° x 49°	431	522	49.4	363	439	41.7
		HF	39° x 9°	526	3575	60.3	443	3004	50.9
		VF	9° x 39°	531	3607	61.0	447	3029	51.3

Multipliers		
KFL	RGBW	RGBWW
Red	0.44	0.52
Green	0.94	1.11
Blue	0.17	0.20
White	1.00	1.00

KFL1RGBW
ARCHITECTURAL RGBW FLOOD

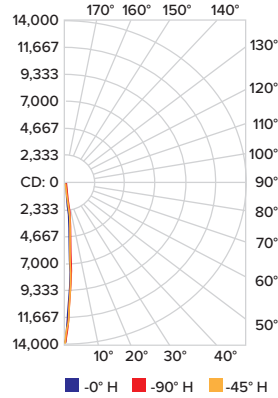
PHOTOMETRY

KFL1-6L-8-RGBW-NS

LUMINAIRE DATA

Description	5700K
Delivered Lumens	512
Watts	8.69
Efficacy	58.9
Beam Angles (H x V)	7.8° x 7.4°
Center Beam Candlepower	13838

POLAR CANDELA DISTRIBUTION



ILLUMINANCE AT A DISTANCE

	Center Beam fc	Beam Width	
8.3 ft	201.00 fc	1.1 ft	1.1 ft
16.7 ft	49.60 fc	2.1 ft	2.3 ft
25.0 ft	22.10 fc	3.2 ft	3.4 ft
33.3 ft	12.50 fc	4.3 ft	4.6 ft
41.7 ft	7.96 fc	5.4 ft	5.7 ft
50.0 ft	5.54 fc	6.4 ft	6.8 ft

■ Vertical Spread: 7.4° ■ Horizontal Spread: 7.8°

LUMENS PER ZONE

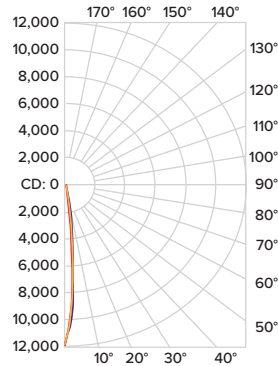
Zone	Lumens	% Total
0-10	336.60	64.70%
10-20	94.20	18.10%
20-30	54.4	10.40%
30-40	25.3	4.90%
40-50	6	1.20%
50-60	1.9	0.40%
60-70	1.1	0.20%
70-80	0.7	0.10%
80-90	0.1	0.00%

KFL1-6L-8-RGBW-SP

LUMINAIRE DATA

Description	5700K
Delivered Lumens	522
Watts	8.75
Efficacy	59.7
Beam Angles (H x V)	9.7° x 9.5°
Center Beam Candlepower	11511

POLAR CANDELA DISTRIBUTION



ILLUMINANCE AT A DISTANCE

	Center Beam fc	Beam Width	
8.3 ft	167.0 fc	1.4 ft	1.4 ft
16.7 ft	41.3 fc	2.8 ft	2.8 ft
25.0 ft	18.4 fc	4.2 ft	4.3 ft
33.3 ft	10.4 fc	5.5 ft	5.7 ft
41.7 ft	6.6 fc	6.9 ft	7.1 ft
50.0 ft	4.6 fc	8.3 ft	8.5 ft

■ Vertical Spread: 9.5° ■ Horizontal Spread: 9.7°

LUMENS PER ZONE

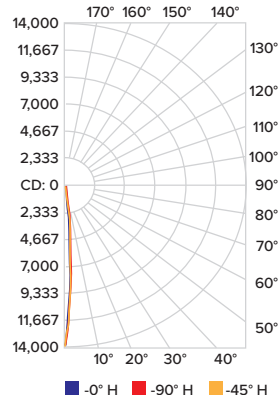
Zone	Lumens	% Total
0-10	359.00	67.80%
10-20	83.60	15.80%
20-30	51	9.60%
30-40	25.7	4.90%
40-50	7	1.30%
50-60	1.9	0.40%
60-70	1	0.20%
70-80	0.5	0.10%
80-90	0	0.00%

KFL1-6L-8-RGBW-N

LUMINAIRE DATA

Description	5700K
Delivered Lumens	535
Watts	8.74
Efficacy	61.2
Beam Angles (H x V)	24.9° x 24.4°
Center Beam Candlepower	2493

POLAR CANDELA DISTRIBUTION



ILLUMINANCE AT A DISTANCE

	Center Beam fc	Beam Width	
8.3 ft	35.70 fc	3.6 ft	3.7 ft
16.7 ft	8.81 fc	7.2 ft	7.4 ft
25.0 ft	3.93 fc	10.8 ft	11.0 ft
33.3 ft	2.22 fc	14.4 ft	14.7 ft
41.7 ft	1.41 fc	18.0 ft	18.4 ft
50.0 ft	0.98 fc	21.6 ft	22.0 ft

■ Vertical Spread: 24.4° ■ Horizontal Spread: 24.9°

LUMENS PER ZONE

Zone	Lumens	% Total
0-10	211.7	39.50%
10-20	218.8	40.80%
20-30	59.20	11.00%
30-40	27.9	5.20%
40-50	11.7	2.20%
50-60	4.4	0.80%
60-70	1.7	0.30%
70-80	0.9	0.20%
80-90	0.1	0.00%

KFL1RGBW

ARCHITECTURAL RGBW FLOOD

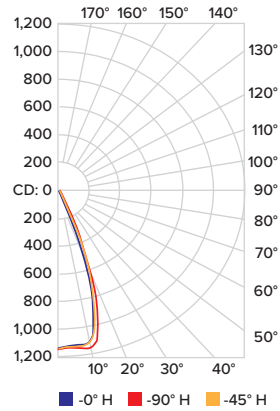
PHOTOMETRY CONTINUED

KFL1-6L-8-RGBW-M

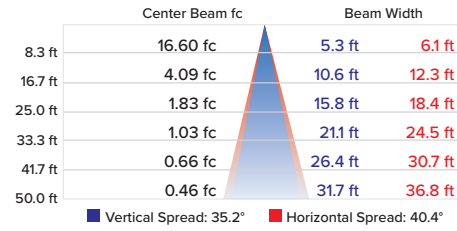
LUMINAIRE DATA

Description	5700K
Delivered Lumens	520
Watts	8.71
Efficacy	59.7
Beam Angles (H x V)	40° x 35°
Center Beam Candlepower	1154

POLAR CANDELA DISTRIBUTION



ILLUMINANCE AT A DISTANCE



LUMENS PER ZONE

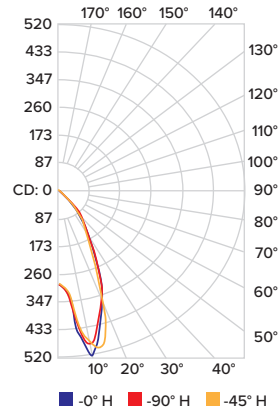
Zone	Lumens	% Total
0-10	108	20.70%
10-20	245.7	47.20%
20-30	112.50	21.60%
30-40	32.60	6.30%
40-50	13	2.50%
50-60	5.1	1.00%
60-70	2.3	0.40%
70-80	1.1	0.20%
80-90	0.2	0.00%

KFL1-6L-8-RGBW-MF

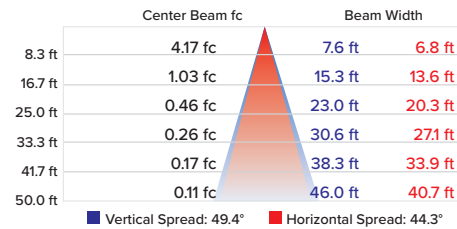
LUMINAIRE DATA

Description	5700K
Delivered Lumens	431
Watts	8.73
Efficacy	49.4
Beam Angles (H x V)	44° x 49°
Center Beam Candlepower	522

POLAR CANDELA DISTRIBUTION



ILLUMINANCE AT A DISTANCE



LUMENS PER ZONE

Zone	Lumens	% Total
0-10	37.6	8.70%
10-20	126.5	29.40%
20-30	116	26.90%
30-40	80.2	18.60%
40-50	48.1	11.20%
50-60	15.2	3.50%
60-70	4.7	1.10%
70-80	2.2	0.50%
80-90	0.4	0.10%

KFL1RGBW
ARCHITECTURAL RGBW FLOOD

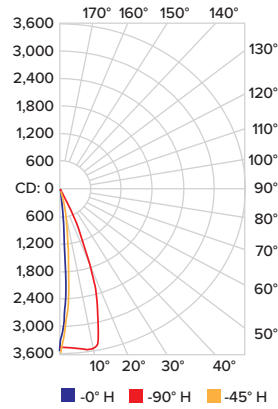
PHOTOMETRY CONTINUED

KFL1-6L-8-RGBW-HF

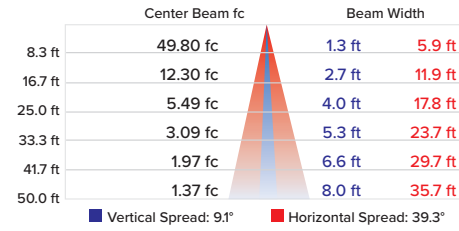
LUMINAIRE DATA

Description	5700K
Delivered Lumens	526
Watts	8.73
Efficacy	60.3
Beam Angles (H x V)	39° x 9°
Center Beam Candlepower	3575

POLAR CANDELA DISTRIBUTION



ILLUMINANCE AT A DISTANCE



LUMENS PER ZONE

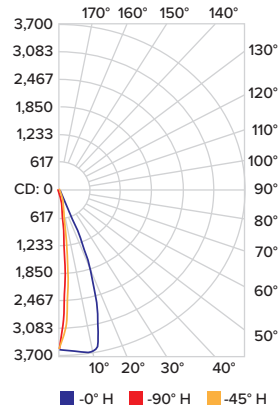
Zone	Lumens	% Total
0-10	182.5	34.50%
10-20	218.7	41.40%
20-30	85	16.10%
30-40	25.9	4.90%
40-50	9.8	1.80%
50-60	3.8	0.70%
60-70	1.6	0.30%
70-80	1	0.20%
80-90	0.2	0.00%

KFL1-6L-8-RGBW-VF

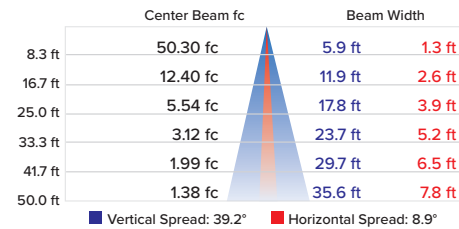
LUMINAIRE DATA

Description	5700K
Delivered Lumens	531
Watts	8.73
Efficacy	60.8
Beam Angles (H x V)	9° x 39°
Center Beam Candlepower	3607

POLAR CANDELA DISTRIBUTION



ILLUMINANCE AT A DISTANCE



LUMENS PER ZONE

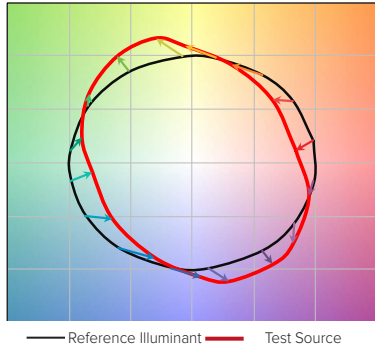
Zone	Lumens	% Total
0-10	182.5	34.20%
10-20	221.2	41.50%
20-30	86.7	16.30%
30-40	26.2	4.90%
40-50	9.8	1.80%
50-60	3.8	0.70%
60-70	1.6	0.30%
70-80	1.1	0.20%
80-90	0.1	0.00%

KFL1RGBW

ARCHITECTURAL RGBW FLOOD

TM-30 DATA

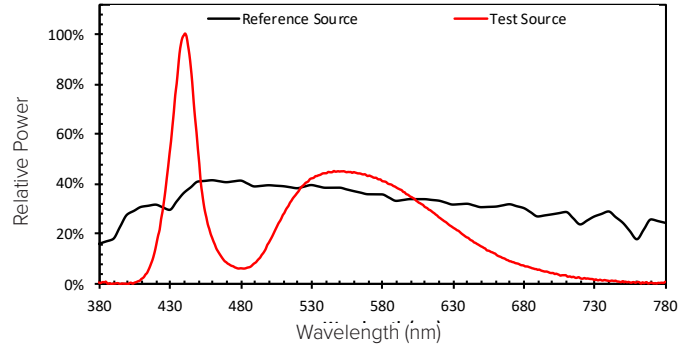
COLOR VECTOR GRAPHIC



TEST SOURCE

R _f	64
R _g	98
CCT(K)	6127
D _{uv}	-0.0005
x	0.3198
y	0.3286
CIE R _a	69

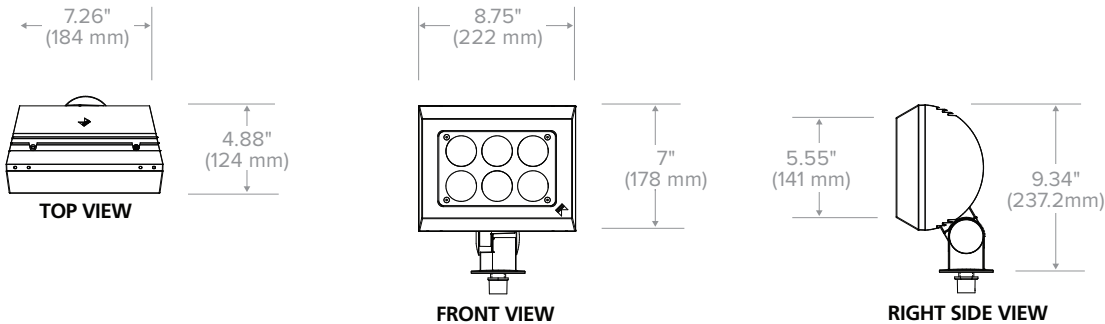
SPECTRAL POWER DISTRIBUTION COMPARISON



ELECTRICAL DATA

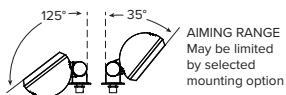
Electrical										
Light Engine	System Watts	Drive Current	Line Voltage		Amps AC					
			VAC	Hz	120	208	240	277	347	480
6L	8	350 mA	120-480	50/60	0.12	0.07	0.06	0.05	0.04	0.03

DIMENSIONS

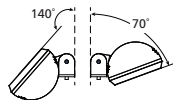


AIMING RANGE

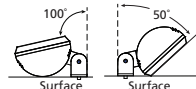
THREADED KNUCKLE



YOKE AIMING RANGE



YOKE AIMING RANGE WITH GROUND RESTRICTIONS



KFL1RGBW

ARCHITECTURAL RGBW FLOOD

PRODUCT EXCEPTIONS & DETAILS

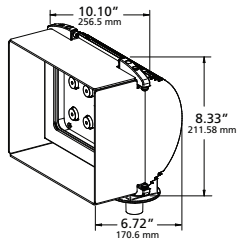
OPTICAL OPTIONS

BARN DOORS (BD)

- Formed 3/32" thick aluminum. Each door is hinged to a cast, low copper (<0.6% Cu) aluminum frame, and locks by set screws. Doors are individually removable. Barn Door assembly mounts to predrilled door frame holes. Assembly will be painted to match fixture housing.

CAUTION:

- Not recommended for ground mounted fixtures in vandal prone areas.

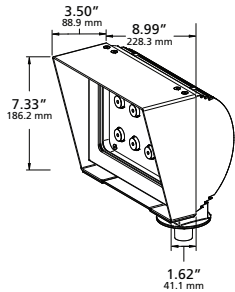


HALF GLARE SHIELD (HS)

- Formed 3/32" thick aluminum. Mounts to predrilled door frame holes. Can be mounted along the top or bottom of the fixture to shield the lamp and lens from view. Assembly will be painted to match fixture housing.

CAUTION:

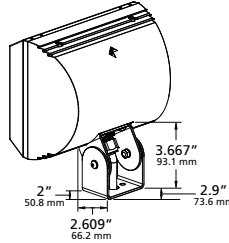
- Not recommended for ground mounted fixtures in vandal prone areas.



MOUNTING OPTIONS

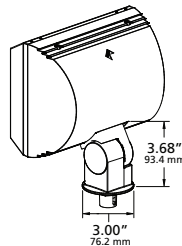
ARCHITECTURAL YOKE (Y)

- Architectural Yoke Mount used for surface mounting applications. Secured to surface using two 1/4" bolts.
- Yoke is stainless steel material with powder coating finish.



THREADED KNUCKLE (K)

- Threaded Knuckle is die-cast aluminum with integral locking teeth providing 5° adjustment intervals. Stainless steel allen-head screw with spring locking washer and 1/2" NPSM. Clear anodized prior to chromate conversion coating for added corrosion resistance.
- Threaded Knuckle mounting used in conjunction with mounting accessories listed on page 1.



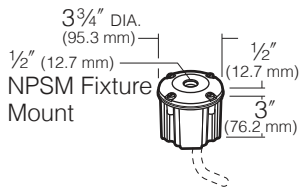
KFL1RGBW
ARCHITECTURAL RGBW FLOOD

PRODUCT EXCEPTIONS & DETAILS CONTINUED

MOUNTING ACCESSORIES

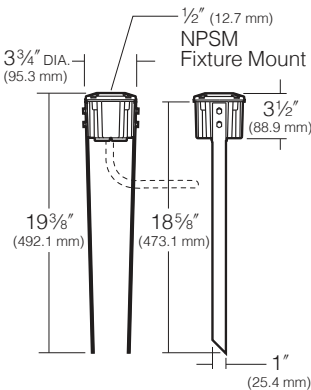
BRASS IN-GRADE ARCHITECTURAL JUNCTION BOX (THREADED KNUCKLE MOUNT ONLY)

- **JBR-2** (2) 1/2" NPT in bottom
- **JBR-3.** (2) 3/4" NPT in bottom
- **JBR21** (2) 1/2" NPT in sides (2) 1/2" NPT in bottom
- **JBR24** (4) 1/2" NPT in sides (2) 1/2" NPT in bottom
- Die-cast brass with 1/2" NPSM fixture mount and die-cast cover. Internal set screw provided for locking position. 21 cu in. internal volume. NOTE: All side taps provided with plugs. Creates a flush-mounted appearance. May be cast in concrete for increased stability. **CAUTION:** Fixture stem and swivel must not contact soil or standing water. Provide drainage away from junction box.



BRASS IN-GRADE STAKED JUNCTION BOX (THREADED KNUCKLE MOUNT ONLY)

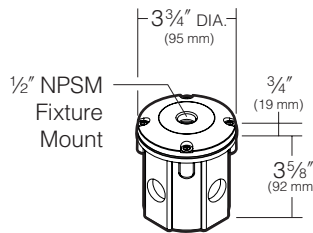
- **JBR-30** (2) 1/2" NPT in bottom, (2) 19" long stakes Brass In-Grade Staked Junction Box
- **JBR-32.** (2) 19" long stakes
- Die-cast brass with 1/2" NPSM fixture mount and die-cast cover. Internal set screw provided for locking position. 21 cu in. internal volume. Creates a flush-mounted appearance. May be cast in concrete for increased stability. **CAUTION:** To assure a rigid installation, Staked Junction Box must be set in concrete (by others). Fixture stem and swivel must not contact soil or standing water. Provide drainage away from junction box.



COMPOSITE IN-GRADE ARCHITECTURAL JUNCTION BOX

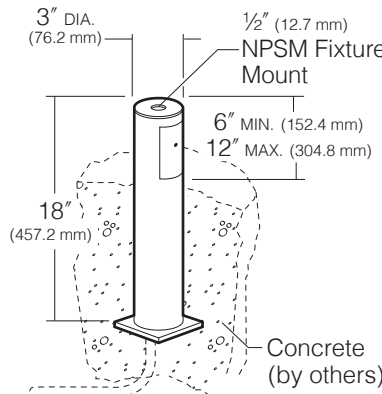
- **JBR-4** (2) 1/2" NPT knock-outs in bottom (4) 1/2" NPT knock-outs on sides at 90°
- **JBR-5** Same as above but with brass cover
- Composite box with 1/2" NPSM fixture mount and composite cover. Internal set screw provided for locking position. 19 cu in. internal volume.

NOTE: May also be used to hard mount low voltage fixtures.
CAUTION: Fixture stem and swivel must not contact soil or standing water. Provide drainage away from junction box.



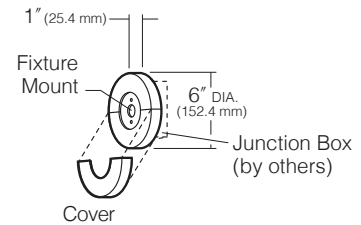
STANCHION MOUNT (SM18) (THREADED KNUCKLE MOUNT ONLY)

- 3" O.D. by .188" wall cast low copper (<0.6% Cu) aluminum with 1/2" NPSM fixture mount and hand hole with flush cover. Internal set screw fixture lock accessible through hand hole. Internal ground lug supplied with installed lead. **CAUTION:** To assure a rigid installation, stanchion must be set in concrete (by others).



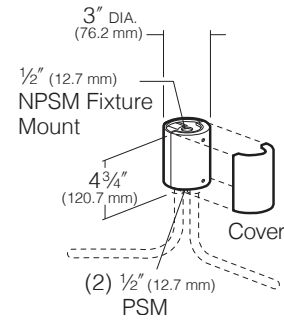
WALL OR CEILING MOUNT (WM) (THREADED KNUCKLE MOUNT ONLY)

- Electro zinc steel mounting plate adapts to standard 4" square or octagonal Junction Boxes. Fixture mounts to cast low copper (<0.6% Cu) aluminum upper cover which attaches to mounting plate. Lower cover half provides splice access. Dielectric sealing compound provided for wall interface.



ARCHITECTURAL JUNCTION BOX (JB1) (THREADED KNUCKLE MOUNT ONLY)

- Die-cast, low copper (<0.6% Cu) anodized aluminum with 1/2" NPSM fixture mount. Internal set screw provided for locking position. Two 1/2" NPSM in bottom, 17 cu in. internal volume. **CAUTION:** Junction Box must be installed high enough to avoid contact with soil or standing water.



KFL1RGBW

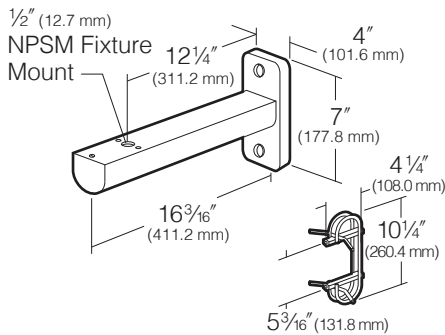
ARCHITECTURAL RGBW FLOOD

PRODUCT EXCEPTIONS & DETAILS CONTINUED

MOUNTING ACCESSORIES

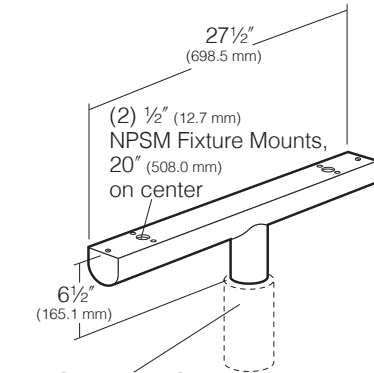
**WALL MOUNT (WM1)
(THREADED KNUCKLE MOUNT ONLY)**

- Extruded aluminum arm with a removable end cap for wiring access. Arm is welded to a cast aluminum plate with two 1/2" dia. mounting holes. Optional Wall Embedment Bracket (WEB) provides 3/8-16 bolt receptacles welded in a galvanized re-bar cage for casting into poured-in-place concrete walls. Bolt receptacles receive fixture attachment bolts. Component EPA: 0.3.



**TWIN MOUNT (TM2)
(THREADED KNUCKLE MOUNT ONLY)**

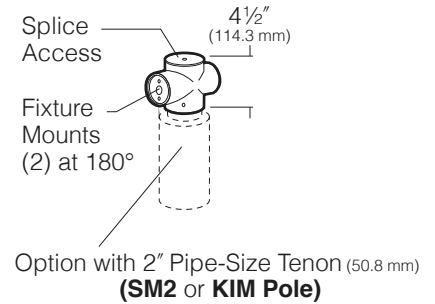
- Extruded aluminum arm. Internal set screw fixture locks. Can be mounted on a SM2, SMT, or Steel Kim Pole with steel 2" pipe-size tenon (2-3/8" O.D. x 3-1/2" min. length). Removable end caps for wiring access. CAUTION: Approved for mounting to poles with steel tenons only. Component EPA: 0.6.



Option with Steel 2" Pipe-Size Tenon (50.8 mm) (SM2, SMT, or KIM Pole)

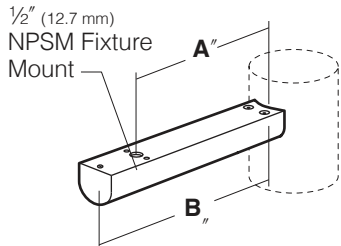
**TWIN POST TOP MOUNT (PT2)
(YOKE MOUNT ONLY)**

- Cast aluminum mount for pole or other mounting option with 2" pipe-size tenon (2-3/8" O.D. x 3-1/2" minimum length). Fixture attaches with concealed internal studs, mounting is with 1/4-20 allen set screws. Top cap provides splice access. NOTE: Not for use with SMT, SPT, WM2, M2B, or M3E options. Component EPA: 0.1.



**SIDE POLE MOUNT (SPM-X)
(THREADED KNUCKLE MOUNT ONLY)**

- Available for Round and Square Poles. Extruded aluminum arm. Internal set screw fixture lock. Removable end cap for wiring access. For use with other Kim Site/Roadway Luminaires as an additional mid-pole floodlight. X in Side Pole Mount Cat. No. indicates 3", 3-1/2", 4", 5" or 6" pole dia. Example: SPM-4/BL is for 4" round pole with Black finish. For square poles, omit -X. NOTE: Field drilling of Poles is required. Component EPA: 0.3.



A 11 1/2" (292.1 mm) For Round Poles
12" (304.8 mm) For Square Poles

B 15 3/8" (390.5 mm) For Round Poles
15 7/8" (403.2 mm) For Square Poles

**POST TOP MOUNT (PT)
(YOKE MOUNT ONLY)**

- Cast aluminum mount for pole or other mounting option with 2" pipe-size tenon (2-3/8" O.D. x 3-1/2" minimum length). Fixture attaches with concealed internal studs, mounting is with 1/4-20 allen set screws. Top cap provides splice access. Component EPA: 0.7.

