

KFL3RGBW

ARCHITECTURAL RGBW FLOOD

Architectural FLOODLIGHT COLLECTION

FEATURES

- Color Temperatures: Red, Green, Blue, White (5700K) and Red, Green, Blue, Warm White (2700K)
- Yoke and Threaded Knuckle mounting options
- 7 beam distributions for applications including Narrow Spot 6°x6°, Spot 8°x8°, Narrow 24°x24°, Medium 39°x39°, Medium Flood 45°x51°, Horizontal 39°x9°, and Vertical 9°x39°
- HUBBELL LIGHTING RGBW app (available on IOS and Android)



KFL3RGBW

CONTROL TECHNOLOGY



RELATED PRODUCTS

- [Ouro](#)
- [Pavilion](#)
- [Intent](#)

SPECIFICATIONS

CONSTRUCTION

- One piece die-cast, low copper (<0.6% Cu) Aluminum Alloy 360 with vents and .100" minimum wall thickness
- Finish: fade and abrasion resistant, electrostatically applied, thermally cured, triglycidal isocyanurate (TGIC) polyester powdercoat
- Lens is impact resistant 1/8" tempered glass with anti-reflective coating
- Lens has a one-piece extruded vulcanized silicone gasket, while the lens frame has a one-piece O-ring extruded vulcanized silicone gasket
- Mid-frame one piece die-cast, low copper (<0.6% Cu) Aluminum Alloy 360 and .100" minimum wall thickness
- Mid-frame secures to Lens Frame and housing by stainless steel recessed Allen-head screws
- Silicone gaskets throughout and all external fasteners are stainless steel

OPTICS

- LEDs mount to a metal printed circuit board assembly (MCPCB)
- Optical lenses are clear injection molded PMMA acrylic

INSTALLATION

- Fixtures must be grounded in accordance with national, state and/or local electrical codes. Failure to do so may result in serious personal injury

ELECTRICAL

- Universal voltage, 120 through 240V, 277V with a ±5% tolerance. Class II power unit
- High voltage, 347/480. Class II power unit. Output adjustable via potentiometer
- HV drivers will have greater than a 0.9 power factor, less than 20% harmonic distortion, and be suitable for operation in -40°C to 40°C ambient environments
- Working ambient temperature: -40°C to 40°C
- Dimming range from 10% to 100% through the use of standard 0-10V interface on the programmable driver
- Modular wiring harness in the service area provides user access to the dimming circuitry
- Optional factory programmed dimming profile
- Surge protection: 10,000k in parallel, 20,000k in series
- SF for 120, 277, 347 Line volts
DF for 208, 240, 480 Line volts
- Wiring: No. 18AWM rated 105°C, wet rating

CERTIFICATIONS AND LISTINGS.

- Listed to UL1598 and CSA C22.2#250.0-24 for wet locations and 40°C ambient temperatures.
- IP66 certified.
- 3G rated for ANSI C136.31 high vibration applications.
- RoHS compliant.
- IEC 66262 Mechanical Impact Code IK08.
- This product qualifies as a "designated country construction material" per FAR 52.225-11 and -9 Buy American-Construction Materials under Trade Agreements effective 04/23/2020. See [Buy American Solutions..](#)

WARRANTY

- 5 year warranty
- See [HLI Standard Warranty](#) for additional information

KEY DATA	
Wattage Range	75
Efficacy Range (LPW)	40.7-58.8
Reported Life (Hours)	L70/60,000
Weight	30 lbs 13.60 kg
EPS Front View / Side View	1.85 / .60

DATE: _____ LOCATION: _____
 TYPE: _____ PROJECT: _____
 CATALOG #: _____

ORDERING GUIDE

Example: KFL3RGBW-33L-75-RGBW-SP-UNV-K-GTT

CATALOG # _____

HOUSING

KFL3		-	-	-	-	-	-
Housing	LED Engine	CCT/CRI	Beam Spread	Voltage	Mounting		
KFL3RGBW Architectural RGBW Floodlight	33L-75 75W	RGBW Red, Green, Blue, White (5700K)	NS Narrow Spot	UNV 120-240V	Y Architectural Yoke		
			SP Spot	277 277V	K Threaded Knuckle		
		RGBWW Red, Green, Blue, White (2700K)	N Narrow	347 347V	S Slipfitter Knuckle		
			M Medium	480 480V			
			MF Medium Flood				
			HF Horizontal Flood				
			VF Vertical Flood				

Color	
BLS	Black Gloss Smooth
BLT	Black Matte Textured
DBS	Dark Bronze Gloss Smooth
DBT	Dark Bronze Matte Textured
GTT	Graphite Matte Textured
LGS	Light Grey Gloss Smooth
LGT	Light Grey Matte Textured
PSS	Platinum Silver Gloss Smooth
VGT	Verde Green Matte Textured
WHS	White Gloss Smooth
WHT	White Matte Textured
Color Option	
CC ¹	Custom Color

Options		Optical Options	
SF	Single Fuse 120, 277, 347 Line Volts	BD	Barn Doors
DF	Double Fuse 208, 240, 480 Line Volts	HS	Half Glare Shield

Mounting Accessories		Accessories Color	
JBR 2/3/21/24 ²	Brass In-Grade Architectural Junction Box	BLS	Black Gloss Smooth
JBR 4/5 ²	Composite In-Grade Architectural Junction Box	BLT	Black Matte Textured
JBR30 ²	(2) ½" NPT in bottom, (2) 19" long stakes Brass In-Grade Staked Junction Box	DBS	Dark Bronze Gloss Smooth
JBR32 ²	(2) ½" NPT in bottom, (2) 19" long stakes with 9' cord Brass In-Grade Staked Junction Box	DBT	Dark Bronze Matte Textured
J-27N	Surface Mount	GTT	Graphite Matte Textured
SM18	Stanchion Mount	LGS	Light Grey Gloss Smooth
SPM	Side Pole Mount	LGT	Light Grey Matte Textured
JB1	Architectural Junction Box	PSS	Platinum Silver Gloss Smooth
WM	Wall or Ceiling Mount	VGT	Verde Green Matte Textured
WM1	Wall Mount	WHS	White Gloss Smooth
M2B	Twin Mount Tenon	WHT	White Matte Textured
M3E	Triple Mount Tenon		
SPT	Side Pole Mount Tenon	Color Option	
SM2	Stanchion Mount Tenon	CC ¹	Custom Color
SMT	Surface Mount Tenon		
WM2	Wall Mount Tenon		

Notes:
 1 Consult factory for custom color, marine and corrosive finish options
 2 See pages 9 for all JBR options and ordering logic

SPECIFICATIONS CONT'D

CONTROLS

Each fixture comes equipment with a dual control driver that supports Bluetooth® operation of individual fixtures or DMX control of an entire system of fixtures. DMX:

Fully DMX/RDM Compatible

Utilizes 4 DMX Channels per fixture

Modular wiring harness in the service area provides user access to the dimming circuitry via DMX.

DMX Map

- Start Address – Red
- Start Address +1 – Green
- Start Address +2 – Blue
- Start Address +3 – White
- **DMX Addressing** is performed by using a compatible RDM handheld unit or via the Bluetooth® App.
- Performed by using a compatible RDM handheld unit or via the Bluetooth® App

DMX Wiring Color Code

- Red Wire – DMX +
- Brown Wire – DMX-
- Yellow Wire – Shield/Ground
- DMX termination must be achieved by adding a DMX terminator to the last fixture in a Daisy-Chain. Fixture does not auto terminate.
- Kim Lighting is proud to offer the Pharos Architectural Controls DMX Controllers and Touch screens. See Pharos Spec Sheet for more details.
See the [Pharos® Spec Sheet](#) for more details.

Bluetooth® Mobile App:

- Mobile App specification in additional information section.
- Mobile App. dimming range from 0% to 100% through the use of HUBBELL LIGHTING RGBW app (available on IOS and Android).
- Color selection and adjustment.
- Camera function for color matching.
- Intensity slider for dimming/ramping up.
- Save and rename up to 10 presets.
- Group and rename fixtures.
- Fixture is password protected, refer to instructions to set unique password.
- Modular wiring harness in the service area provides user access to the dimming circuitry via DMX.



The Bluetooth® word mark and logos are registered trademarks owned by Bluetooth® SIG, Inc. and any use of such marks by Kim Lighting is under license. Other trademarks and trade names are those of their respective owners. Apple, the Apple logo, iPad, iPhone, and iPod Touch are trademarks of Apple Inc., registered in the U.S. and other countries. App Store is a service mark of Apple Inc. Google Play is a trademark of Google Inc.



DELIVERED LUMENS

LED #	Nominal Wattage	Distribution	Beam Angles	RGBW White (5700K)			RGBWW Warm White (2700K)		
				Lumen	Center Beam Candlepower	lm/w	Lumen	Center Beam Candlepower	lm/w
33L	75	SP	8° x 8°	4147	114821	57.4	3493	96685	48.5
		NS	6° x 6°	4077	129062	56.5	3434	108707	47.6
		N	24° x 24°	4216	19765	58.4	3551	16642	49.3
		M	39° x 39°	4058	8902	56.4	3418	7498	47.4
		MF	45° x 51°	3487	4078	48.5	2937	3434	40.7
		HF	39° x 9°	4218	27691	58.5	3553	23318	49.3
		VF	9° x 39°	4250	29434	58.8	3580	24794	49.7

Multipliers		
KFL	RGBW	RGBWW
Red	0.44	0.52
Green	0.94	1.11
Blue	0.17	0.20
White	1.00	1.00

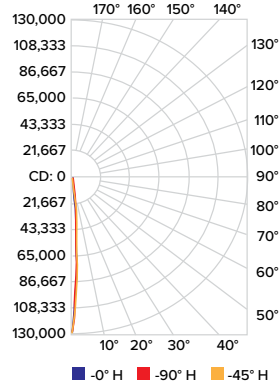
PHOTOMETRY

KFL3-33L-75-RGBW-NS

LUMINAIRE DATA

Description	5700K
Delivered Lumens	4077
Watts	72.16
Efficacy	56.5
Beam Angles (H x V)	6.6° x 6.6°
Center Beam Candlepower	129062

POLAR CANDELA DISTRIBUTION



ILLUMINANCE AT A DISTANCE

	Center Beam fc	Beam Width
8.3 ft	1,873.00 fc	1.0 ft
16.7 ft	463.00 fc	1.9 ft
25.0 ft	206.00 fc	2.9 ft
33.3 ft	116.00 fc	3.8 ft
41.7 ft	74.20 fc	4.8 ft
50.0 ft	51.60 fc	5.8 ft

■ Vertical Spread: 6.6°

LUMENS PER ZONE

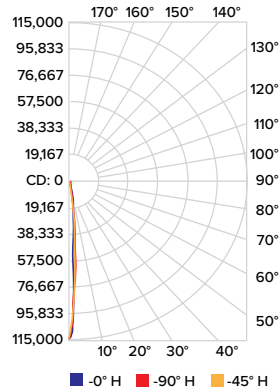
Zone	Lumens	% Total
0-10	2,751.30	66.40%
10-20	702.00	16.90%
20-30	435.8	10.50%
30-40	187.9	4.50%
40-50	44	1.10%
50-60	13.4	0.30%
60-70	6.7	0.20%
70-80	3.6	0.10%
80-90	1.2	0.00%

KFL3-33L-75-RGBW-SP

LUMINAIRE DATA

Description	5700K
Delivered Lumens	4147
Watts	72.23
Efficacy	57.4
Beam Angles (H x V)	8.2° x 7.6°
Center Beam Candlepower	114821

POLAR CANDELA DISTRIBUTION



ILLUMINANCE AT A DISTANCE

	Center Beam fc	Beam Width
8.3 ft	1,667.00 fc	1.1 ft 1.2 ft
16.7 ft	412.00 fc	x 2.4 ft
25.0 ft	184.00 fc	2.2 ft 3.6 ft
33.3 ft	104.00 fc	3.3 ft 4.8 ft
41.7 ft	66.00 fc	4.4 ft 6.0 ft
50.0 ft	45.90 fc	5.5 ft 7.2 ft

■ Vertical Spread: 7.6° ■ Horizontal Spread: 8.2°

LUMENS PER ZONE

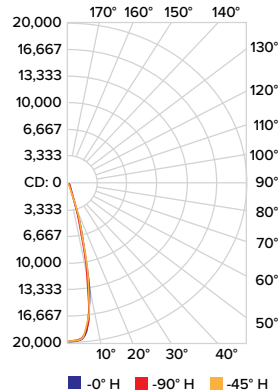
Zone	Lumens	% Total
0-10	2,903.90	68.90%
10-20	623.10	14.80%
20-30	411.7	9.80%
30-40	198.2	4.70%
40-50	51.5	1.20%
50-60	13	0.30%
60-70	6.6	0.20%
70-80	3.6	0.10%
80-90	1.2	0.00%

KFL3-33L-75-RGBW-N

LUMINAIRE DATA

Description	5700K
Delivered Lumens	4216
Watts	72.14
Efficacy	58.4
Beam Angles (H x V)	24.9° x 24.4°
Center Beam Candlepower	19765

POLAR CANDELA DISTRIBUTION



ILLUMINANCE AT A DISTANCE

	Center Beam fc	Beam Width
8.3 ft	284.00 fc	3.6 ft 3.7 ft
16.7 ft	70.20 fc	7.2 ft 7.4 ft
25.0 ft	31.30 fc	10.8 ft 11.1 ft
33.3 ft	17.70 fc	14.4 ft 14.7 ft
41.7 ft	11.30 fc	18.0 ft 18.4 ft
50.0 ft	7.83 fc	21.6 ft 22.1 ft

■ Vertical Spread: 24.4° ■ Horizontal Spread: 24.9°

LUMENS PER ZONE

Zone	Lumens	% Total
0-10	1,688.60	40.00%
10-20	1,714.20	40.60%
20-30	461.20	10.90%
30-40	221.4	5.20%
40-50	90.3	2.10%
50-60	31.6	0.70%
60-70	11.5	0.30%
70-80	4.7	0.10%
80-90	1.3	0.00%

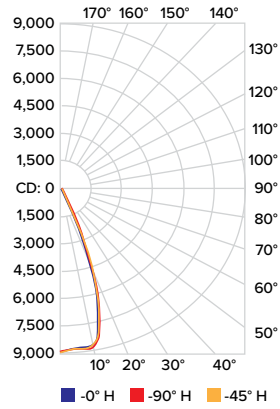
PHOTOMETRY CONTINUED

KFL3-33L-75-RGBW-M

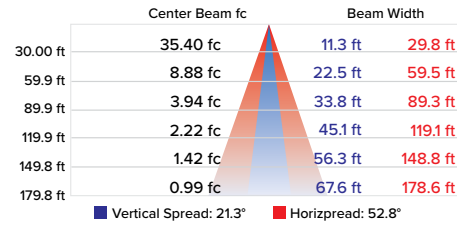
LUMINAIRE DATA

Description	5700K
Delivered Lumens	4058
Watts	71.97
Efficacy	56.4
Beam Angles (H x V)	39.2° x 38.9°
Center Beam Candlepower	8902

POLAR CANDELA DISTRIBUTION



ILLUMINANCE AT A DISTANCE



LUMENS PER ZONE

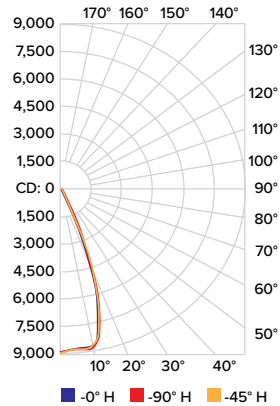
Zone	Lumens	% Total
0-10	842.2	20.70%
10-20	1,937.50	47.70%
20-30	875.10	21.50%
30-40	254.30	6.30%
40-50	98.5	2.40%
50-60	34.8	0.90%
60-70	13.3	0.30%
70-80	5.3	0.10%
80-90	1.4	0.00%

KFL3-33L-75-RGBW-MF

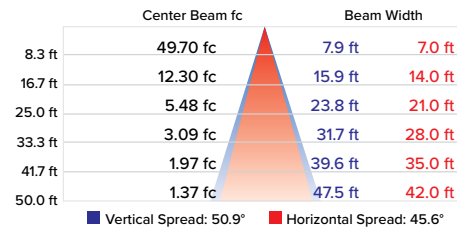
LUMINAIRE DATA

Description	5700K
Delivered Lumens	3487
Watts	71.9
Efficacy	48.5
Beam Angles (H x V)	45.6° x 50.9°
Center Beam Candlepower	4078

POLAR CANDELA DISTRIBUTION



ILLUMINANCE AT A DISTANCE



LUMENS PER ZONE

Zone	Lumens	% Total
0-10	348.9	10.00%
10-20	1,020.00	29.20%
20-30	962.5	27.60%
30-40	647.5	18.60%
40-50	359.9	10.30%
50-60	109.1	3.10%
60-70	27.3	0.80%
70-80	11.2	0.30%
80-90	3.6	0.10%

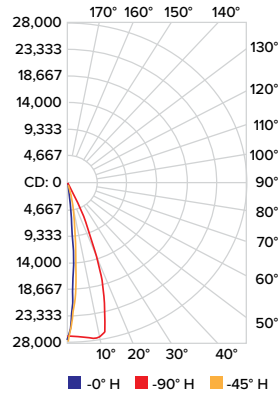
PHOTOMETRY CONTINUED

KFL3-33L-75-RGBW-HF

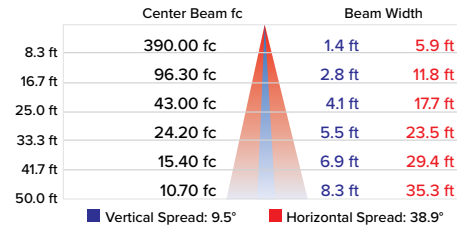
LUMINAIRE DATA

Description	5700K
Delivered Lumens	4218
Watts	72.15
Efficacy	58.5
Beam Angles (H x V)	39° x 9.5°
Center Beam Candlepower	27691

POLAR CANDELA DISTRIBUTION



ILLUMINANCE AT A DISTANCE



LUMENS PER ZONE

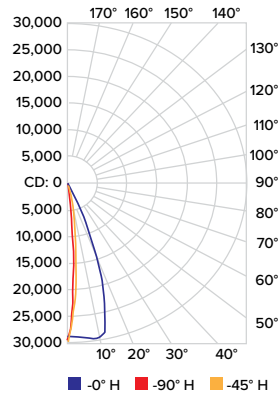
Zone	Lumens	% Total
0-10	1,460.40	34.50%
10-20	1,745.30	41.20%
20-30	695.3	16.40%
30-40	216.5	5.10%
40-50	76.5	1.80%
50-60	25.6	0.60%
60-70	9.7	0.20%
70-80	4.3	0.10%
80-90	1.3	0.00%

KFL3-33L-75-RGBW-VF

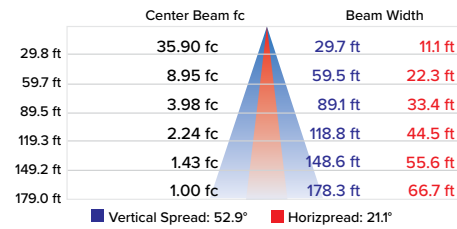
LUMINAIRE DATA

Description	5700K
Delivered Lumens	4250
Watts	72.27
Efficacy	58.8
Beam Angles (H x V)	8.6° x 39°
Center Beam Candlepower	29434

POLAR CANDELA DISTRIBUTION



ILLUMINANCE AT A DISTANCE



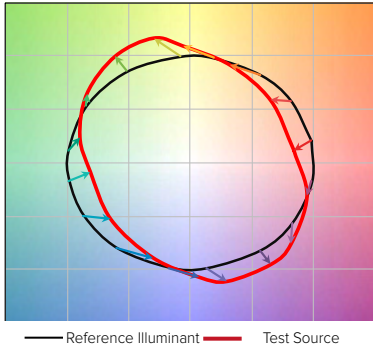
LUMENS PER ZONE

Zone	Lumens	% Total
0-10	1,466.70	34.40%
10-20	1,774.20	41.60%
20-30	688.1	16.10%
30-40	217.4	5.10%
40-50	79.9	1.90%
50-60	27.5	0.60%
60-70	10.1	0.20%
70-80	4	0.10%
80-90	1.2	0.00%

KFL3RGBW
ARCHITECTURAL RGBW FLOOD

TM-30 DATA

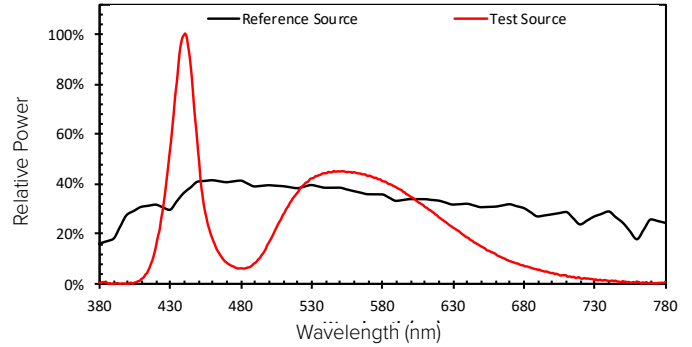
COLOR VECTOR GRAPHIC



TEST SOURCE

R _f	64
R _g	98
CCT(K)	6127
D _{uv}	-0.0005
x	0.3198
y	0.3286
CIE R _a	69

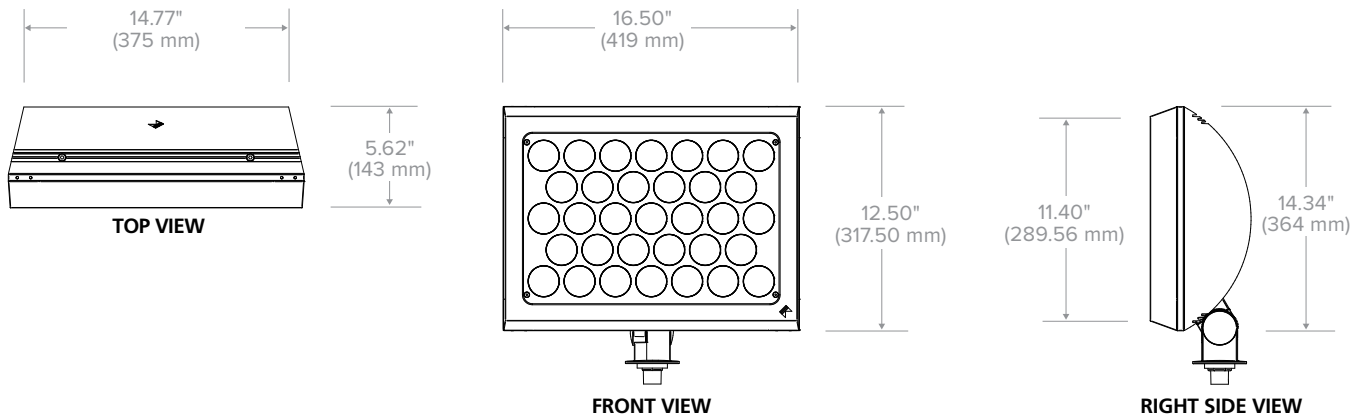
SPECTRAL POWER DISTRIBUTION COMPARISON



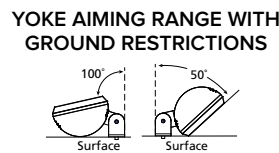
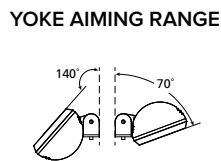
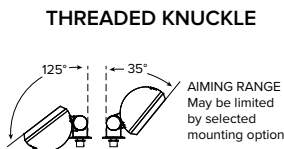
ELECTRICAL DATA

Electrical										
Light Engine	System Watts	Drive Current	Line Voltage		Amps AC					
			VAC	Hz	120	208	240	277	347	480
33L	75	1650 mA	120-480	50/60	1.08	0.62	0.54	0.47	0.37	0.27

DIMENSIONS



AIMING RANGE



KFL3RGBW

ARCHITECTURAL RGBW FLOOD

PRODUCT EXCEPTIONS & DETAILS

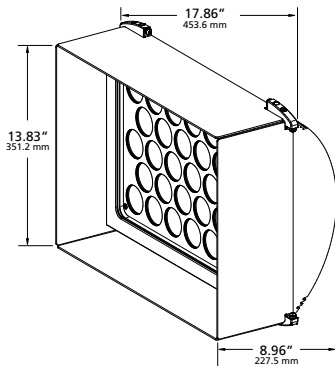
OPTICAL OPTIONS

BARN DOORS (BD)

- Formed 3/32" thick aluminum. Each door is hinged to a cast, low copper (<0.6% Cu) aluminum frame, and locks by set screws. Doors are individually removable. Barn Door assembly mounts to predrilled door frame holes. Assembly will be painted to match fixture housing.

CAUTION:

- Not recommended for ground mounted fixtures in vandal prone areas.

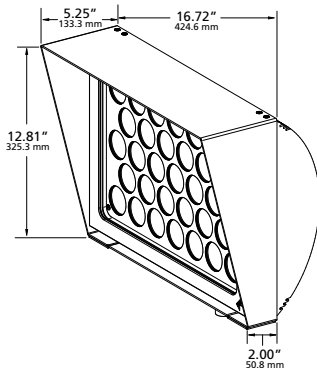


HALF GLARE SHIELD (HS)

- Formed 3/32" thick aluminum. Mounts to predrilled door frame holes. Can be mounted along the top or bottom of the fixture to shield the lamp and lens from view. Assembly will be painted to match fixture housing.

CAUTION:

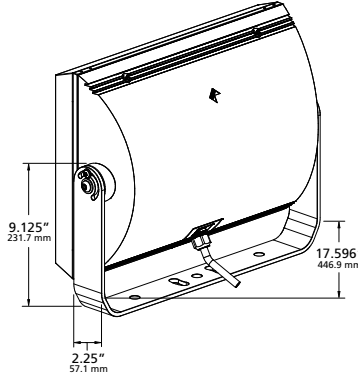
- Not recommended for ground mounted fixtures in vandal prone areas.



MOUNTING OPTIONS

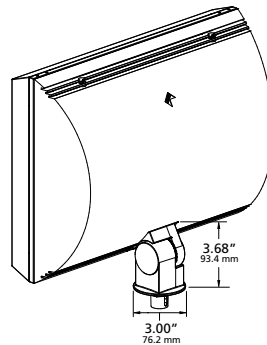
ARCHITECTURAL YOKE (Y)

- Architectural Yoke Mount used for surface mounting applications. Secured to surface using three 1/4" bolts.
- Yoke is stainless steel material with powder coating finish.



THREADED KNUCKLE (K)

- Threaded Knuckle is die-cast aluminum with integral locking teeth providing 5° adjustment intervals. Stainless steel allen-head screw with spring locking washer and 1/2" NPSM. Clear anodized prior to chromate conversion coating for added corrosion resistance.
- Threaded Knuckle mounting used in conjunction with mounting accessories listed on page 1.

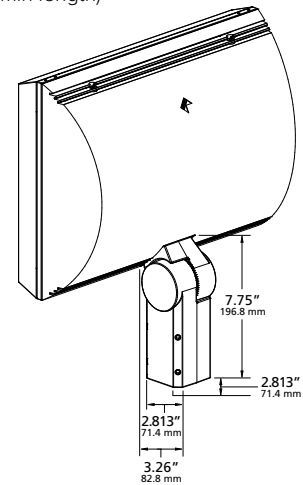


SLIPFITTER KNUCKLE (S)

- Slipfitter Knuckle is die-cast aluminum with integral locking teeth providing 5° adjustment intervals. Stainless steel hardware Allen-head screw with spring locking washer and four set screws. Clear anodized prior to chromate conversion coating for added corrosion resistance

NOTE:

- Slips over 2" pipe-size tenon (2 3/8" O.D. x 3 1/2" min length)



KFL3RGBW

ARCHITECTURAL RGBW FLOOD

PRODUCT EXCEPTIONS & DETAILS CONTINUED

MOUNTING ACCESSORIES

BRASS IN-GRADE ARCHITECTURAL JUNCTION BOX (THREADED KNUCKLE MOUNT ONLY)

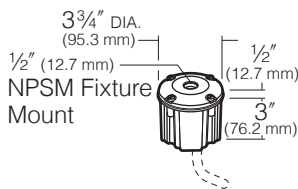
JBR-2 (2) 1/2" NPT in bottom

JBR-3. (2) 3/4" NPT in bottom

JBR21 (2) 1/2" NPT in sides (2) 1/2" NPT in bottom

JBR24 (4) 1/2" NPT in sides (2) 1/2" NPT in bottom

Die-cast brass with 1/2" NPSM fixture mount and die-cast cover. Internal set screw provided for locking position. 21 cu in. internal volume. NOTE: All side taps provided with plugs. Creates a flush-mounted appearance. May be cast in concrete for increased stability. **CAUTION:** Fixture stem and swivel must not contact soil or standing water. Provide drainage away from junction box.



COMPOSITE IN-GRADE ARCHITECTURAL JUNCTION BOX

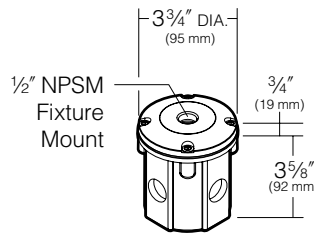
JBR-4 (2) 1/2" NPT knock-outs in bottom (4) 1/2" NPT knock-outs on sides at 90°

JBR-5 Same as above but with brass cover

Composite box with 1/2" NPSM fixture mount and composite cover. Internal set screw provided for locking position. 19 cu in. internal volume.

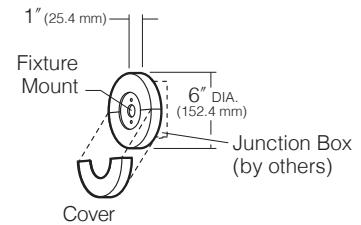
NOTE: May also be used to hard mount low voltage fixtures.

CAUTION: Fixture stem and swivel must not contact soil or standing water. Provide drainage away from junction box.



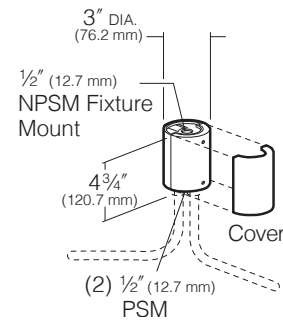
WALL OR CEILING MOUNT (WM) (THREADED KNUCKLE MOUNT ONLY)

Electro zinc steel mounting plate adapts to standard 4" square or octagonal Junction Boxes. Fixture mounts to cast low copper (<0.6% Cu) aluminum upper cover which attaches to mounting plate. Lower cover half provides splice access. Dielectric sealing compound provided for wall interface.



ARCHITECTURAL JUNCTION BOX (JB1) (THREADED KNUCKLE MOUNT ONLY)

Die-cast, low copper (<0.6% Cu) anodized aluminum with 1/2" NPSM fixture mount. Internal set screw provided for locking position. Two 1/2" NPSM in bottom, 17 cu in. internal volume. **CAUTION:** Junction Box must be installed high enough to avoid contact with soil or standing water.

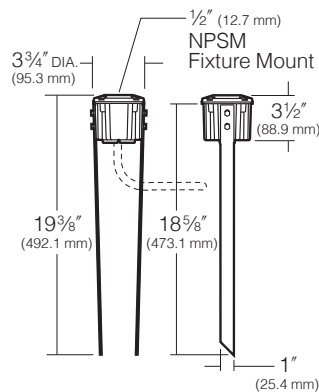


BRASS IN-GRADE STAKED JUNCTION BOX (THREADED KNUCKLE MOUNT ONLY)

JBR-30 (2) 1/2" NPT in bottom, (2) 19" long stakes Brass In-Grade Staked Junction Box

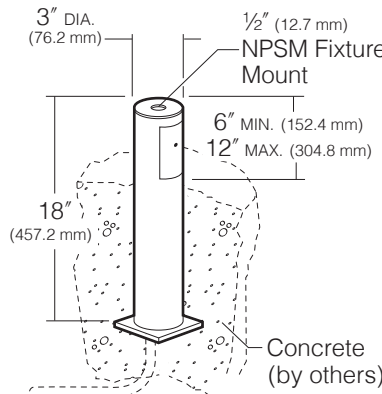
JBR-32. (2) 19" long stakes

Die-cast brass with 1/2" NPSM fixture mount and die-cast cover. Internal set screw provided for locking position. 21 cu in. internal volume. Creates a flush-mounted appearance. May be cast in concrete for increased stability. **CAUTION:** To assure a rigid installation, Staked Junction Box must be set in concrete (by others). Fixture stem and swivel must not contact soil or standing water. Provide drainage away from junction box.



STANCHION MOUNT (SM18) (THREADED KNUCKLE MOUNT ONLY)

3" O.D. by .188" wall cast low copper (<0.6% Cu) aluminum with 1/2" NPSM fixture mount and hand hole with flush cover. Internal set screw fixture lock accessible through hand hole. Internal ground lug supplied with installed lead. **CAUTION:** To assure a rigid installation, stanchion must be set in concrete (by others).

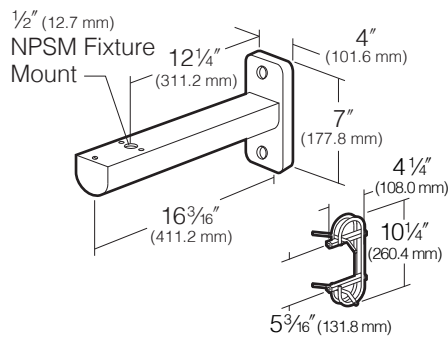


PRODUCT EXCEPTIONS & DETAILS CONTINUED

MOUNTING ACCESSORIES

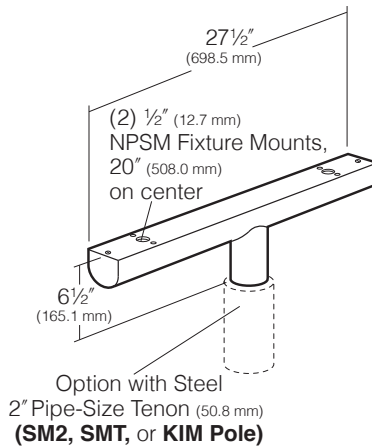
**WALL MOUNT (WM1)
(THREADED KNUCKLE MOUNT ONLY)**

- Extruded aluminum arm with a removable end cap for wiring access. Arm is welded to a cast aluminum plate with two 1/2" dia. mounting holes. Optional Wall Embedment Bracket (WEB) provides 3/8-16 bolt receptacles welded in a galvanized re-bar cage for casting into poured-in-place concrete walls. Bolt receptacles receive fixture attachment bolts. Component EPA: 0.3.



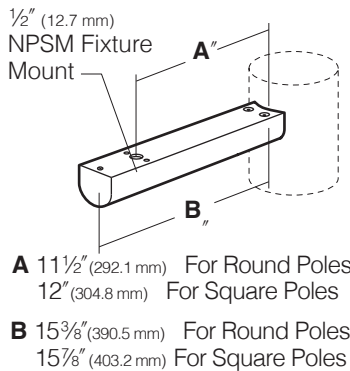
**TWIN MOUNT (TM2)
(THREADED KNUCKLE MOUNT ONLY)**

- Extruded aluminum arm. Internal set screw fixture locks. Can be mounted on a SM2, SMT, or Steel Kim Pole with steel 2" pipe-size tenon (2-3/8" O.D. x 3-1/2" min. length). Removable end caps for wiring access. CAUTION: Approved for mounting to poles with steel tenons only. Component EPA: 0.6.



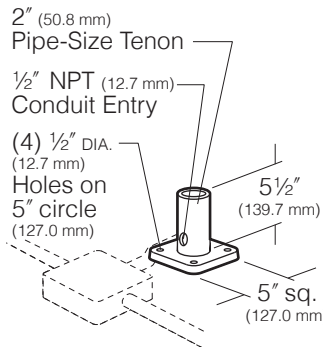
**SIDE POLE MOUNT (SPM-X)
(THREADED KNUCKLE MOUNT ONLY)**

- Available for Round and Square Poles. Extruded aluminum arm. Internal set screw fixture lock. Removable end cap for wiring access. For use with other Kim Site/Roadway Luminaires as an additional mid-pole floodlight. X in Side Pole Mount Cat. No. indicates 3", 3-1/2", 4", 5" or 6" pole dia. Example: SPM-4/BL is for 4" round pole with Black finish. For square poles, omit -X. **NOTE:** Field drilling of Poles is required. Component EPA: 0.3.



**SURFACE MOUNT TENON (SMT/BL)
(2" TENON FOR OPTIONAL HEAVY DUTY SWIVEL MOUNT ONLY)**

- 2" pipe-size tenon (2-3/8" O.D., 2" I.D.) welded to a cast aluminum plate. Plate has four 1/2" mounting holes, and tenon has one 1/2" NPT for side conduit entry. Black finish. **NOTE:** Not for use with PT2, M2B, or M3E options. May be wall mounted if horizontal fixture adjustment is not required. For wall mounting with horizontal fixture adjustment, use WM2.



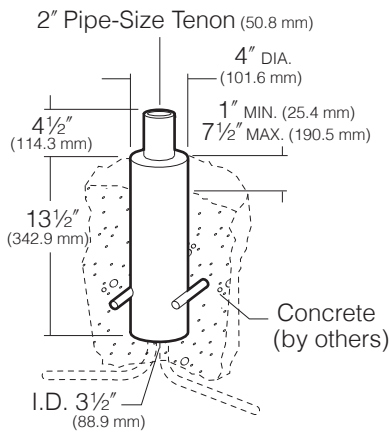
PRODUCT EXCEPTIONS & DETAILS CONTINUED

MOUNTING ACCESSORIES

**STANCHION MOUNT TENON (SM2/BL)
(2" TENON FOR OPTIONAL HEAVY DUTY
SWIVEL MOUNT ONLY)**

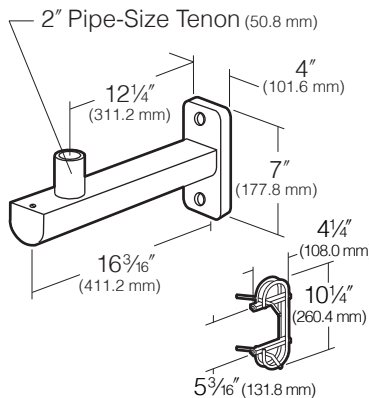
- 4" O.D. cast low copper (<0.6% Cu) aluminum stanchion with 2" pipe-size tenon (2-3/8" O.D., 1-3/8" I.D.) for mounting a single fixture or multiple top-mounts. Black finish.

CAUTION: Multiple top-mounts must not be used in locations where people can climb on fixtures and mounting arms. To assure a rigid installation, stanchion must be set in concrete (by others).



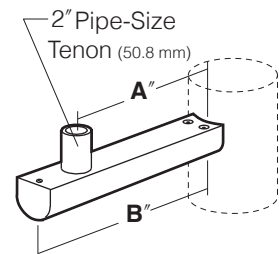
**WALL MOUNT TENON (WM2)
(2" TENON FOR OPTIONAL HEAVY DUTY
SWIVEL MOUNT ONLY)**

- 2" pipe-size tenon (2-3/8" O.D., 2" I.D.) welded to an extruded aluminum arm with a removable end cap for wiring access. Arm is welded to a cast aluminum plate with two 1/2" mounting holes. Optional Wall Embedment Bracket (WEB) provides 3/8-16 bolt receptacles welded in a galvanized re-bar cage for casting into poured-in-place concrete walls. Bolt receptacles receive fixture attachment bolts. Component EPA: 0.3.



**SIDE POLE MOUNT TENON (SPT-X)
(2" TENON FOR OPTIONAL HEAVY DUTY
SWIVEL MOUNT ONLY)**

- Available for Round and Square Poles. Extruded aluminum arm with one 2" pipe-size tenon (2-3/8" O.D., 2" I.D.). Removable end cap for wiring access. For use with other Kim Site/Roadway Luminaires as an additional mid-pole floodlight. X in Side Pole Mount Cat. No. indicates 3", 3-1/2", 4", 5" or 6" pole dia. Example: SPM-4/BL is for 4" round pole with Black finish. For square poles, omit -X. **NOTE:** Field drilling of Poles is required. Not for use with PT2 option. Component EPA: 0.3.

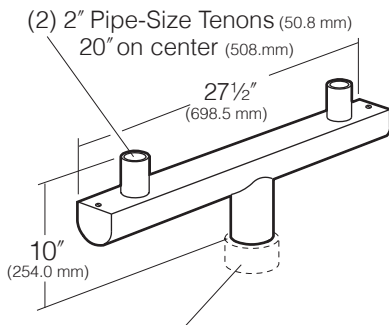


- A** 11 1/2" (292.1 mm) For Round Poles
12" (304.8 mm) For Square Poles
- B** 15 3/8" (390.5 mm) For Round Poles
15 7/8" (403.2 mm) For Square Poles

**TWIN MOUNT TENON (M2B)
(2" TENON FOR OPTIONAL HEAVY DUTY
SWIVEL MOUNT ONLY)**

- Extruded aluminum arm with two 2" pipe-size tenons (2-3/8" O.D., 2" I.D.). Can be mounted on a SM2, SMT, or Steel Kim Pole with a steel 2" pipe-size tenon (2-3/8" O.D. x 3-1/2" min. length). Removable end caps for wiring access.

CAUTION: Approved for mounting to poles with steel tenons only. Not for use with PT2 option. Component EPA: 0.6.

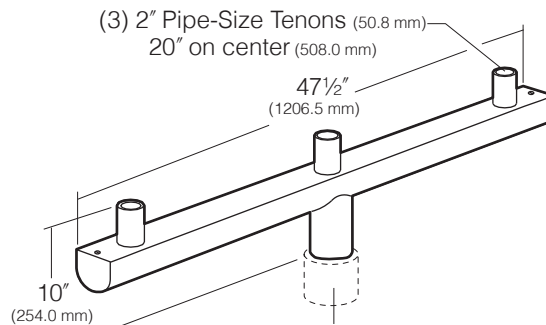


Option with Steel
2" Pipe-Size Tenon (50.8 mm)
(SM2, SMT or Steel KIM Pole)

**TRIPLE MOUNT TENON (M3E)
(2" TENON FOR OPTIONAL HEAVY DUTY
SWIVEL MOUNT ONLY)**

- Extruded aluminum arm with three 2" pipe-size tenons (2-3/8" O.D., 2" I.D.). Can be mounted on a SM2, SMT, or Steel Kim Pole with steel 2" pipe-size tenon (2-3/8" O.D. x 3-1/2" min. length). Removable end caps for wiring access.

CAUTION: Approved for mounting to poles with steel tenons only. Not for use with PT2 option. Component EPA: 1.0.



Option with Steel
2" Pipe-Size Tenon (50.8 mm)
(SM2, SMT or Steel KIM Pole)