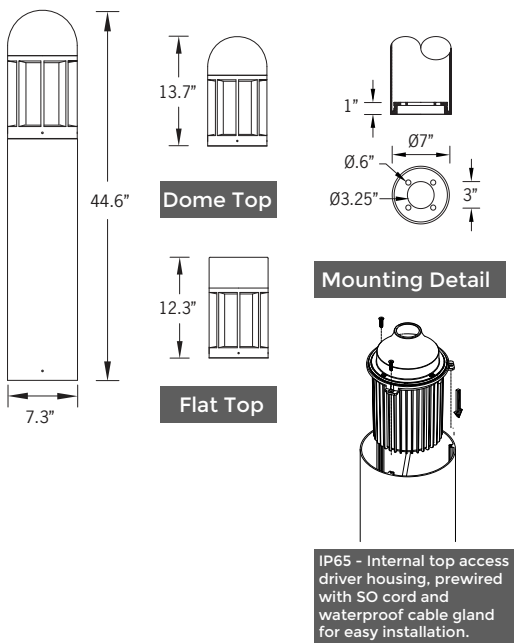


# UAA-10107

## Atlantic 2 Bollard



41w COB - 1602 Lumens | 29w COB 1133 Lumens  
 IP65 • Suitable For Wet Locations  
 IK08 • Impact Resistant (Vandal Resistant)  
 Weight 21 lbs



### Construction

**Aluminum**  
 Less than 0.1% copper content – Marine Grade 6060 extruded & LM6 Aluminum High Pressure die casting provides excellent mechanical strength, clean detailed product lines and excellent heat dissipation.

**Pre paint**  
 8 step decrease and phosphate process that includes deoxidizing and etching as well as a zinc and nickel phosphate process before product painting.

**Memory Retentive -Silicon Gasket**  
 Provided with special injection molded "fit for purpose" long life high temperature memory retentive silicon gaskets. Maintains the gaskets exact profile and seal over years of use and compression.

**Thermal management**  
 LM6 Aluminum is used for its excellent mechanical strength and thermal dissipation properties in low and high ambient temperatures. The superior thermal heat sink design by Ligman used in conjunction with the driver, controls thermals below critical temperature range to ensure maximum luminous flux output, as well as providing long LED service life and ensuring less than 10% lumen depreciation at 50,000 hours.

**Surge Suppression**  
 Standard 10kv surge suppressor provided with all fixtures.

**BUC Rating**  
 B1 - U4 -G1

**Finishing**  
 All Ligman products go through an extensive finishing process that includes fettling to improve paint adherence.

**Paint**  
 UV Stabilized 4.9Mil thick powder coat paint and baked at 200 Deg C. This process ensures that Ligman products can withstand harsh environments. Rated for use in natatoriums.

**Inspired by Nature Finishes**  
 The Inspired by nature Finishing is a unique system of decorative powder coating. Our metal decoration process can easily transform the appearance of metal or aluminum product into a wood grain finish.

This patented technology enables the simulation of wood grain, and even marble or granite finish through the use of decorative powder coating.

The wood grain finish is so realistic that it's almost undistinguishable from real wood, even from a close visual inspection. The system of coating permeates the entire thickness of the coat and as a result, the coating cannot be removed by normal rubbing, chipping, or scratching.

**The Coating Process**  
 After pre-treatment the prepared parts are powder coated with a specially formulated polyurethane powder. This powder provides protection against wear, abrasion, impact and corrosion and acts as the relief base color for the finalized metal decoration.

The component is then wrapped with a sheet of non-porous film with the selected decoration pattern printed on it using special high temperature inks.

This printed film transfer is vacuum-sealed to the surface for a complete thermo print and then transferred into a customized oven. The oven transforms the ink into different forms within the paint layer before it becomes solid. Finally, the film is removed, and a vivid timber look on aluminum remains.

Wood grain coating can create beautiful wood-looking products of any sort. There are over 300 combinations of designs currently in use. Wood grains can be made with different colors, designs, etc.

Our powder coatings are certified for indoor and outdoor applications and are backed by a comprehensive warranty. These coatings rise to the highest conceivable standard of performance excellence and design innovation.

- Added Benefits**
- Resistance to salt-acid room, accelerated aging
  - Boiling water, lime and condensed water resistant
  - Anti-Graffiti, Anti-Slip, Anti-Microbial, Anti-Scratch
  - Super durable (UV resistant)
  - TGIC free (non-toxic)

**Hardware**  
 Provided Hardware is Marine grade 316 Stainless steel.

**Anti Seize Screw Holes**  
 Tapped holes are infused with a special anti seize compound designed to prevent seizure of threaded connections, due to electrolysis from heat, corrosive atmospheres and moisture.

**Opal Borosilicate Glass Lens**  
 Provided with opal borosilicate impact resistant glass.

**Optics & LED**  
 Precise optic design provides exceptional light control and precise distribution of light.  
 LED CRI > 80

**Lumen - Maintenance Life**  
 L80 /B10 at 50,000 hours (This means that at least 90% of the LED still achieve 80% of their original flux)

### Classic urban neighborhood bollard luminaire family. Timeless lines coupled with unparalleled build quality, flexibility and performance.

A decorative bollard with a symmetrical light distribution. Developed to complement the Atlantic range of pillar lights, post top and wall light luminaires. Designed for various applications including entrances, gardens, precincts and pathways.

Low copper content corrosion resistant extruded die-cast aluminum column. 316 Stainless steel hardware, durable silicone rubber gasket and impact resistant tempered opal diffuser. The luminaire is treated with a chemical nickel and zinc phosphate protection before powder coating (4.9 mil thickness), ensuring high corrosion resistance. Integral control gear.

This fixture is provided with an integrated waterproof driver box at the top of the bollard that ensures that the electrical components are protected from water and dust. This fixture is prewired to the base of the bollard facilitated easy electrical connections onsite. A laser cut anchor bolt template is provided for accurate anchor bolt installation. Options of house side shields and GFCI boxes are available. Please contact the factory for more information.

**Security Bollard:**  
 The Atlantic Bollard is available as a traffic rated security bollard. This optional design includes a 1/4" wall thickness galvanized steel security pole with 2 1" galvanized cross support rods that are embedded into concrete.

The standard security bollard provides restraint of vehicular traffic in unauthorized areas. Impact calculations shows this bollard will stop a 5,500lb/2.75 tons vehicle, travelling at 30mph. For additional strength, the galvanized pole can be filled with concrete up to the waterproof driver housing to provide a solid concrete barrier.

A K4 rated security bollard is also available. This bollard is provided with internal reinforcement and must be filled with concrete at the job site by others. This bollard will stop a 15,000lb vehicle traveling at 30mph.

### Additional Options (Consult Factory For Pricing)

<b>180</b> Asymmetrical 180° Emission	<b>180L</b> Asymmetrical 180° with Lightblade	<b>90</b> Asymmetrical 90° + 90° Emission
<b>A91591</b> Lockable In Use GFCI Receptacle Outlet Box		
<b>A12891</b> Security Bollard	<b>SBK4</b> K4 Rated Security Bollard	<b>Internal Shaft Light</b>

# UAA-10107

Atlantic 2 Bollard

<b>PROJECT</b>		<b>DATE</b>	
----------------	--	-------------	--

<b>QUANTITY</b>		<b>TYPE</b>		<b>NOTE</b>	
-----------------	--	-------------	--	-------------	--

ORDERING EXAMPLE || UAA - 10107 - 41w - 1 - W30 - 02 - 120/277v - Options

<b>UAA-10107</b>					
<b>LAMP</b>	<b>TOP</b>	<b>LED COLOR</b>	<b>FINISH COLOR</b>	<b>VOLTAGE</b>	

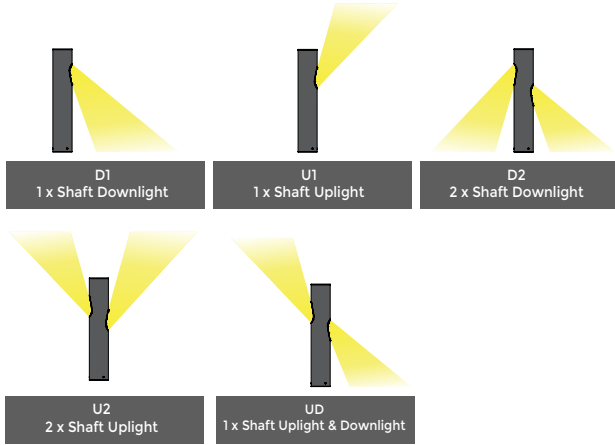
<p>41w COB 1602 Lumens</p> <p>29w COB 1133 Lumens</p>	<p>1 - Dome Top </p> <p>2 - Flat Top </p>	<p>W27 - 2700K</p> <p>W30 - 3000K</p> <p>W35 - 3500K</p> <p>W40 - 4000K</p>	<p>01 - BLACK RAL 9011</p> <p>02 - DARK GREY RAL 7043</p> <p>03 - WHITE RAL 9003</p> <p>04 - METALLIC SILVER RAL 9006</p> <p>05 - MATTE SILVER RAL 9006</p> <p>06 - LIGMAN BRONZE</p> <p>07 - CUSTOM RAL</p>	<p>120/277v</p> <p>Other - Specify</p>
---	---	---	--	--

--	--	--

## ADDITIONAL OPTIONS

- |   |   |
|---|---|
| <p><b>DIM</b> - 0-10v Dimming</p> <p><b>NAT</b> - Natatorium Rated</p> <p><b>GFCI</b> - GFCI Box</p> <p><b>HGT</b> - Custom Height (SPECIFY HEIGHT)</p> | <p><b>180</b> - 180° Emission</p> <p><b>90</b> - 90°+ 90° Emission</p> <p><b>180L</b> - 180° Emission w/ Lightblade</p> <p><b>A91591</b> - Lockable In Use GFCI Receptacle Outlet Box</p> |
|---|---|

### Internal Shaft Light Options



### INSPIRED BY NATURE FINISHES

- |  |   |
|--|---|
| <p>SW01 - OAK FINISH</p> <p>SW02 - WALNUT FINISH</p> <p>SW03- PINE FINISH</p> <p>DF - DOUGLAS FIR FINISH</p> <p>CW - CHERRY WOOD FINISH</p> <p>NW - NATIONAL WALNUT FINISH</p> <p>SU01 - CONCRETE FINISH</p> <p>SU02 - SOFTSCAPE FINISH</p> <p>SU03 - STONE FINISH</p> <p>SU04 - CORTEN FINISH</p> | <p>THERE IS AN ADDITIONAL COST FOR THESE FINISHES</p> |
|--|---|

## More Custom Finishes Available Upon Request

Consult factory for pricing and lead times



# Atlantic Product Family



Atlantic 1

- UAA-10076-41w-1454lm [Ø6.3"- 30.3"/29.6"]
- UAA-10086-41w-1454lm [Ø6.3"- 19.6"/18.8"]
- UAA-70077-41w-1454lm [Ø6.3"- 42.4"/41.6"]



Atlantic 2

- UAA-10096-41w-1602lm [Ø7.3"- 32.6"/31.3"]
- UAA-10106-41w-1602lm [Ø7.3"- 44.6"/43.3"]
- UAA-70087-41w-1602lm [Ø7.3"- 21.9"/20.6"]



Atlantic 3

- UAA-20046-29w-1105lm



Atlantic 4

- UAA-20076-41w-2632lm



Atlantic 5

- UAA-20166-41w-2632lm



Atlantic 7

- UAA-30146-29w-1105lm



Atlantic 8

- UAA-30156-41w-2632lm



Atlantic 9

- UAA-30186-41w-2632lm



Atlantic 13

- UAA-95016-41w-2632lm