

Odessa 18 Large Ceiling Downlight



Construction

Aluminum Casting

Less than 0.1% copper content – Marine Grade 6060 extruded & LM6 Aluminum High Pressure die casting provides excellent mechanical strength, clean detailed product lines and excellent heat dissipation.

Pre paint

8 step degrease and phosphate process that includes deoxidizing and etching as well as a zinc and nickel phosphate process before product painting.

Memory Retentive -Silicon Gasket

Provided with special injection molded “fit for purpose” long life high temperature memory retentive silicon gaskets. Maintains the gaskets exact profile and seal over years of use and compression.

Thermal management

LM6 Aluminum is used for its excellent mechanical strength and thermal dissipation properties in low and high ambient temperatures. The superior thermal heat sink design by Ligman used in conjunction with the driver, controls thermals below critical temperature range to ensure maximum luminous flux output, as well as providing long LED service life and ensuring less than 10% lumen depreciation at 50,000 hours.

Surge Suppression

Standard 10kv surge suppressor provided with all fixtures.

BUG Rating

B3 - U0 - G1

Finishing

All Ligman products go through an extensive finishing process that includes fettling to improve paint adherence.

Paint

UV Stabilized 4.9Mil thick powder coat paint and baked at 200 Deg C. This process ensures that Ligman products can withstand harsh environments. Rated for use in natatoriums.

Hardware

Provided Hardware is Marine grade 316 Stainless steel.

Anti Seize Screw Holes

Tapped holes are infused with a special anti seize compound designed to prevent seizure of threaded connections, due to electrolysis from heat, corrosive atmospheres and moisture.

Crystal Clear Low Iron Glass Lens

Provided with tempered, impact resistant crystal clear low iron glass ensuring no green glass tinge.

Optics & LED

Precise optic design provides exceptional light control and precise distribution of light. LED CRI > 80

Lumen - Maintenance Life

L80 /B10 at 50,000 hours (This means that at least 90% of the LED still achieve 80% of their original flux)

Surface ceiling-mounted decorative exterior downlights. Naturally beautiful and unique contemporary family, Odessa packs a punch with an abundance of options and accessories.

The Odessa family of floodlights have a modern aesthetic design and are a perfect lighting solution for most small to large size cylinder requirements where a robust, totally waterproof product is required.

This small, medium and large range of high performance LED ceiling mounted cylinder provides a robust design for demanding applications such as recreational areas, public spaces and architectural structures.

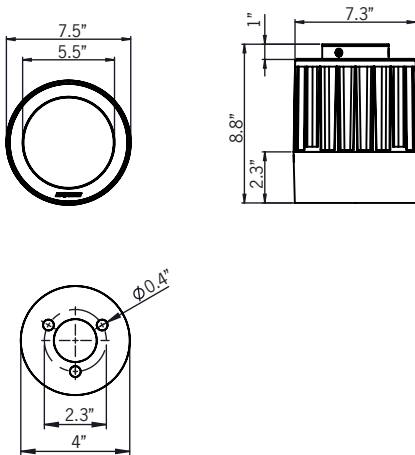
The luminaire has integrated heat sinks to facilitate LED cooling, as well as an integral driver. The Odessa is available in Very Narrow, Narrow, Medium, Wide and Very Wide light distributions. Color temperature 2700K, 3000K, 3500K and 4000K.

Luminaire has optional accessories, such as visors, louvres, colored dichroic filters and linear spread lenses. For non standard fixture variations, as well as specific reflector requirements and dichroic filters, please contact the factory.

This luminaire is suitable for open trellis, ceiling mount, pendant and catenary. This luminaire is waterproof and resistant to water and dust entering from above.

To meet International Dark Sky criteria, 3000k or warmer LEDs must be selected.

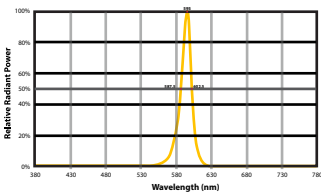
UOD-80031 - 60w COB 5000lm
 UOD-80033 - 44w COB 3665lm
 IP66 • Suitable For Wet Locations
 IK08 • Impact Resistant (Vandal Resistant)
 Weight 14 lbs



Mounting Detail

CITY OF FLAGSTAFF & TURTLE FRIENDLY COMPLIANT

AMB Spectral Diagram



Narrow-Spectrum Amber LEDs

Peak wavelength between 585 & 595 nanometers and a full width of 50% power no greater than 15 nanometers.

Additional Options (Consult Factory For Pricing)



A54331
Anti Glare Visor



A51814
Linear Spread



A54531
Anti Glare Louvre



A54121
Honeycomb Louvre



Odessa catenary option



Odessa 18 Large Ceiling Downlight

PROJECT	<input type="text"/>	DATE	<input type="text"/>
QUANTITY	<input type="text"/>	TYPE	<input type="text"/>
NOTE	<input type="text"/>		

ORDERING EXAMPLE || UOD-80031 - 60w - VN - W30 - 03 - 120/277v

UOD-8003X	LAMP	BEAM	LED COLOR	FINISH COLOR	VOLTAGE
UOD-80031	60w COB 5854 Lumens	VN - Very Narrow Beam 8°	W27 - 2700K  W30 - 3000K 	01 - BLACK RAL 9011 02 - DARK GREY RAL 7043 03 - WHITE RAL 9003 04 - METALLIC SILVER RAL 9006 05 - MATTE SILVER RAL 9006 06 - LIGMAN BRONZE 07 - CUSTOM RAL	120/277v Other - Specify
UOD-80033	44w COB 3665 Lumens		W35 - 3500K W40 - 4000K		

<input type="text"/>	<input type="text"/>	<input type="text"/>	<input type="text"/>
----------------------	----------------------	----------------------	----------------------

ADDITIONAL OPTIONS

- | | |
|---------------------------------|-------------------------------|
| DIM - 0-10v Dimming | DICHROIC COLOR FILTERS |
| NAT - Natatorium Rated | RD - Red Lens |
| A54431 - Anti Glare Visor | BL - Blue Lens |
| A5181 - Linear Spread Lens | AM - Amber Lens |
| A54531 - Anti Glare Louvre | GR - Green Lens |
| A54121 - Honeycomb Louvre | |
| CAT - Catenary | |
| RSP - Rigid Stem Pendant Mount | |
| AMB - Turtle Friendly Amber LED | |



Odessa Product Family



Odessa 1

- UOD-80001-21w-1688lm
- UOD-80002-11w-816lm



Odessa 2

- UOD-80011-36w-3458lm
- UOD-80012-27w-2005lm



Odessa 1

- UOD-50001-21w-1688lm
- UOD-50002-11w-816lm



Odessa 2

- UOD-50011-36w-3458lm
- UOD-50011-40w-3695lm
- UOD-50011-43w-4042lm
- UOD-50012-27w-2005lm



Odessa 2-G

- UOD-50021-45w-1184lm



Odessa 1

- UOD-50051-21w-1688lm
- UOD-50052-11w-816lm



Odessa 2

- UOD-50061-36w-3458lm
- UOD-50061-40w-3695lm
- UOD-50061-43w-4042lm
- UOD-50062-27w-2005lm



Odessa 2-G

- UOD-50031-45w-1184lm



Odessa 1

- UOD-50071-21w-1688lm
- UOD-50072-11w-816lm



Odessa 2

- UOD-50081-36w-3458lm
- UOD-50081-40w-3695lm
- UOD-50081-43w-4042lm
- UOD-50082-27w-2005lm



Odessa 2-G

- UOD-50041-45w-1184lm



Odessa 1

- UOD-30001-3x21w-3x1673lm
- UOD-30002-3x11w-3x816lm



Odessa 2

- UOD-30011-3x36w-3x3326lm
- UOD-30011-3x40w-3x3695lm
- UOD-30011-3x43w-3x4042lm
- UOD-30012-3x27w-3x2005lm



Odessa 1

- UOD-21001-3x21w-3x1673lm
- UOD-21002-6x21w-6x1673lm
- UOD-21003-3x11w-3x816lm
- UOD-21004-6x11w-6x816lm



Odessa 2

- UOD-21011-3x36w-3x3326lm
- UOD-21011-3x40w-3x3695lm
- UOD-21011-3x43w-3x4042lm
- UOD-21012-6x36w-6x3326lm
- UOD-21012-6x40w-6x3695lm
- UOD-21012-6x43w-6x4042lm
- UOD-21013-3x27w-3x2005lm
- UOD-21014-6x27w-6x2005lm



Odessa 2

- UOD-21021-4x36w-3x3326lm [13']
- UOD-21023-4x36w-3x3326lm [20']
- UOD-21025-4x36w-3x3326lm [26']
- UOD-21026-4x28w-3x2005lm [13']
- UOD-21027-4x28w-3x2005lm [20']
- UOD-21028-4x28w-3x2005lm [26']



Odessa 2

- UOD-21031-4x36w-3x3326lm [15']
- UOD-21033-4x36w-3x3326lm [22']
- UOD-21035-4x36w-3x3326lm [28']
- UOD-21036-4x28w-3x2005lm [13']
- UOD-21037-4x28w-3x2005lm [20']
- UOD-21038-4x28w-3x2005lm [26']



Odessa 11

- UOD-50131-70w-8038lm
- UOD-50132-55w-6310lm
- UOD-50133-55w-6890lm
- UOD-50134-50w-5433lm



Odessa 12

- UOD-50141-60w-5000lm
- UOD-50142-33w RCBW-1432lm
- UOD-50143-44w RGBW-1909lm



Odessa 13

- UOD-50151-70w-8038lm
- UOD-50152-55w-6310lm
- UOD-50153-55w-6890lm
- UOD-50154-50w-5433lm



Odessa 14

- UOD-50161-60w-5000lm
- UOD-50162-33w RGBW-1432lm
- UOD-50163-44w-3665lm
- UOD-50164-44w RGBW-1910lm



Odessa 15

- UOD-50171-70w-8038lm
- UOD-50172-55w-6310lm
- UOD-50173-60w-6890lm
- UOD-50174-50w-5433lm



Odessa 16

- UOD-50181-70w-5000lm
- UOD-50182-55w RGBW-1432lm
- UOD-50183-60w-3665lm
- UOD-50184-50w RGBW-1910lm



Odessa 17

- UOD-80021-70w-8038lm
- UOD-80022-55w-6310lm
- UOD-80023-60w-6890lm
- UOD-80024-50w-5433lm



Odessa 18

- UOD-80031-60w-5000lm
- UOD-80032-33w RGBW-1432lm
- UOD-80033-44w-3665lm
- UOD-80034-44w RGBW-1910lm



Odessa 19

- UOD-21041-3x70w-3x8038lm
- UOD-21042-6x70w-6x8038lm
- UOD-21043-3x55w-3x6310lm
- UOD-21044-6x55w-6x6310lm
- UOD-21045-6x60w-6x6890lm
- UOD-21046-6x60w-6x6890lm
- UOD-21047-6x50w-6x5433lm
- UOD-21048-6x50w-6x5433lm



Odessa 20

- UOD-21051-3x60w-3x5000lm
- UOD-21052-6x60w-6x5000lm
- UOD-21053-3x33w RGBW-3x1432lm
- UOD-21054-6x33w RGBW-6x1432lm
- UOD-21055-3x44w-3x3665lm
- UOD-21056-6x44w-6x3665lm
- UOD-21057-3x44w RGBW-3x1910lm
- UOD-21058-6x44w RGBW-6x1910lm



Odessa 21

- UOD-21061-4x70w-4x8038lm [13']
- UOD-21062-4x70w-4x8038lm [20']
- UOD-21063-4x70w-4x8038lm [26']
- UOD-21064-4x55w-4x6310lm [13']
- UOD-21065-4x55w-4x6310lm [20']
- UOD-21066-4x55w-4x6310lm [26']
- UOD-21071-4x60w-4x6890lm [13']
- UOD-21072-4x60w-4x6890lm [20']
- UOD-21073-4x60w-4x6890lm [26']
- UOD-21077-4x44w-4x3665lm [13']
- UOD-21078-4x44w-4x3665lm [20']
- UOD-21079-4x44w-4x3665lm [26']



Odessa 22

- UOD-21074-4x33w-8038lm [13']
- UOD-21075-4x33w-6310lm [20']
- UOD-21076-4x33w-6890lm [26']
- UOD-21101-4x44w-5433lm [13']
- UOD-21102-4x44w-5433lm [20']
- UOD-21103-55w-5433lm [26']



Odessa 23

- UOD-21081-4x70w-4x8038lm [13']
- UOD-21082-4x70w-4x8038lm [20']
- UOD-21083-4x70w-4x8038lm [26']
- UOD-21084-4x55w-4x6310lm [13']
- UOD-21085-4x55w-4x6310lm [20']
- UOD-21086-4x55w-4x6310lm [26']
- UOD-21091-4x60w-4x6890lm [13']
- UOD-21092-4x60w-4x6890lm [20']
- UOD-21093-4x60w-4x6890lm [26']
- UOD-21097-4x44w-4x3665lm [13']
- UOD-21098-4x44w-4x3665lm [20']
- UOD-21099-4x44w-4x3665lm [26']



Odessa 24

- UOD-21094-4x33w RGBW-4x1432lm
- UOD-21095-4x33w RGBW-4x1432lm
- UOD-21096-4x33w RGBW-4x1432lm
- UOD-21111-4x44w RGBW-4x3665lm
- UOD-21112-4x44w RGBW-4x3665lm
- UOD-21113-4x44w RGBW-4x3665lm