

UAR-21052

Arizona 5 Post Top



37w LED
3519 Lumens

IP65
Suitable for wet locations

IK08
Impact Resistant [Vandal Resistant]

EPA - 1.48

Weight - 43.4 lbs

POLE NOT INCLUDED



Construction

Aluminum

Less than 0.1% copper content – Marine Grade 6060 extruded & LM6 Aluminum High Pressure die casting provides excellent mechanical strength, clean detailed product lines and excellent heat dissipation.

Pre paint

8 step degrease and phosphate process that includes deoxidizing and etching as well as a zinc and nickel phosphate process before product painting.

Memory Retentive -Silicon Gasket

Provided with special injection molded "fit for purpose" long life high temperature memory retentive silicon gaskets. Maintains the gaskets exact profile and seal over years of use and compression.

Thermal management

LM6 Aluminum is used for its excellent mechanical strength and thermal dissipation properties in low and high ambient temperatures. The superior thermal heat sink design by Ligman used in conjunction with the driver, controls thermals below critical temperature range to ensure maximum luminous flux output, as well as providing long LED service life and ensuring less than 10% lumen depreciation at 50,000 hours.

Surge Suppression

Standard 10kv surge suppressor provided with all fixtures.

Finishing

All Ligman products go through an extensive finishing process that includes fettling to improve paint adherence.

Paint

UV Stabilized 4.9Mil thick powder coat paint and baked at 200 Deg C. This process ensures that Ligman products can withstand harsh environments. Rated for use in natatoriums.

Hardware

Provided Hardware is Marine grade 316 Stainless steel.

Anti Seize Screw Holes

Tapped holes are infused with a special anti seize compound designed to prevent seizure of threaded connections, due to electrolysis from heat, corrosive atmospheres and moisture.

High Impact Acrylic Lens

Manufactured with Ultra High Impact, Naturally UV Stabilized Injection Molded Acrylic.

Optics & LED

Precise optic design provides exceptional light control and precise distribution of light. LED CRI > 80

Lumen - Maintenance Life

L80 /B10 at 50,000 hours (This means that at least 90% of the LED still achieve 80% of their original flux)

Streamlined lighting post top.
Clean-lined, smooth round decorative ambient lighting post top with opal lateral diffuser.

The Arizona is an elegant post top that is suitable for both modern and classic architecture. Ideal for creating visual guidance with exceptional visual comfort. The dual sealed optical chamber with integrated heat sinks houses a range of field interchangeable optically controlled LED's, providing Type V distribution.

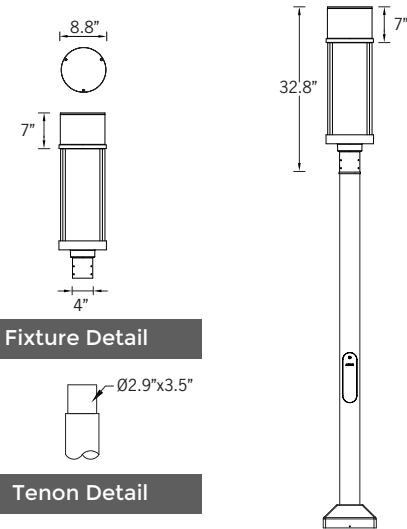
This product range is available in a 28w option for the 6.3" and 37w & 39w for the 8.8" diameter post top. Customer specific wattages can be provided, contact the factory for more information.

This product range is complemented with high performance optics in the wall mounted luminaire and column configuration, to provide a consistent range of design aesthetics for the project. See website for more information.

Additional Options (Consult Factory For Pricing)



A20491
Root Mount Kit

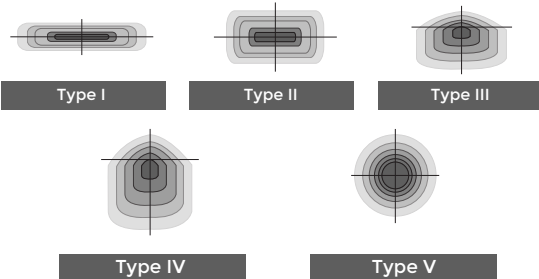


Fixture Detail

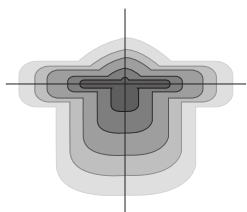
Tenon Detail



Ligman's micro Variable Optical System provides the ability to interchange, mix & rotate optics to provide specific light distributions for optimized spacing and uniformity.



The variable optic system allows for the designer to create hybrid distributions for precise lighting requirements.



HYBRID
TYPE I & TYPE IV



PROJECT		DATE	
----------------	--	-------------	--

QUANTITY		TYPE		NOTE	
-----------------	--	-------------	--	-------------	--

ORDERING EXAMPLE || UAR - 21052 - 37w LED - T2 - W30 - 02 - 120/277v

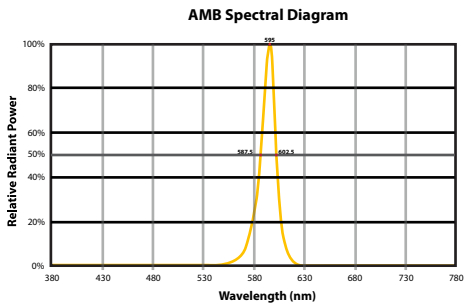
UAR-21052					
LAMP	BEAM	LED COLOR	FINISH COLOR	VOLTAGE	
37w LED 3519 Lumens	T1 - Type I Distribution T2 - Type II Distribution T3 - Type III Distribution T4 - Type IV Distribution	W27 - 2700K W30 - 3000K W35 - 3500K W40 - 4000K	01 - BLACK RAL 9011 02 - DARK GREY RAL 7043 03 - WHITE RAL 9003 04 - METALLIC SILVER RAL 9006 05 - MATTE SILVER RAL 9006 06 - LIGMAN BRONZE 07 - CUSTOM RAL	<div style="display: flex; align-items: center;"> <div style="width: 20px; height: 20px; background-color: black; margin-right: 5px;"></div> 120/277v <div style="width: 20px; height: 20px; background-color: grey; margin-right: 5px; margin-bottom: 5px;"></div> Other - Specify <div style="width: 20px; height: 20px; background-color: white; margin-right: 5px; margin-bottom: 5px;"></div> <div style="width: 20px; height: 20px; background-color: lightgrey; margin-right: 5px; margin-bottom: 5px;"></div> <div style="width: 20px; height: 20px; background-color: silver; margin-right: 5px; margin-bottom: 5px;"></div> <div style="width: 20px; height: 20px; background-color: #8B4513; margin-right: 5px; margin-bottom: 5px;"></div> <div style="width: 20px; height: 20px; background-color: #00008B; margin-right: 5px;"></div> </div>	

--	--	--	--	--	--

ADDITIONAL OPTIONS

- | | |
|------------------------|---------------------------------|
| DIM - 0-10v Dimming | HSS - House Side Shield |
| NAT - Natatorium Rated | A20491 - Root Mount Kit |
| GFCI - GFCI Box | AMB - Turtle Friendly Amber LED |

CITY OF FLAGSTAFF & TURTLE FRIENDLY COMPLIANT



Narrow-Spectrum Amber LEDs
 Peak wavelength between 585 & 595 nanometers and a full width of 50% power no greater than 15 nanometers.

Arizona Product Family



Arizona 1

- UAR-21012-28w-1826lm



Arizona 2

- UAR-20973-39w-3657lm
- UAR-20974-37w-3697lm



Arizona 2

- UAR-20973-21131-39/2x21w
- UAR-20974-21131-37/2x21w



Arizona 2

- UAR-20973-21151-39/3x15w
- UAR-20974-21152-37/3x15w



Arizona 2

- UAR-20973-21161-39/3x15w
- UAR-20974-21162-37/3x15w



Arizona 3

- UAR-20991-50w-4396 lm



Arizona 3

- UAR-20992-85w-9243lm
- UAR-20993-115w-12795lm



Arizona 4

- UAR-21041-28w-1826lm



Arizona 5

- UAR-21051-39w-3657lm
- UAR-21052-37w-3519lm